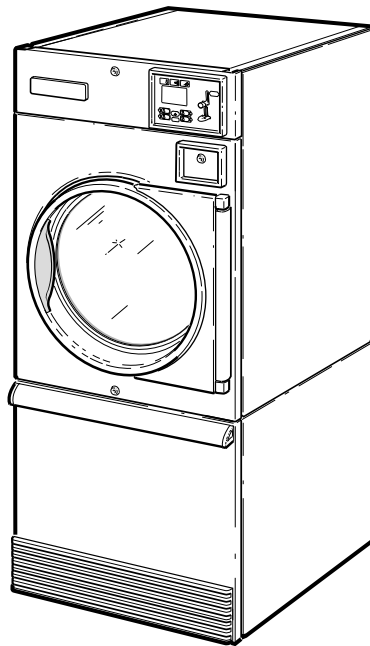


# Drying Tumblers

25 and 30 Pound Capacities

Models Starting Serial No. 0602004144

Refer to Page 5 for Model Numbers



T478C\_70409401

Parts



# Table of Contents

Title	Page
Parts Ordering Information.....	3
Serial Plate Location .....	3
Model Identification .....	5
Product Overview - Heat Source and Voltage .....	6
Product Overview - Control Suffixes (Drawing 1 of 3).....	8
Product Overview - Control Suffixes (Drawing 2 of 3).....	10
Product Overview - Control Suffixes (Drawing 3 of 3).....	12
Single Drop Control Components .....	14
Dual Digital Timer Control Components.....	16
DX4 Control Components .....	18
DMP Control .....	20
OPL Microprocessor Controls.....	22
Coin Drop Components for MDC Models.....	24
BY and BZ Control Option for MDC Models .....	26
Coin Drops .....	28
Coin Drop Kits.....	30
Coin Drop Components for NetMaster Models.....	32
Card Reader Components for NetMaster Models.....	34
Network Board for NetMaster Models.....	36
Coin Drop Components for Quantum Control.....	38
Card Reader Components for Quantum Control .....	40
Network Board for Quantum Control.....	42
Communication Board .....	44
Coin Drop Components for Galaxy 600 Control .....	46
Card Reader Components for Galaxy 600 Control .....	48
UniLinc Control .....	50
LED OPL Control .....	52
Door and Hinge Components .....	54
Front Panel Assemblies and False Fronts .....	56
Cabinet Front Components.....	58
Emergency Stop Button for CE Models .....	60
Lower Cabinet Components .....	62
Lower Cabinet Components - 25 Pound S Models with Hinged Lint Door.....	64
Cylinder and Trunnion Assembly .....	66
Cylinder Components .....	68
Cabinet Components .....	70
Fire Suppression System Components .....	72
Fire Suppression System Control Box.....	74
Drive Motor Components for Nonreversing Models.....	76
Drive Motor Components for Reversing Models .....	78
Blower Components.....	80

© Copyright 2013, Alliance Laundry Systems LLC

All rights reserved. No part of the contents of this book may be reproduced or transmitted in any form or by any means without the expressed written consent of the publisher.

Moisture Sensing Components .....	82
Rotation Sensor .....	84
Airflow Switch.....	86
Gas Burner Housing and Secondary Stove Limit .....	88
Gas Valve Assembly - Non-CE and Non-Australian Gas Models .....	90
Gas Valve and Piping - CE and Australian Gas Models .....	92
Electric Heater Components .....	94
Steam Heater Components .....	96
Control Tray Harnesses for Gas Models.....	98
Control Tray for Non-CE and Non-Australian Gas Models .....	100
Control Tray Components for CE and Australian Gas Models - (Drawing 1 of 2).....	102
Control Tray Components for CE and Australian Gas Models - (Drawing 2 of 2).....	104
Control Tray Harnesses for Steam Models .....	106
Control Tray for Non-CE Steam Models .....	108
Control Tray for CE Steam Models .....	110
Control Tray Harnesses for Electric Models.....	112
Control Tray for Electric Models.....	114
Accessory Box Harnesses for Electric Models.....	116
Accessory Box for Non-CE Electric Models .....	118
Accessory Box for CE Electric Models.....	120
Parts Index.....	123

## Parts Ordering Information

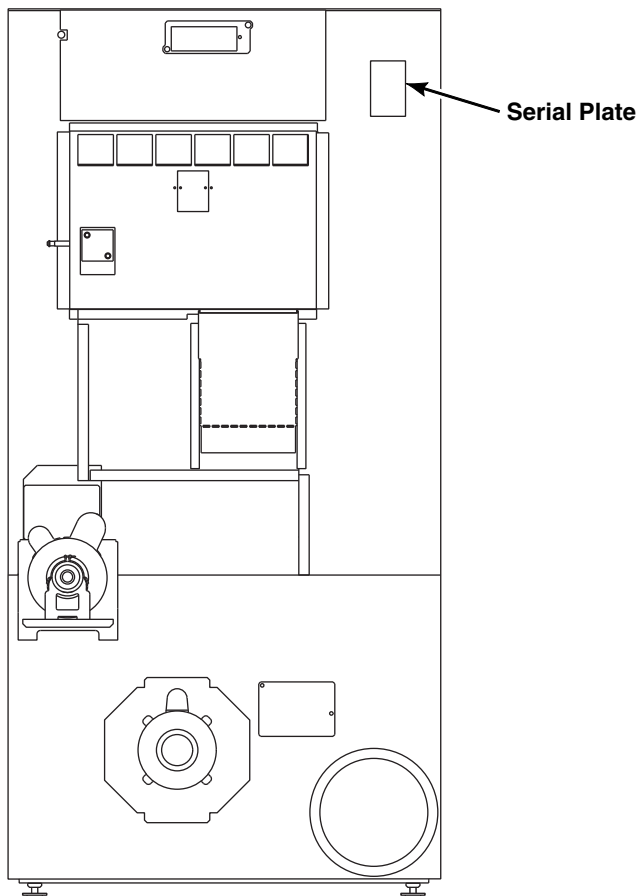
If literature or replacement parts are required, contact the source from whom the machine was purchased or contact Alliance Laundry Systems at (920) 748-3950 for the name and address of the nearest authorized parts distributor.

For technical assistance, call either of the numbers listed below:

(920) 748-3121 Ripon, Wisconsin  
+32 56 41 20 54 Wevelgem, Belgium

## Serial Plate Location

When calling or writing about your product, be sure to mention model and serial numbers. Model and serial numbers are located on serial plate(s) as shown.



TMB2098N\_70409401

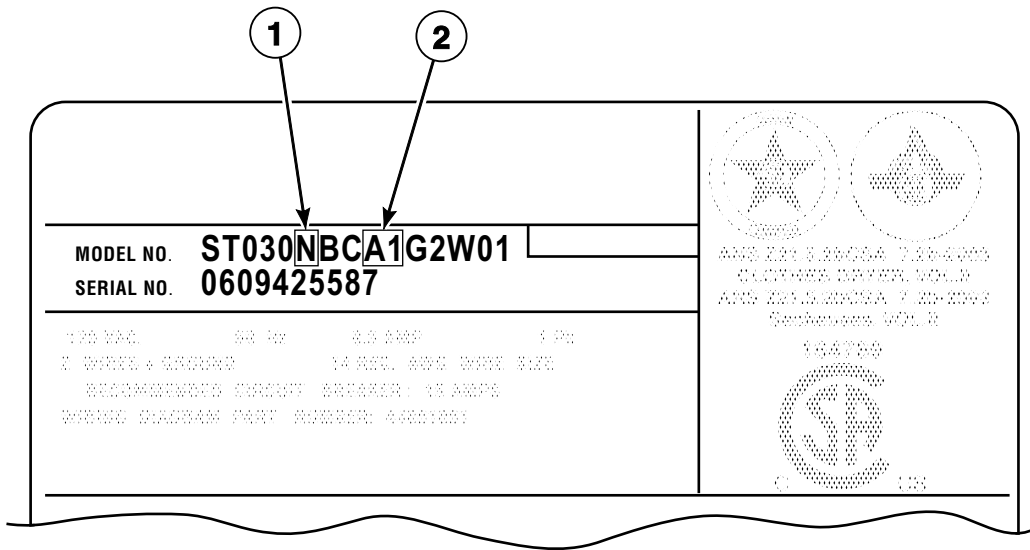


## Model Identification

Information in this manual is applicable to these tumbler models:

CHD25E2-CT025E	GA025L	IPD30E2	LU025E	SU030E
CHD25E2-CU025E	GA025N	IPD30G2	LU025L	SU030L
CHD25G2-CA025L	GA030L	IPD30S2	LU025N	SU030N
CHD25G2-CA025N	GA030N	IT025E	LU025S	SU030S
CHD25G2-CT025L	GK025N	IT025L	LU030E	UA025L
CHD25G2-CT025N	GK030N	IT025N	LU030L	UA025N
CHD25G2-CU025L	GT025E	IT025S	LU030N	UA030L
CHD25G2-CU025N	GT025L	IT030E	LU030S	UA030N
CHD25S2-CT025S	GT025N	IT030L	PA025L	UK025N
CHD25S2-CU025S	GT025S	IT030N	PA025N	UK030N
CHD30E2-CT030E	GT030E	IT030S	PA030L	UT025E
CHD30E2-CU030E	GT030L	KA025L	PA030N	UT025L
CHD30G2-CA030L	GT030N	KA025N	PK025N	UT025N
CHD30G2-CA030N	GT030S	KA030L	PK030N	UT025S
CHD30G2-CT030L	GU025E	KA030N	PT025E	UT030E
CHD30G2-CT030N	GU025L	KK025N	PT025L	UT030L
CHD30G2-CT030N	GU025N	KK030N	PT025N	UT030N
CHD30G2-CU030L	GU025S	KT025E	PT025S	UT030S
CHD30S2-CT030S	GU030E	KT025L	PT030E	UU025E
CHD30S2-CU030S	GU030L	KT025N	PT030L	UU025L
CK025N	GU030N	KT025S	PT030N	UU025N
CK030N	GU030S	KT030E	PT030S	UU025S
DR25E2-BT025E	HA025L	KT030L	PU025E	UU030E
DR25E2-BU025E	HA025N	KT030N	PU025L	UU030L
DR25G2-BA025L	HA030L	KT030S	PU025N	UU030N
DR25G2-BA025N	HA030N	KU025E	PU025S	UU030S
DR25G2-BK025N	HK025N	KU025L	PU030E	YT025E
DR25G2-BT025L	HK030N	KU025N	PU030L	YT025L
DR25G2-BT025N	HT025E	KU025S	PU030N	YT025N
DR25G2-BU025L	HT025L	KU030E	PU030S	YT025S
DR25G2-BU025N	HT025N	KU030L	SA025L	YT030E
DR25S2-BT025S	HT025S	KU030N	SA025N	YT030L
DR25S2-BU025S	HT030D	KU030S	SA030L	YT030N
DR30E2-BT030E	HT030E	LA025L	SA030N	YT030S
DR30E2-BU030E	HT030L	LA025N	SK025N	YU025E
DR30G2-BA030L	HT030N	LA030L	SK030N	YU025L
DR30G2-BA030N	HT030S	LA030N	ST025E	YU025N
DR30G2-BK030N	HU025E	LK025N	ST025L	YU025S
DR30G2-BT030D	HU025L	LK030N	ST025N	YU030E
DR30G2-BT030L	HU025N	LT025E	ST025S	YU030L
DR30G2-BT030N	HU025S	LT025L	ST030D	YU030N
DR30G2-BU030L	HU030E	LT025N	ST030E	YU030S
DR30G2-BU030N	HU030L	LT025S	ST030L	
DR30S2-BT030S	HU030N	LT030E	ST030N	
DR30S2-BU030S	HU030S	LT030L	ST030S	
	IPD25E2	LT030N	SU025E	
	IPD25G2	LT030S	SU025L	
	IPD25S2		SU025N	
			SU025S	

# Product Overview - Heat Source and Voltage



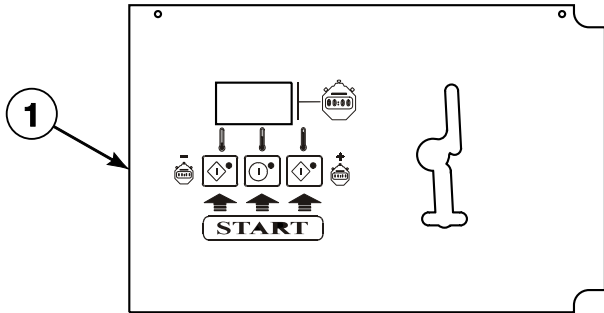
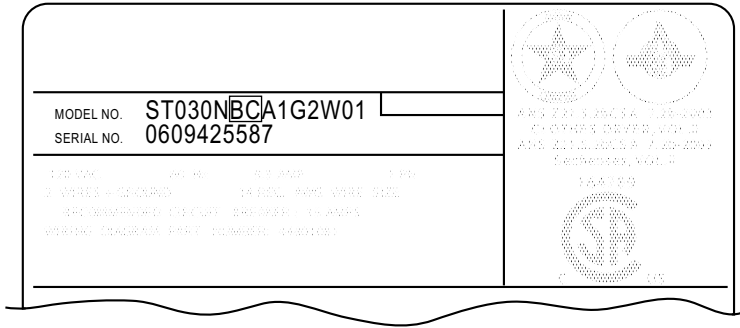
TMB2787P\_70409401



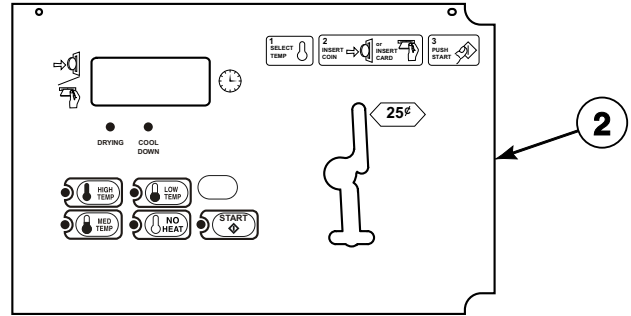
## Product Overview - Heat Source and Voltage

REF	PART NO.	DESCRIPTION	COMMENTS
1	-	Heat Source	D: Liquid Petroleum Gas (L.P) E: Electric L: Liquid Petroleum Gas (L.P.) N: Natural Gas (N.G.) S: Steam
2	-	Voltage	A1: 100, 200 Volt/50 Hertz/1 Phase A2: 100, 200-220 Volt/60Hertz/1 Phase B2: 120, 208-240 Volt/60 Hertz/1 Phase; For high Amp motors B3: 120, 208-240 Volt/60 Hertz/1 Phase; For low Amp motors F1: 200 Volt/50 Hertz/1 Phase F2: 200 Volt/60 Hertz/1 Phase F4: 200 Volt/50 Hertz/3 Phase F5: 200-208 Volt/60 Hertz/3 Phase F6: 200-208, 240 Volt/60 Hertz/3 Phase G1: 208 Volt/60 Hertz/1 Phase G2: 208-240 Volt/60 Hertz/1 Phase J1: 230 Volt/50 Hertz/1 Phase J2: 230-240 Volt/50 Hertz/1 Phase J4: 240 Volt/60 Hertz/1 Phase J5: 230 Volt/50 Hertz/3 Phase J6: 230-240 Volt/50 Hertz/3 Phase J8: 240 Volt/60 Hertz/3 Phase M1: 380 Volt/50 Hertz/3 Phase M2: 380, 400-415 Volt/50 Hertz/3 Phase M3: 380 Volt/60 Hertz/3 Phase N1: 400-415 Volt/50 Hertz/3 Phase N2: 400 Volt/50 Hertz/3 Phase; 25 pound models only P1: 440 Volt/60 Hertz/3 Phase Q1: 460-480 Volt/60 Hertz/3 Phase

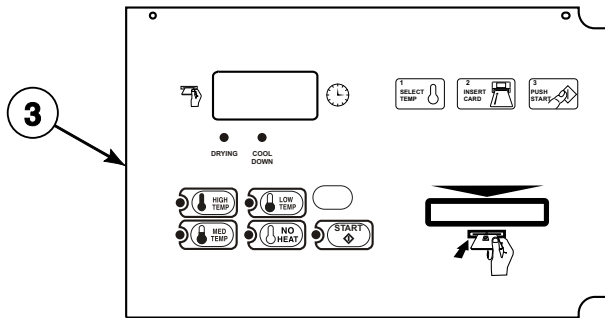
# Product Overview - Control Suffixes (Drawing 1 of 3)



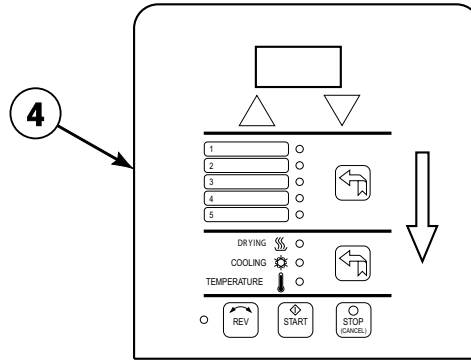
**3B, 3O, 3V, 3W, 3X and R3  
Control Suffixes**



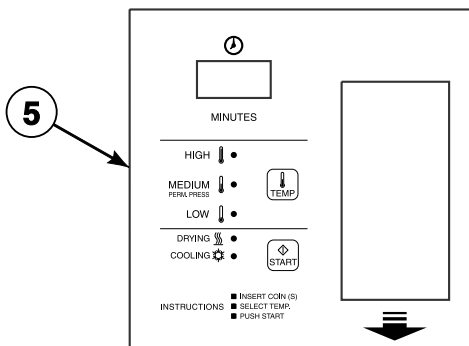
**BB, BC, BW and BX  
Control Suffixes**



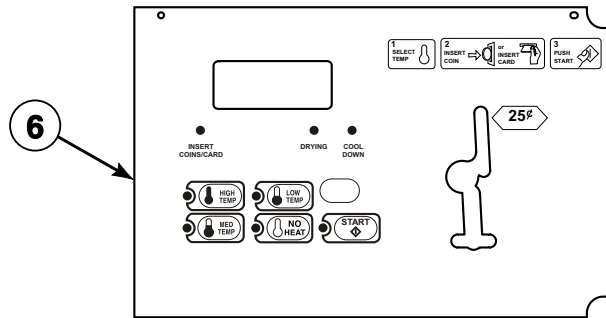
**BL, BY and BZ  
Control Suffixes**



**DO  
Control Suffix**



**DV and DX  
Control Suffixes**



**NC, NX, ZC and ZX  
Control Suffixes**

TMB3183P\_70409401

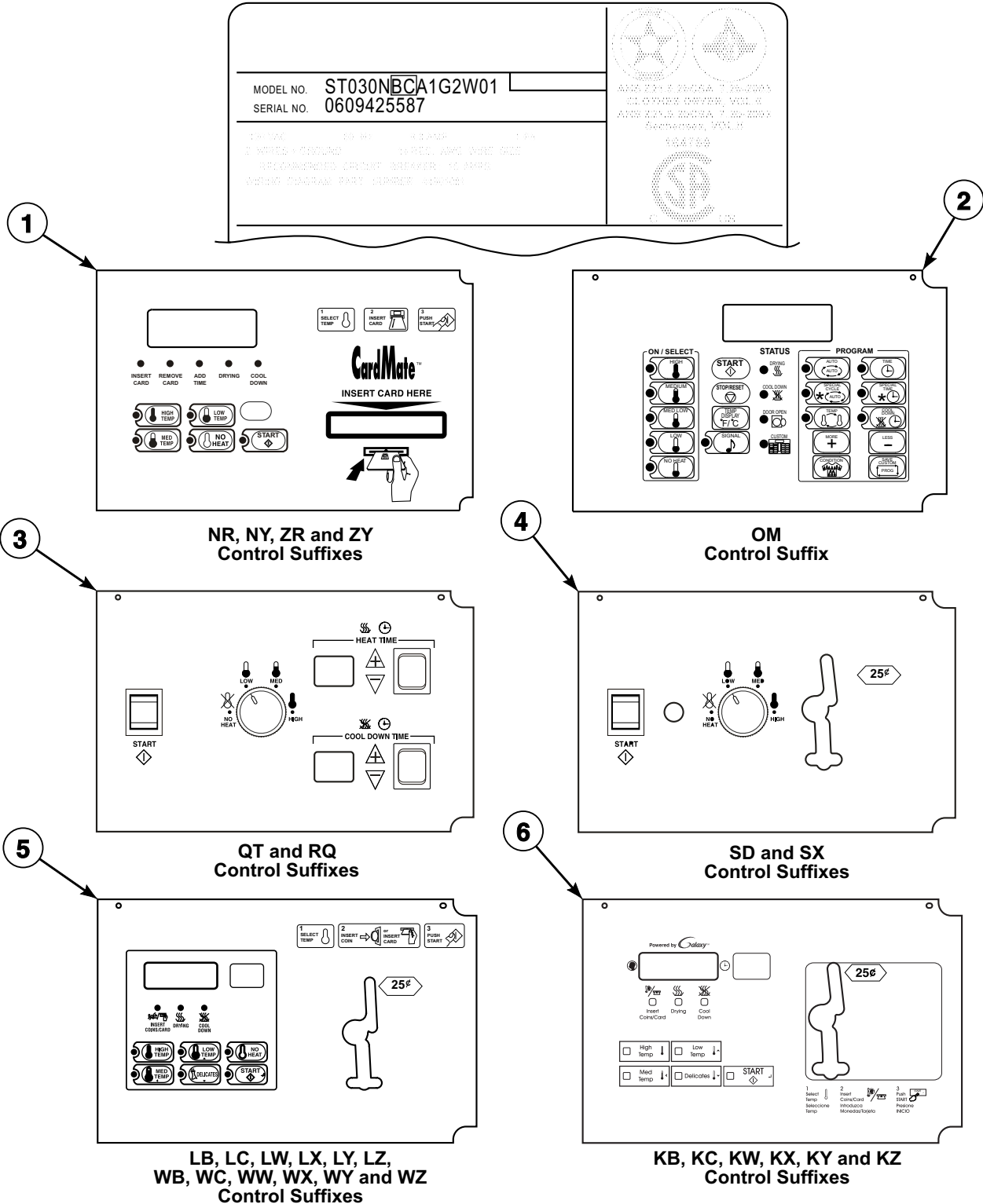
## Product Overview - Control Suffixes (Drawing 1 of 3)

REF	PART NO.	DESCRIPTION	COMMENTS
1	-	Control - Nonreversing	3O: DX4 OPL 3V: DX4 vended 3X: DX4 prep for coin
	-	Control - Reversing	3B: reversing DX4 vended 3W: reversing DX4 prep for coin R3: reversing DX4 OPL
2	-	Control - Nonreversing	BC: basic electronic, coin BX: basic electronic, prep for coin
	-	Control - Reversing	BB: reversing basic electronic, coin BW: reversing basic electronic, prep for coin
3	-	Control - Nonreversing	BL: basic electronic, central pay BY: basic electronic, prep for card
	-	Control - Reversing	BZ: reversing basic electronic, prep for card
4	-	Control - Nonreversing	DO: DMP OPL
5	-	Control - Nonreversing	DV: DMP vended DX: DMP prep for coin
6	-	Control - Nonreversing	NC: NetMaster coin NX: NetMaster, prep for coin ZC: NetMaster network coin ZX: NetMaster network, prep for coin

**NOTE: Coin models have the following control suffixes: 3B, 3V, 3W, 3X, BB, BC, BW, BX, BZ, DV, DX, NC, NX, ZC and ZX**

**NOTE: OPL models have the following control suffixes: 3O, BL, BY, DO and R3**

# Product Overview - Control Suffixes (Drawing 2 of 3)



TMB3181P\_70409401

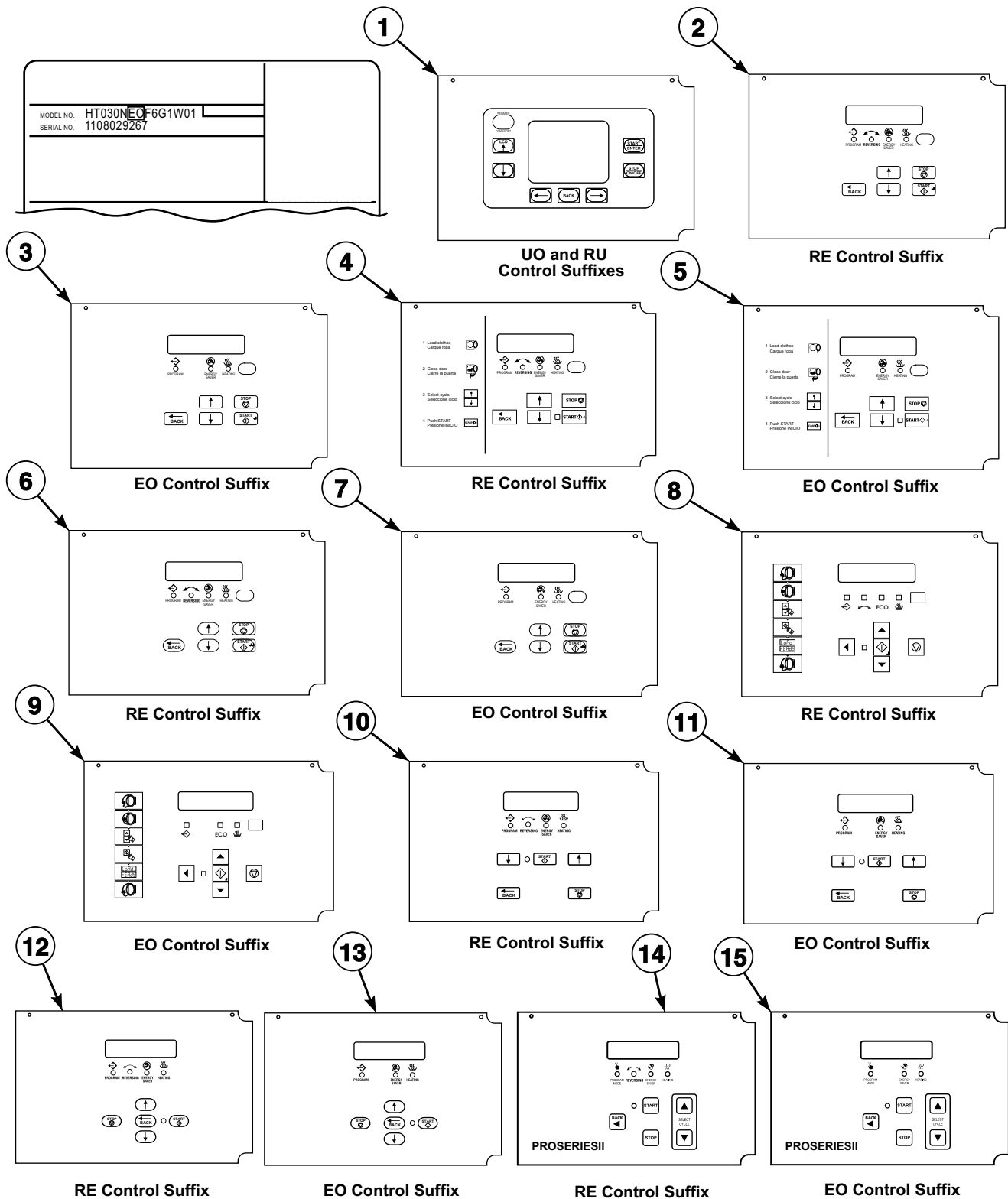
## Product Overview - Control Suffixes (Drawing 2 of 3)

REF	PART NO.	DESCRIPTION	COMMENTS
1	-	Control - Nonreversing	NR: NetMaster card NY: NetMaster, prep for card ZR: NetMaster network card ZY: NetMaster network, prep for card
2	-	Control - Nonreversing	OM: OPL micro
3	-	Control - Nonreversing	QT: dual digital timer
	-	Control - Reversing	RQ: reversing dual digital timer
4	-	Control - Nonreversing	SD: single drop SX: single drop, prep for coin
5	-	Control - Nonreversing	LC: network adaptable coin LX: network adaptable, prep for coin LY: network adaptable, prep for card WC: network ready coin WX: network ready, prep for coin WY: network ready, prep for card
	-	Control - Reversing	LB: reversing network adaptable coin LW: reversing network adaptable, prep for coin LZ: reversing network adaptable, prep for card WB: reversing network ready coin WW: reversing network ready, prep for coin WZ: reversing network ready, prep for card
6	-	Control - Nonreversing	KC: single coin KX: prep for coin KY: prep for card
	-	Control - Reversing	KB: reversing single coin KW: reversing prep for coin KZ: reversing prep for card

**NOTE: Coin models have the following control suffixes: KB, KC, KW, KX, KY, KZ, LB, LC, LW, LX, LY, LZ, SD, SX, WB, WC, WW, WX, WY and WZ**

**NOTE: OPL models have the following control suffixes: NR, NY, OM, QT, RQ, ZR and ZY**

# Product Overview - Control Suffixes (Drawing 3 of 3)



TMB3182P\_70409401

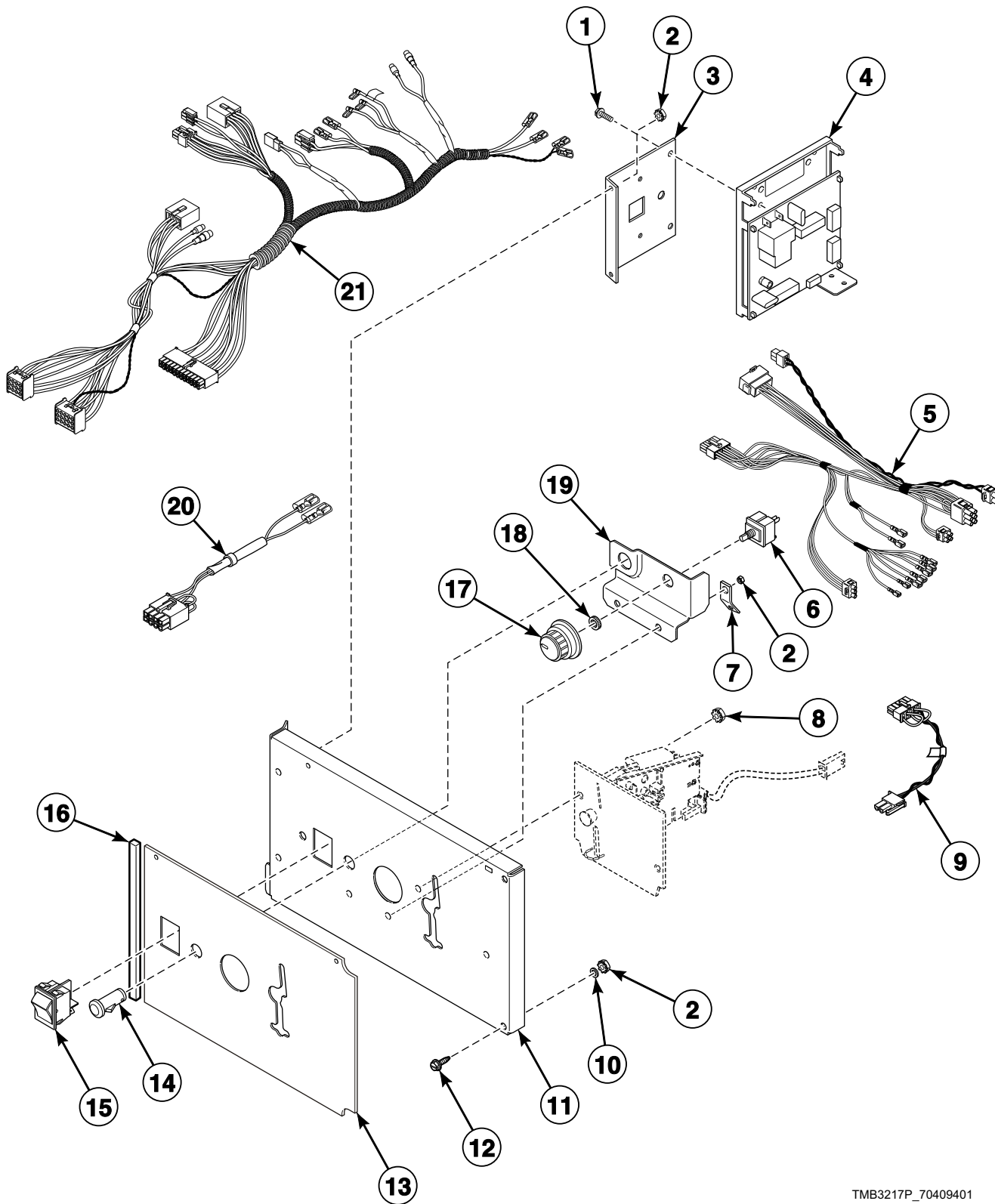
## Product Overview - Control Suffixes (Drawing 3 of 3)

REF	PART NO.	DESCRIPTION	COMMENTS
1	-	Control - Reversing	U models; RU: reversing UniLinc OPL
	-	Control - Nonreversing	U models; UO: UniLinc OPL
2	-	Control - Reversing	S models; RE: reversing LED OPL
3	-	Control - Nonreversing	S models; EO: LED OPL
4	-	Control - Reversing	H models; RE: reversing LED OPL
5	-	Control - Nonreversing	H models; EO: LED OPL
6	-	Control - Reversing	U models; RE: reversing LED OPL
7	-	Control - Nonreversing	U models; EO: LED OPL
8	-	Control - Reversing	C, D and I models; RE: reversing LED OPL
9	-	Control - Nonreversing	C, D and I models; EO: LED OPL
10	-	Control - Reversing	P models; RE: reversing LED OPL
11	-	Control - Nonreversing	P models; EO: LED OPL
12	-	Control - Reversing	L and Y models; RE: reversing LED OPL
13	-	Control - Nonreversing	L and Y models; EO: LED OPL
14	-	Control - Reversing	G and K models; RE: reversing LED OPL
15	-	Control - Nonreversing	G and K models; EO: LED OPL

**NOTE: OPL models have the following control suffixes: EO, RE, RU and UO**

# Single Drop Control Components

C, H, I and S Models with SD and SX Control Suffixes



TMB3217P\_70409401

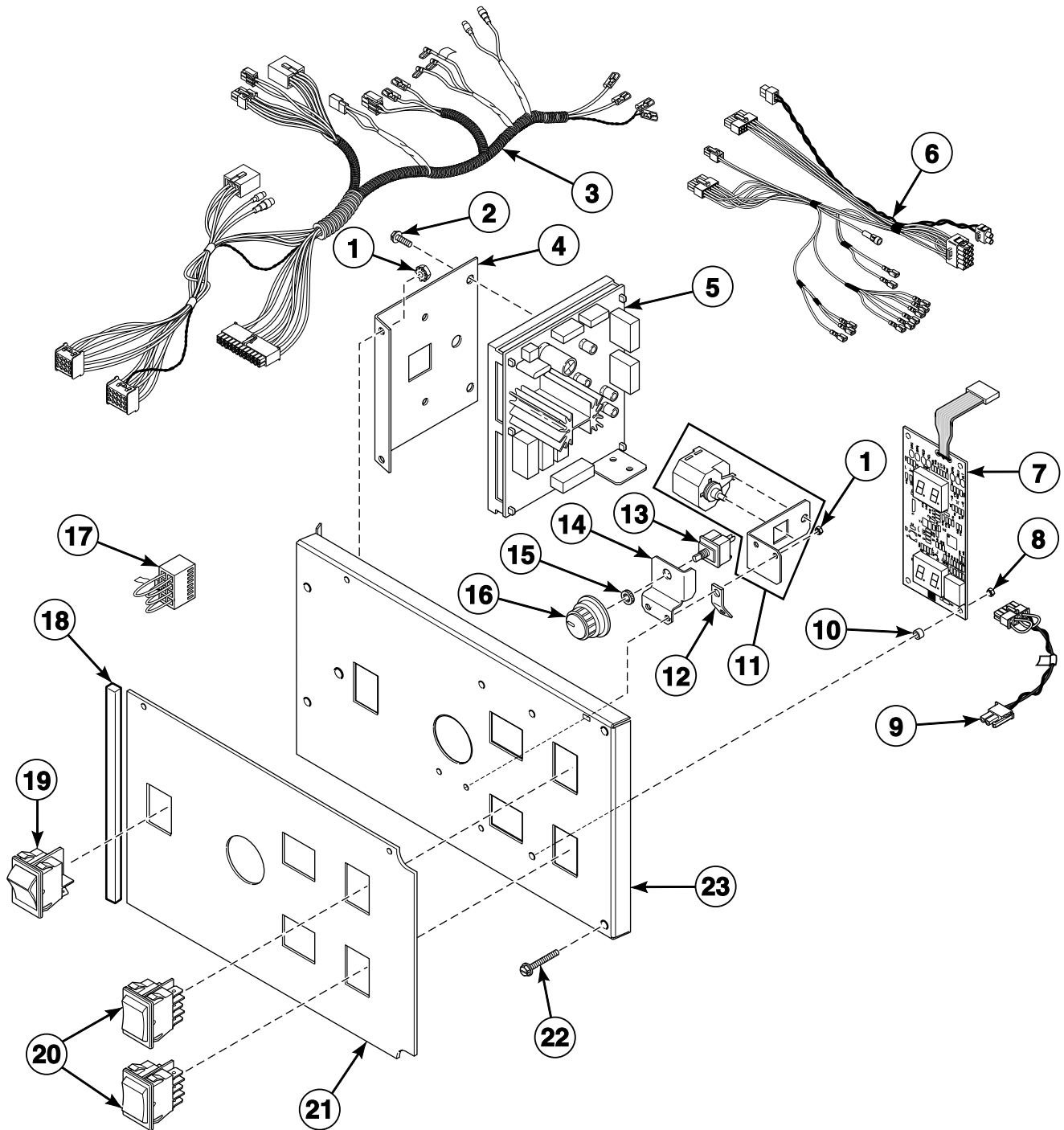


## Single Drop Control Components

REF	PART NO.	DESCRIPTION	COMMENTS
	70370001	Control Set	C, H and S Australian and CE models; Includes items 1-8, 11, 14, 15, 18 and 19
	70370101P	Control Set	All other models; Includes items 1-8, 11, 14, 15, 18 and 19
<b>1</b>	501524	Screw	
<b>2</b>	70054	Nut	
<b>3</b>	70357901	Control Chassis Mounting Bracket	
<b>4</b>	512199P	Control Assembly	Models through Serial No. 0701012067
	513139P	Control Assembly	Models starting Serial No. 0701012068
<b>5</b>	70398401	Control Panel Harness	Australian and CE models
	70369001	Control Panel Harness	All other models
<b>6</b>	511711	Temperature Selector Switch	
<b>7</b>	00177	Male Tab Terminal	
<b>8</b>	29786	Nut	
<b>9</b>	70324601	Jumper Calibration Wire	
<b>10</b>	M405535	Washer	
<b>11</b>	70363401	Control Door Assembly	
<b>12</b>	70069901	Screw	
<b>13</b>	70363001	Overlay	H models
	70362901	Overlay	All other models
<b>14</b>	801431	Light	
<b>15</b>	70455101	Rocker Switch	Start
<b>16</b>	70414101	Foam Gasket	6 inches required; Mounts to front of overlay, even with edge
<b>17</b>	44104601	Temperature Knob	
<b>18</b>	24205	Nut	
<b>19</b>	70350201	Temperature Selector Bracket	
<b>20</b>	70364104P	Coin Vault Switch Harness	Non-CE models
<b>21</b>	70467801	Main Harness	Electric models need 55881 Harness Strap; Models through 7/31/11 and starting again 7/9/12
	70441301	Main Harness	Electric models need 55881 Harness Strap; Models starting 8/1/11 through 7/8/12

# Dual Digital Timer Control Components

C, H, I, L, P, S, U and Y Models  
G and K Models Starting 1/16/12  
Models with QT and RQ Control Suffixes



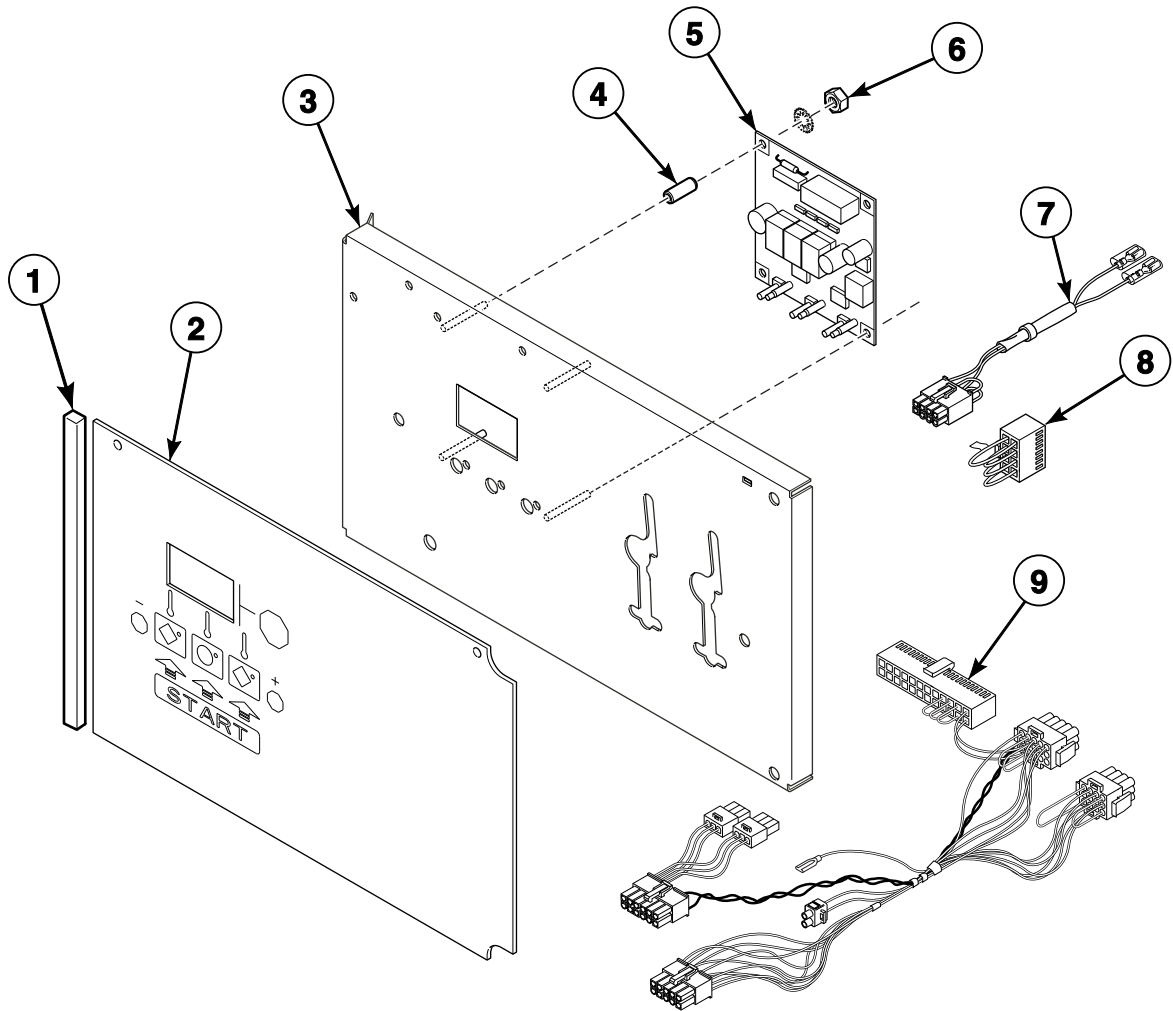
TMB3011P\_70409401

## Dual Digital Timer Control Components

REF	PART NO.	DESCRIPTION	COMMENTS
	70370201P	Control Set	Includes items 1, 2, 4-8, 10, 12-16, 19, 20 and 23
1	70054	Nut	
2	501524	Screw	
3	70467801	Main Harness	Electric models need 55881 Harness Strap; Models through 7/31/11 and starting again 7/9/12
	70441301	Main Harness	Electric models need 55881 Harness Strap; Models starting 8/1/11 through 7/8/12
4	70357901	Control Chassis Mounting Bracket	
5	512202P	Control Assembly	
6	70367001P	Control Panel Harness	
7	512218P	Display Assembly	
8	29787	Nut	
9	70324601	Jumper Calibration Wire	
10	56079	Panel Locator	
11	M4860P3	Buzzer Kit	Includes buzzer, bracket and harness
12	00177	Male Tab Terminal	
13	511711	Temperature Selector Switch	
14	70391701	Temperature Selector Switch Bracket	
15	24205	Nut	
16	44104601	Temperature Knob	
17	70364103	Bypass Harness	Non-CE models
18	70414101	Foam Gasket	6 inches required; Mounts to front of overlay, even with edge
19	70455101	Rocker Switch	Start
20	70461301	Rocker Switch	
21	70362201	Overlay	C, G, I, K, L, S, U and Y models; Nonreversing
	70362202	Overlay	C, G, I, K, L, S, U and Y models; Reversing
	70362501	Overlay	H models; Nonreversing
	70362502	Overlay	H models; Reversing
	70362401	Overlay	P models; Nonreversing
	70362402	Overlay	P models; Reversing
22	70069901	Screw	
23	70360601	Control Plate Assembly	

# DX4 Control Components

D and I Models with 3B, 3O, 3V, 3W, 3X and R3 Control Suffixes



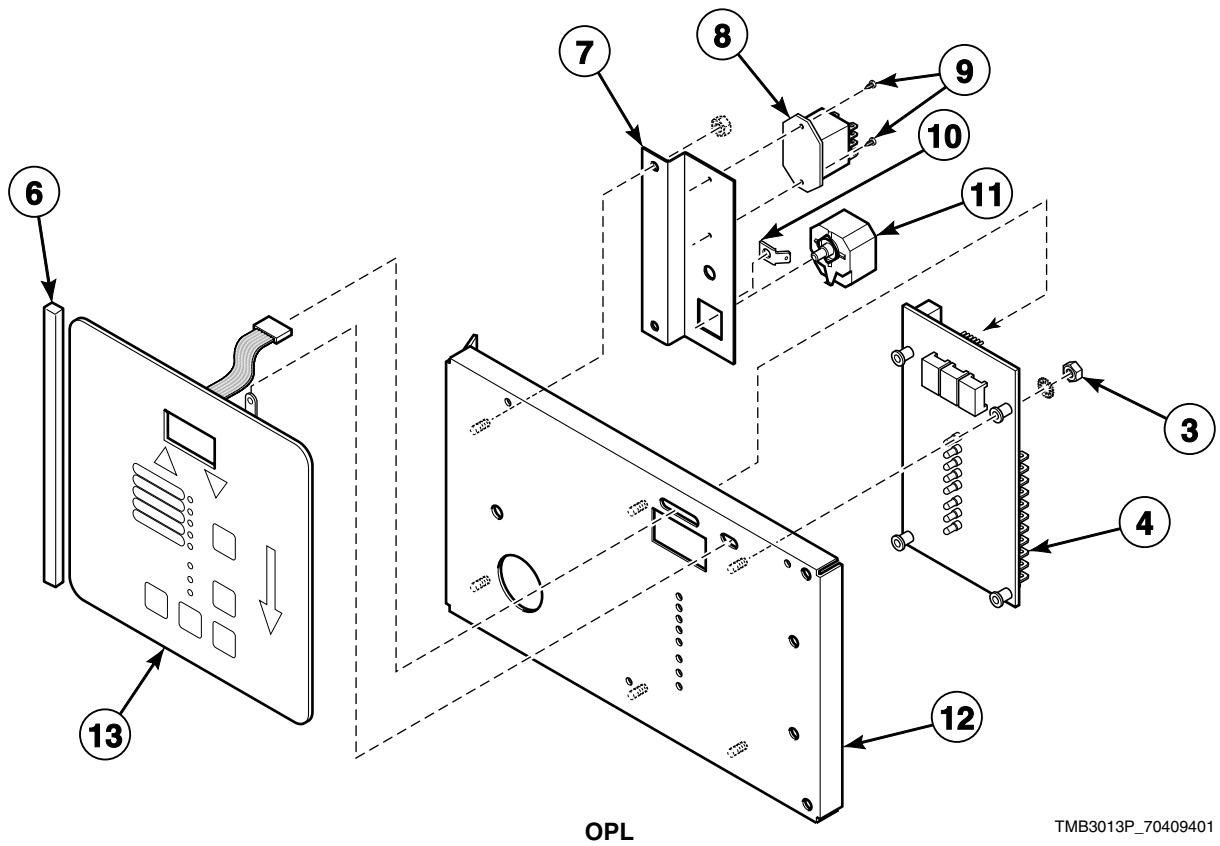
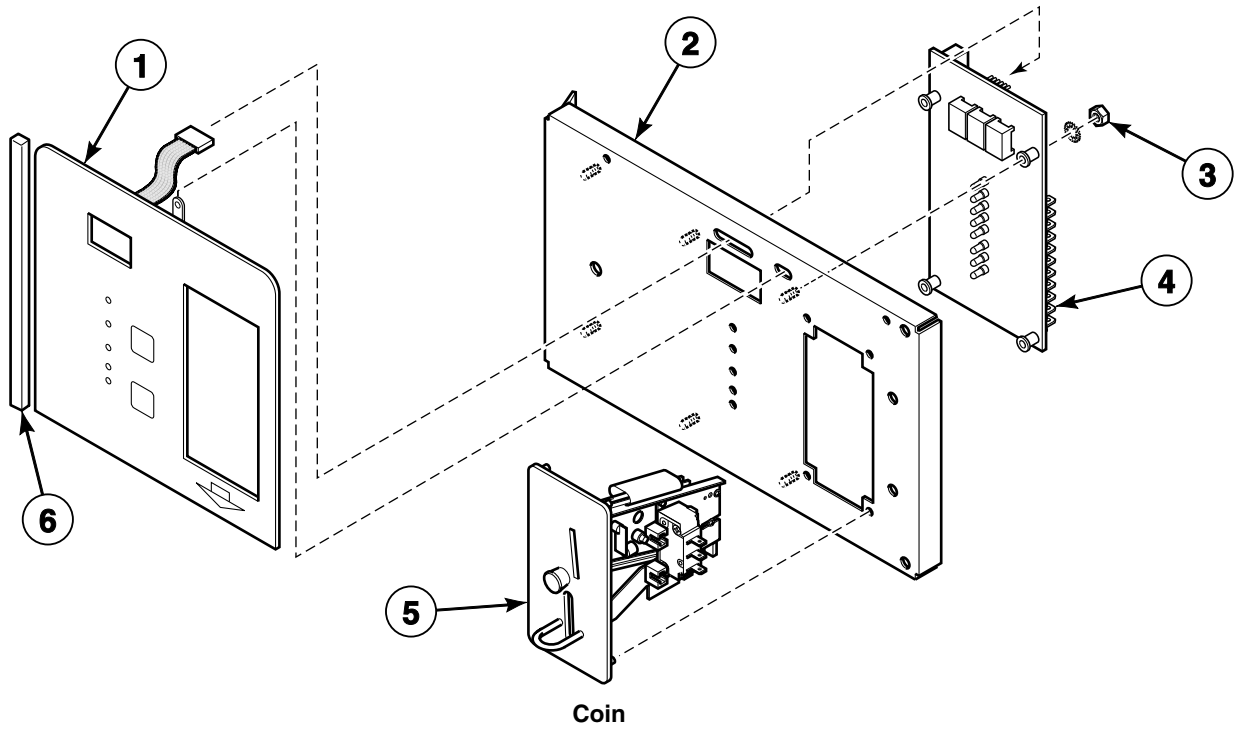
TMB3218P\_70409401

## DX4 Control Components

REF	PART NO.	DESCRIPTION	COMMENTS
1	70414101	Foam Gasket	6 inches required; Mounts to front of overlay, even with edge
2	44050401	Graphic Overlay	OPL; Models through 7/31/11
	44240501	Graphic Overlay	OPL; Models starting 8/1/11
	44050501	Graphic Overlay	Coin; Single drop; Models through 7/31/11
	44239401	Graphic Overlay	Coin; Single drop; Models starting 8/1/11
	44050502	Graphic Overlay	Coin; Dual drop; Models through 7/31/11
	44239402	Graphic Overlay	Coin; Dual drop; Models starting 8/1/11
3	44050701P	Control Plate Kit	
4	44050601	Sleeve	4 required
5	70462301P	Control Assembly	3O control suffix
	70462302P	Control Assembly	R3 control suffix
	70462361P	Control Assembly	3V and 3X control suffixes
	70462362P	Control Assembly	3B and 3W control suffixes
6	29787	Nut	
7	70364104P	Coin Vault Switch Harness	3V and 3B control suffixes; Non-CE models
8	70364103	Bypass Harness	3O, 3W, 3X and R3 control suffixes; Non-CE models
9	70315701	Control Panel Harness Assembly	Australian and CE models
	70315601P	Control Panel Harness	All other models

# DMP Control

C and I Models with DO, DV and DX Control Suffixes  
Coin Models Through 4/1/10; OPL Models Through 7/31/11



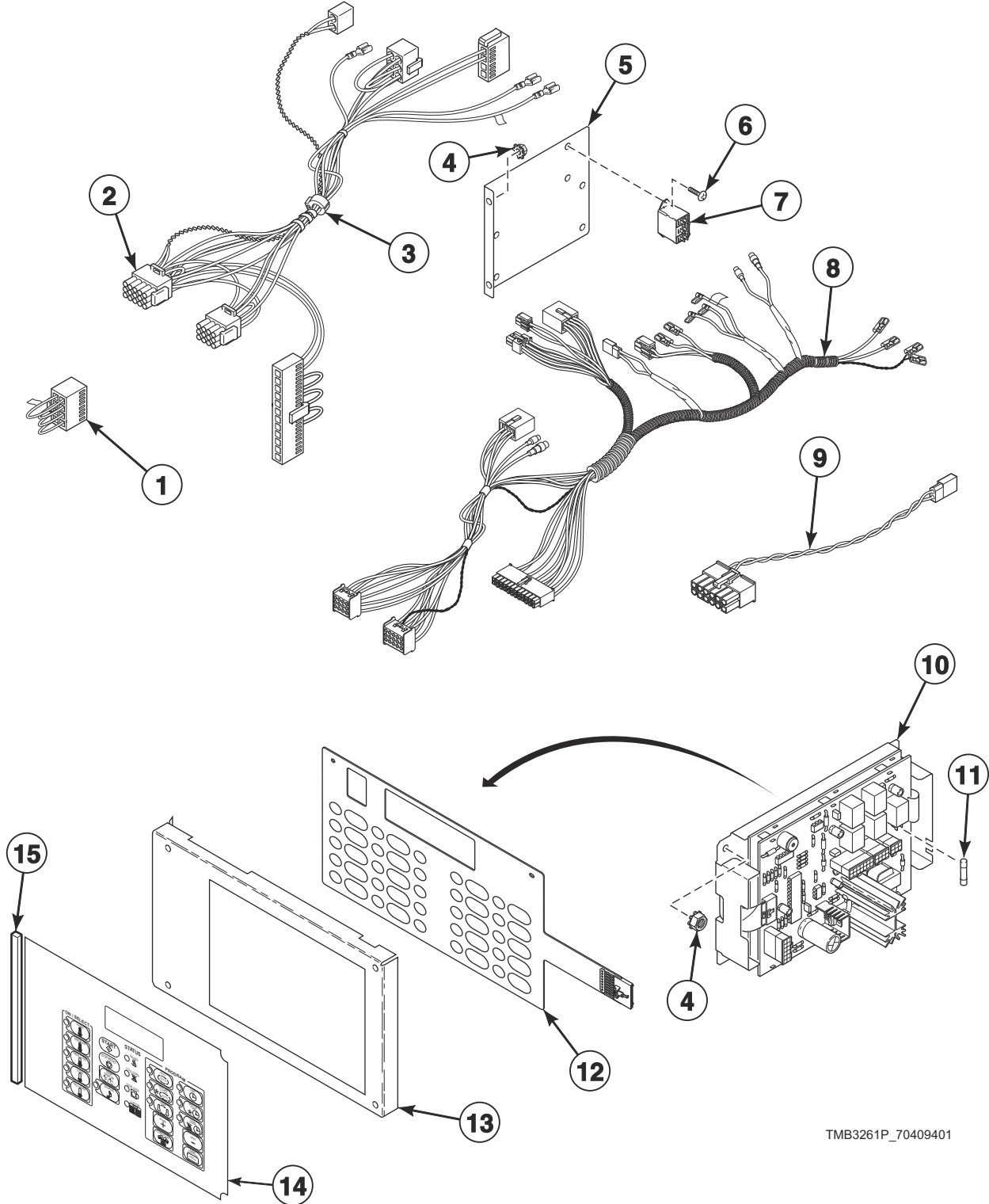
TMB3013P\_70409401

## DMP Control

REF	PART NO.	DESCRIPTION	COMMENTS
1	44039402P	Membrane Switch	Coin; DV and DX control suffixes
2	44041001	Control Plate Assembly	Coin; Includes studs; DV and DX control suffixes
3	29787	Nut	
4	44037801P	Electronic Control	
5	44039701P	Coin Drop Assembly	United States; \$.25
	44039702	Coin Drop Assembly	Mexico; 2 peso
	44039703	Coin Drop Assembly	Token; .880
	44039704	Coin Drop Assembly	Japan; 100 yen
	44039705	Coin Drop Assembly	England; 20 pence
	44039706	Coin Drop Assembly	Token; .800
	44039707	Coin Drop Assembly	England; 50 pence
6	70414101	Foam Gasket	6 inches required; Mounts to front of overlay, even with edge
7	44041701	Relay/Buzzer Bracket	
8	M412534	Relay	
9	M402797	Screw	
10	00177	Male Tab Terminal	
11	505447	Adjustable Buzzer	
12	44040901	Control Plate Assembly	OPL; Includes studs; DO control suffix
13	44037901P	Membrane Switch	OPL; DO control suffix

# OPL Microprocessor Controls

G, L and P Models  
H, S and U Models Through 7/31/11  
25 Pound K Models  
Models with OM Control Suffix



TMB3261P\_70409401

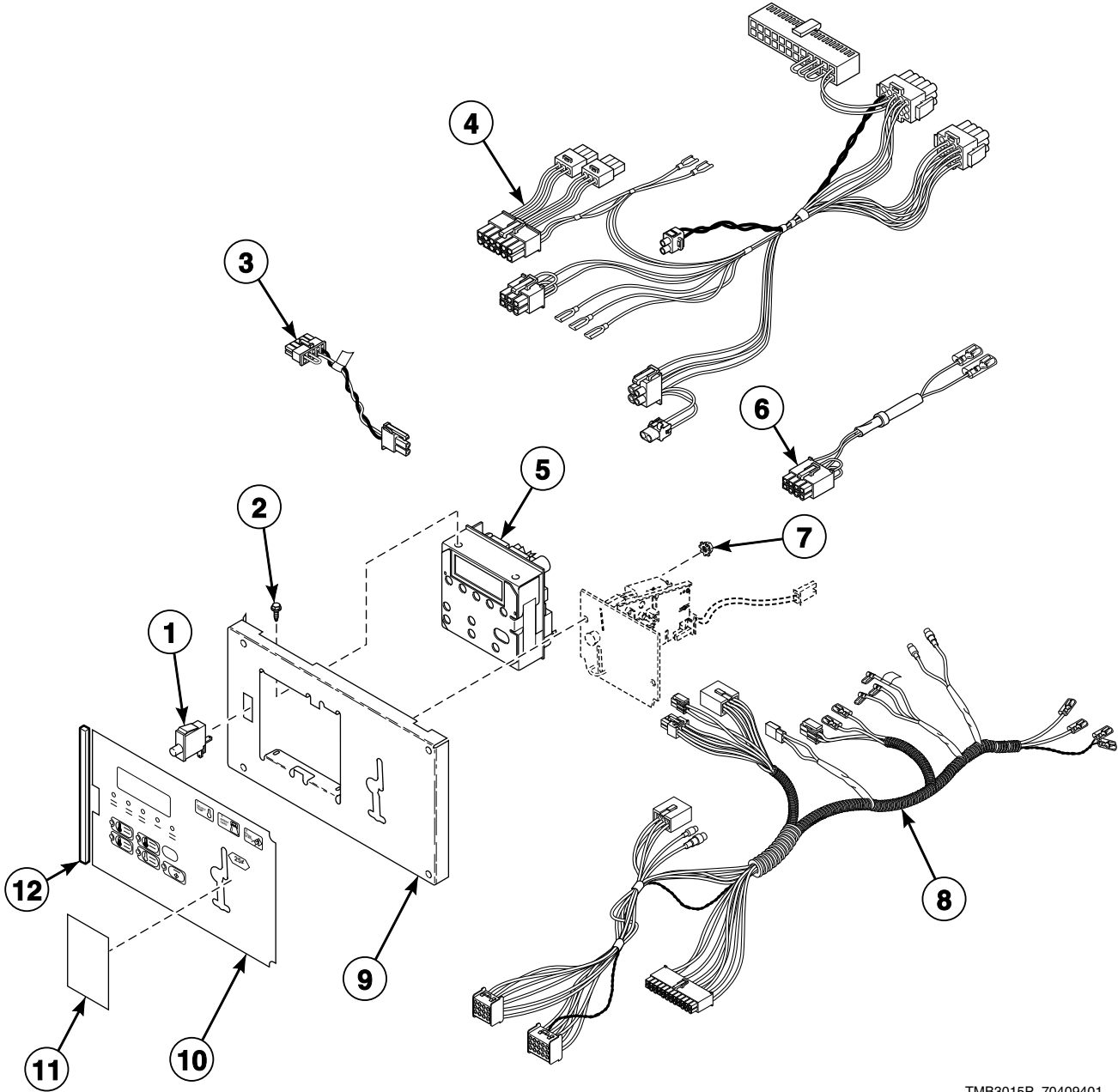


## OPL Microprocessor Controls

REF	PART NO.	DESCRIPTION	COMMENTS
	M4689P3	Electronic OPL Control Kit	GT, HT, KT, LT, PT, ST and UT models; Dual secondary transformers (M414228 Transformer for 100-240 VAC and M414229 Transformer for 380-480 VAC) must be used with this kit; Does not include overlay or harness
	M4695P3	Electronic OPL Control Kit	All other models
	M4457P3	RC Filter Kit	Includes (2) F330217P RC Filter and instructions
<b>1</b>	70364103	Bypass Harness	Non-CE models
<b>2</b>	70335301P	Control Panel Harness	GT, HT, KT, LT, PT, ST and UT models
	70382701P	Control Panel Harness	All other models
<b>3</b>	M413930P	Ferrite Core Assembly	
<b>4</b>	70054	Nut	
<b>5</b>	70063501	Mounting Bracket	GA, GU, HA, HU, KA, KU, LA, LU, PA, PU, SA, SU, UA and UU models; Used with 70382701P Control Panel Harness
<b>6</b>	M402797	Screw	GA, GU, HA, HU, KA, KU, LA, LU, PA, PU, SA, SU, UA and UU models; 2 required; Used with 70382701P Control Panel Harness; 2 required
<b>7</b>	M412534	Relay	GA, GU, HA, HU, KA, KU, LA, LU, PA, PU, SA, SU, UA and UU models; Used with 70382701P Control Panel Harness
<b>8</b>	70467801	Main Harness	Electric models need 55881 Harness Strap; Models through 7/31/11 and starting again 7/9/12
	70441301	Main Harness	Electric models need 55881 Harness Strap; Models starting 8/1/11 through 7/8/12
<b>9</b>	70084303	Jumper Calibration Assembly	
<b>10</b>	70228401P	Control Kit	
<b>11</b>	70406501	Fuse	1.25 Amp
<b>12</b>	M414368	Membrane Switch	
<b>13</b>	70175805	Control Plate Assembly	GT, HT, KT, LT, PT, ST and UT models; Includes studs
	70175806	Control Plate Assembly	All other models; Includes studs
<b>14</b>	70115801	Overlay	L, P, S, and U models; Icon and English
	70130401	Overlay	L, P, S, and U models; Icon
	70128701	Overlay	H models; Icon and English
	70130601	Overlay	H models; Icon and English
	44130002	Overlay	G and K models
<b>15</b>	70414101	Foam Gasket	6 inches required; Mounts to front of overlay, even with edge

# Coin Drop Components for MDC Models

G, H, K, L, P, and S Models with BB, BC, BL, BW and BX Control Suffixes



TMB3015P\_70409401

## Coin Drop Components for MDC Models

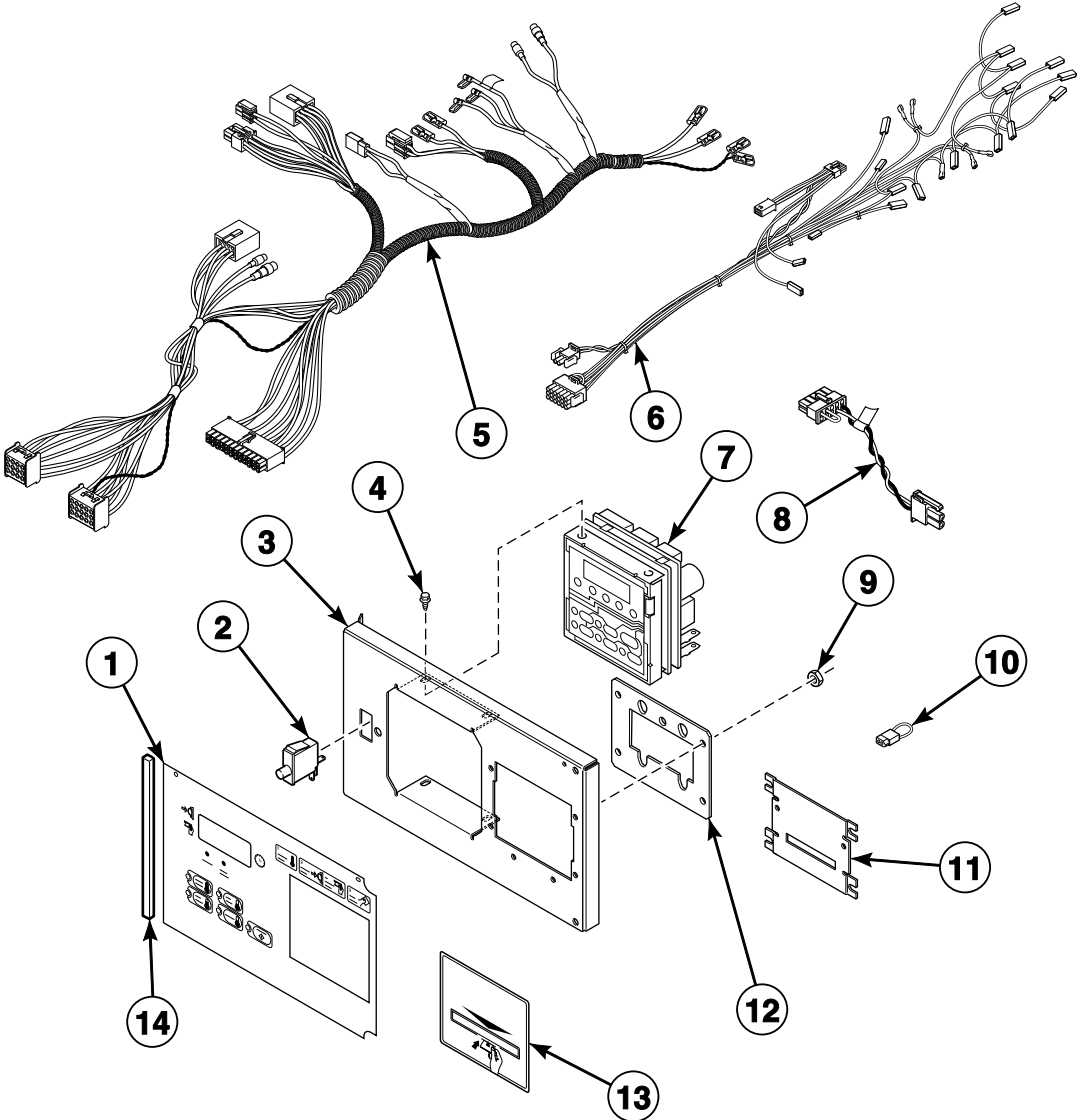
REF	PART NO.	DESCRIPTION	COMMENTS
1	70413301	Pushbutton Switch	
2	501524	Screw	4 required for mounting control
3	70324601	Jumper Calibration Wire	
4	70368001P	Control Panel Harness	GT, HT, KT, LT, PT and ST models; Control panel to main harness
	70315501P	Control Panel Harness	All other models; Control panel to main harness
5	511867P	Control Assembly	
6	70364104P	Coin Vault Switch Harness	Non-CE models
7	70054	Nut	3 required
8	70467801	Main Harness	Electric models need 55881 Harness Strap; Models through 7/31/11 and starting again 7/9/12
	70441301	Main Harness	Electric models need 55881 Harness Strap; Models starting 8/1/11 through 7/8/12
9	70175807	Control Plate Assembly	
10	70257701	Overlay	L and S models; BC, BL* and BX control suffixes; Text; Single drop
	70261001	Overlay	L and S models; BC, BL* and BX control suffixes; Icon; Single drop
	70257702	Overlay	L and S models; BC and BX control suffixes; Text; Dual drop
	70261002	Overlay	L and S models; BC and BX control suffixes; Icon; Dual drop
	70258001	Overlay	H models; BC, BL* and BX control suffixes; Text; Single drop
	70261201	Overlay	H models; BC, BL* and BX control suffixes; Icon; Single drop
	70258002	Overlay	H models; BC and BX control suffixes; Text; Dual drop
	70261202	Overlay	H models; BC and BX control suffixes; Icon; Dual drop
	70259001	Overlay	P models; BL* control suffix
	70258101	Overlay	H models; BC, BL* and BX control suffixes; Text; Single drop
	70453001	Overlay	G and K models; Text; Single drop
	70453002	Overlay	G and K models; Text; Dual drop
11	39564	Coin Drop Overlay	S models; BL* control suffix; Cover
	70246301	Coin Cover Overlay	G, H, K and L models; BL* control suffix; Cover
	70286701	Overlay	P models; BL* control suffix; Cover
	70321001	Overlay	P models; BC** and BX** control suffixes; Single drop; Right side
	70129501	Overlay	P models; BC** and BX** control suffixes; Single drop; Left side
	70129601	Overlay	P models; BC** and BX** control suffixes; Dual drop
12	70414101	Foam Gasket	6 inches required; Mounts to front of overlay, even with edge

\* NOTE: BL control suffix requires an overlay and overlay cover specific to model.

\*\* NOTE: P models with BC or BX control suffixes require an overlay and coin drop overlay.

# BY and BZ Control Option for MDC Models

H, K, L and S Models



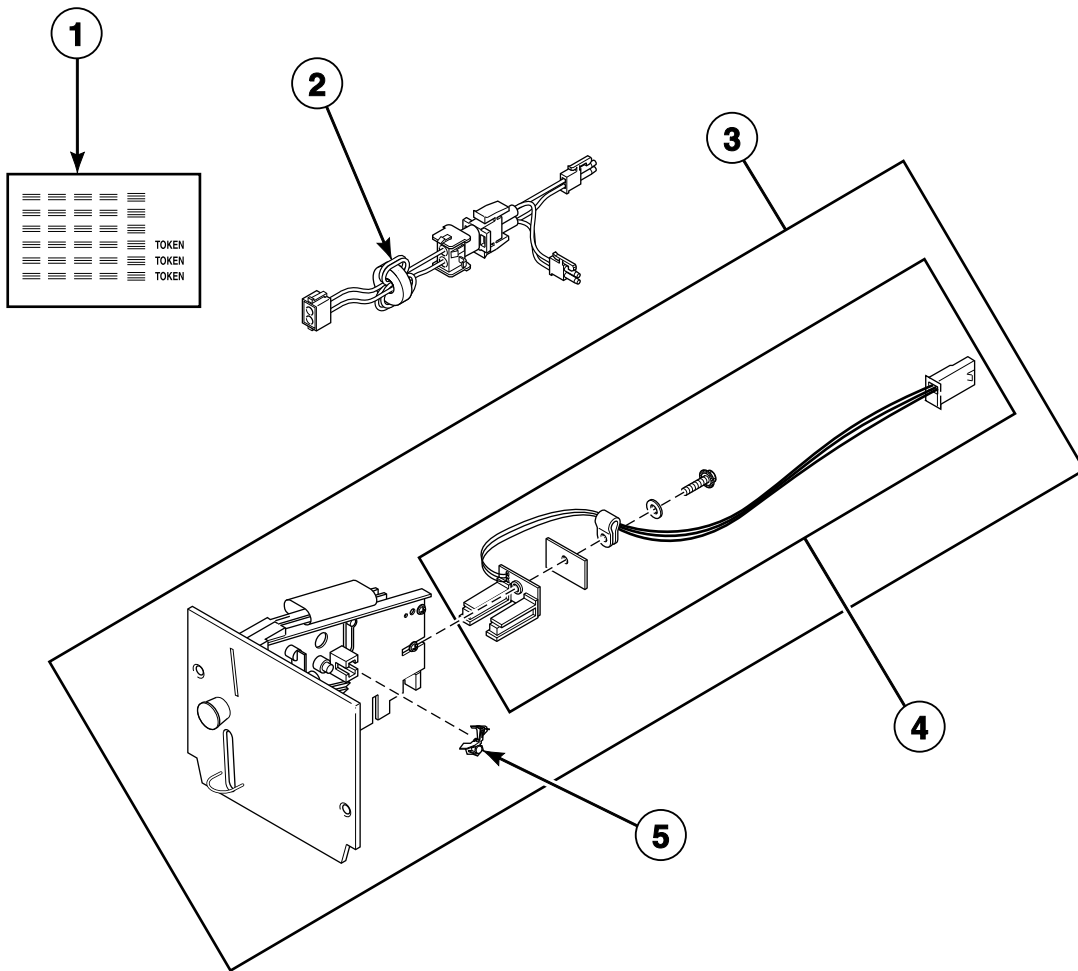
TMB3016P\_70409401

## BY and BZ Control Option for MDC Models

REF	PART NO.	DESCRIPTION	COMMENTS
1	70257703	Overlay	L and S models; Text or icon
	70258003	Overlay	H models; Text or icon
	70453101	Overlay	K models
2	70413301	Pushbutton Switch	
3	70348801	Control Plate Assembly	
4	501524	Screw	4 required
5	70467801	Main Harness	Electric models need 55881 Harness Strap; Models through 7/31/11 and starting again 7/9/12
	70441301	Main Harness	Electric models need 55881 Harness Strap; Models starting 8/1/11 through 7/8/12
6	70368001P	Control Panel Harness	HT, KT, LT and ST models
	70315501P	Control Panel Harness	All other models
7	511867P	Control Assembly	
8	70324601	Jumper Calibration Wire	
9	70054	Nut	
10	70364103	Bypass Harness	Non-CE models
11	44089501	Slot Card Plate Assembly	Included in literature packet
12	70208801	Mounting Plate	
13	70334201	Card Reader Overlay	Black; Included in literature packet
	70334301	Card Reader Overlay	Gray; Included in literature packet
14	70414101	Foam Gasket	6 inches required; Mounts to front of overlay, even with edge

# Coin Drops

All Models Except U Models



TMB2921P\_70409401

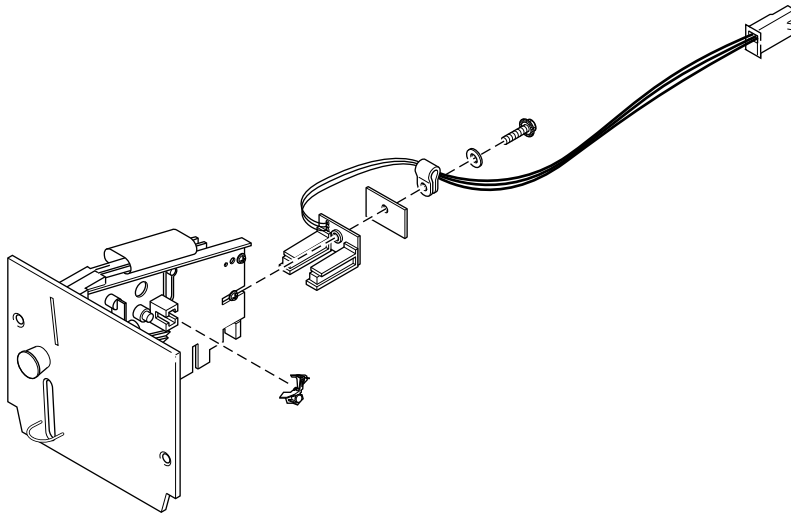
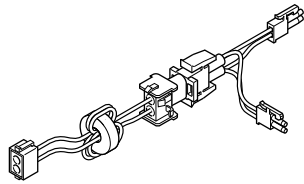
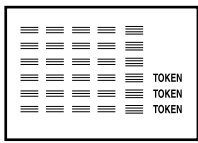
# Coin Drops

REF	PART NO.	DESCRIPTION	COMMENTS
1	38725	Coin Identification Paper	
2	44065801	Electronic Coin Drop Harness	
3	70294103P	Electronic Coin Drop Assembly	United Kingdom (default) and Europe
	70294104	Electronic Coin Drop Assembly	Europe (default), Denmark and Norway
	70294105P	Electronic Coin Drop Assembly	Australia (default), New Zealand, Hong Kong, South Korea and Malaysia
	70294106	Electronic Coin Drop Assembly	Mexico (default), Ecuador and United States
	70294107	Electronic Coin Drop Assembly	Lithuania (default), Latvia and Europe
	70294111	Electronic Coin Drop Assembly	Euro; .10, .20, .50, 1.00 and 2.00
	70294116	Electronic Coin Drop Assembly	Malaysia (default) and China
	70294117	Electronic Coin Drop Assembly	Russia; 5.00 and 10.00
	70294119	Electronic Coin Drop Assembly	Thailand; 1, 5 and 10 Baht
	70294120	Electronic Coin Drop Assembly	Chile; Chelean peso
	70294121	Electronic Coin Drop Assembly	Singapore
	70441601P	Coin Drop	USA; \$.25
	70256402P	Coin Drop	USA; Dual; \$.25 and \$1.00
	70429001	Coin Drop	D models; USA
	38475	Coin Drop Assembly	Japan; 100 yen
	38519	Coin Drop Assembly	Japan; 100 and 500 yen
	38467	Coin Drop Assembly	Australia; .20 and 1.00
	70447301	Coin Drop Assembly	Australia; 1.00 and 2.00
	70482401	Coin Drop Assembly	New Zealand; 1.00 and 2.00
	39748	Coin Drop	Token; Jeton; HU, LU, PU and SU models
	210195	Coin Drop Assembly	Euro; .20 and 1.00
	210196	Coin Drop Assembly	Euro; .50 and 1.00
	38462P	Coin Drop Assembly	Token; STD-118-1
	38463	Coin Drop Assembly	Token; STD-118-5
	70471601	Coin Drop Assembly	Token; 7K
	38464P	Coin Drop Assembly	Canada; .25
	70441602	Coin Drop Assembly	Canada; .25 and 1.00
38472	Coin Drop Assembly	England; 20 pence and 1 pound	
N/A	Coin Drop Assembly	Denmark; 1 and 5 DKK; May replace with 70294104P Electronic Coin Drop Assembly	
38521	Coin Drop Assembly	Korea; 100 and 500 won	
38963P	Coin Drop	Token; STD-118-16	
N/A	Coin Drop Assembly	Taiwan; Dual; 5 and 10 NT; May replace with CK113 Electronic Coin Drop Kit	
39157	Coin Drop Assembly	Israel; Shekel	
CK077	Coin Drop Kit	Taiwan; 10 NT	
4	200674P	Opto Coupler	
5	201595P	Wire Guard	

**N/A = Part no longer available**

# Coin Drop Kits

All Models Except U Models



TMB2921PA\_70409401

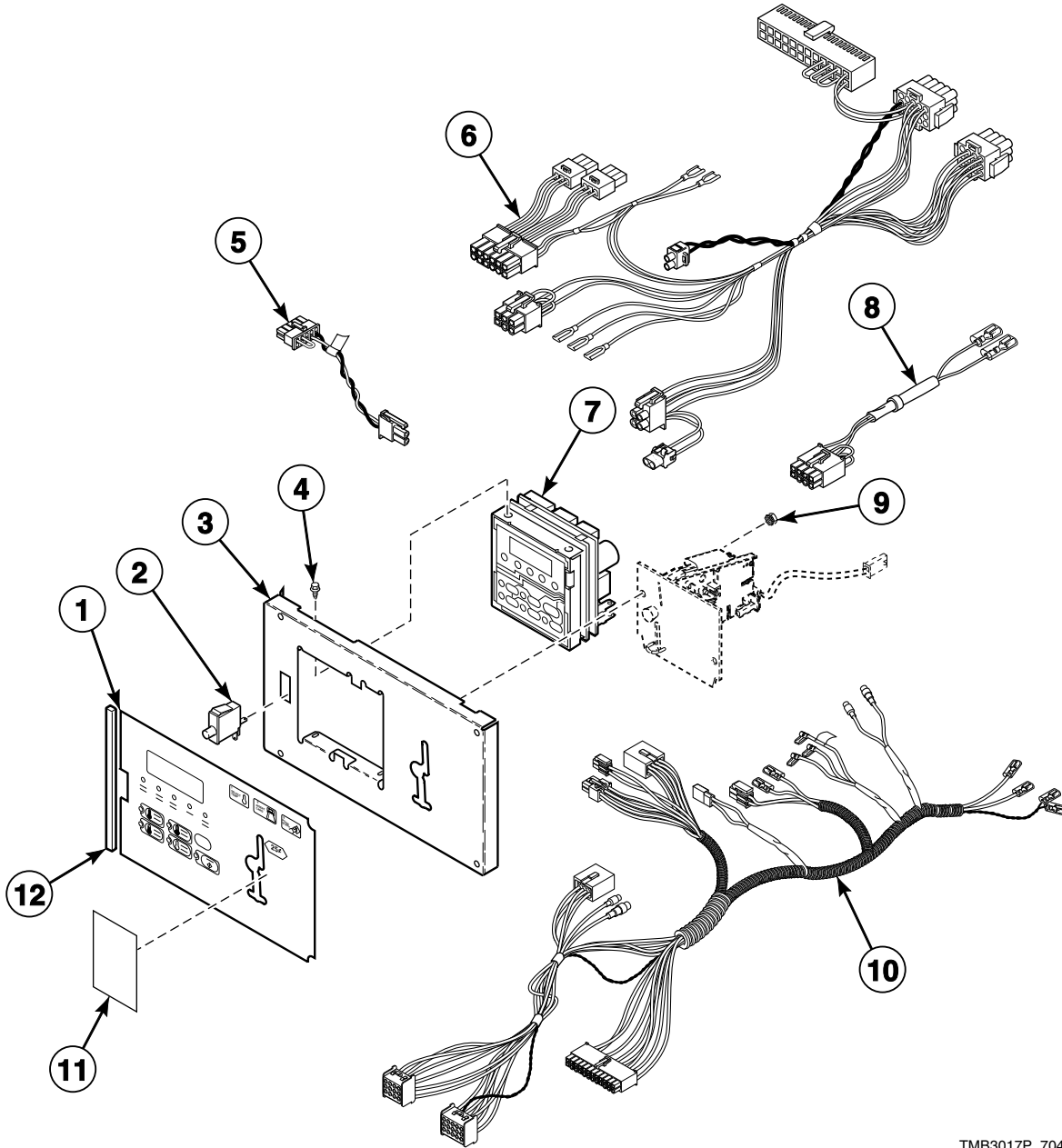


## Coin Drop Kits

REF	PART NO.	DESCRIPTION	COMMENTS
	CK115	Electronic Coin Drop Kit	United States and Canada
	CK099	Electronic Coin Drop Kit	Australia (default), New Zealand, Hong Kong, South Korea and Malaysia
	CK100	Electronic Coin Drop Kit	United Kingdom (default) and Europe
	CK101	Electronic Coin Drop Kit	Europe (default), Denmark and Norway
	CK103	Electronic Coin Drop Kit	Lithuania (default), Latvia and Europe
	CK108	Electronic Coin Drop Kit	South Africa
	CK109	Electronic Coin Drop Kit	Euro
	CK113	Electronic Coin Drop Kit	Japan and Taiwan
	CK116	Electronic Coin Drop Kit	Malaysia (default) and China
	CK117	Electronic Coin Drop Kit	Russia
	CK118	Electronic Coin Drop Kit	Philippine
	CK119	Electronic Coin Drop Kit	Thailand
	CK120	Electronic Coin Drop Kit	Chile
	CK121	Electronic Coin Drop Kit	Singapore
	CK122	Electronic Coin Drop Kit	New Zealand; 1.00 and 2.00

# Coin Drop Components for NetMaster Models

KT030 Models Through Serial No. 1101018349 and S Models Through Serial No. 0904002963  
NC, NX, ZC and ZX Control Suffixes



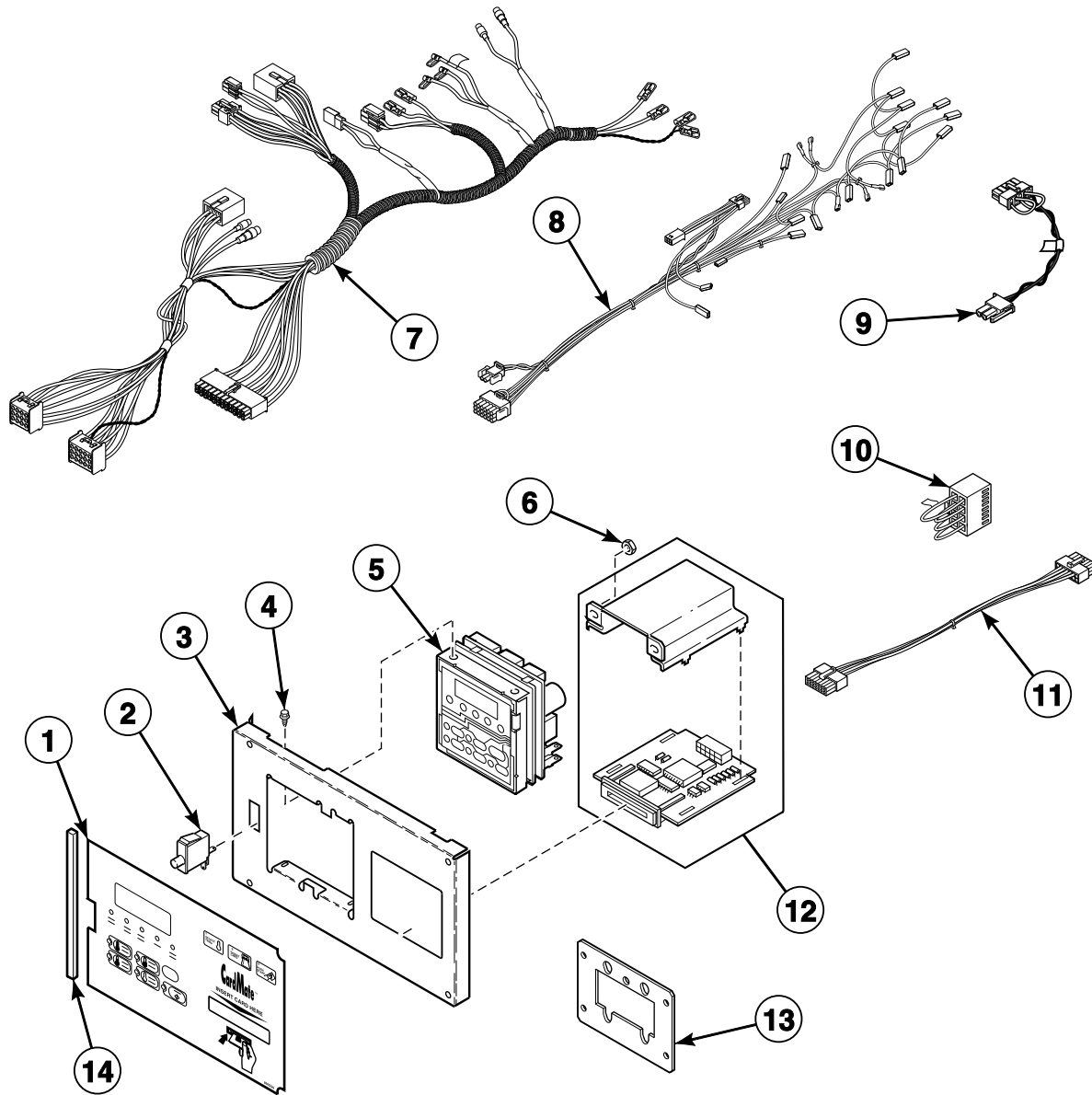
TMB3017P\_70409401

## Coin Drop Components for NetMaster Models

REF	PART NO.	DESCRIPTION	COMMENTS
1	70184301	Overlay	ST models; Single drop
	70184302	Overlay	ST models; Dual drop
	44144301	Overlay	KT models; NC and NX control suffixes; Single drop
	44144302	Overlay	KT models; NC and NX control suffixes; Dual drop
2	70413301	Pushbutton Switch	
3	70175807	Control Plate Assembly	
	70419701	Control Plate Assembly	KT models; NC and NX control suffixes
4	501524	Screw	For mounting NetMaster control
5	70324601	Jumper Calibration Wire	
6	70368001P	Control Panel Harness	KT and ST models
	70315501P	Control Panel Harness	SA and SU models
7	505905P	Control Kit	
8	70364104P	Coin Vault Switch Harness	Non-CE models
9	70054	Nut	
10	70467801	Main Harness	Electric models need 55881 Harness Strap
11	44147801	Overlay	KT models
12	70414101	Foam Gasket	6 inches required; Mounts to front of overlay, even with edge

# Card Reader Components for NetMaster Models

KT030 Models Through Serial No. 1101018349 and S Models Through Serial No. 0904002963  
NR, NY, ZR and ZY Control Suffixes



TMB3018P\_70409401

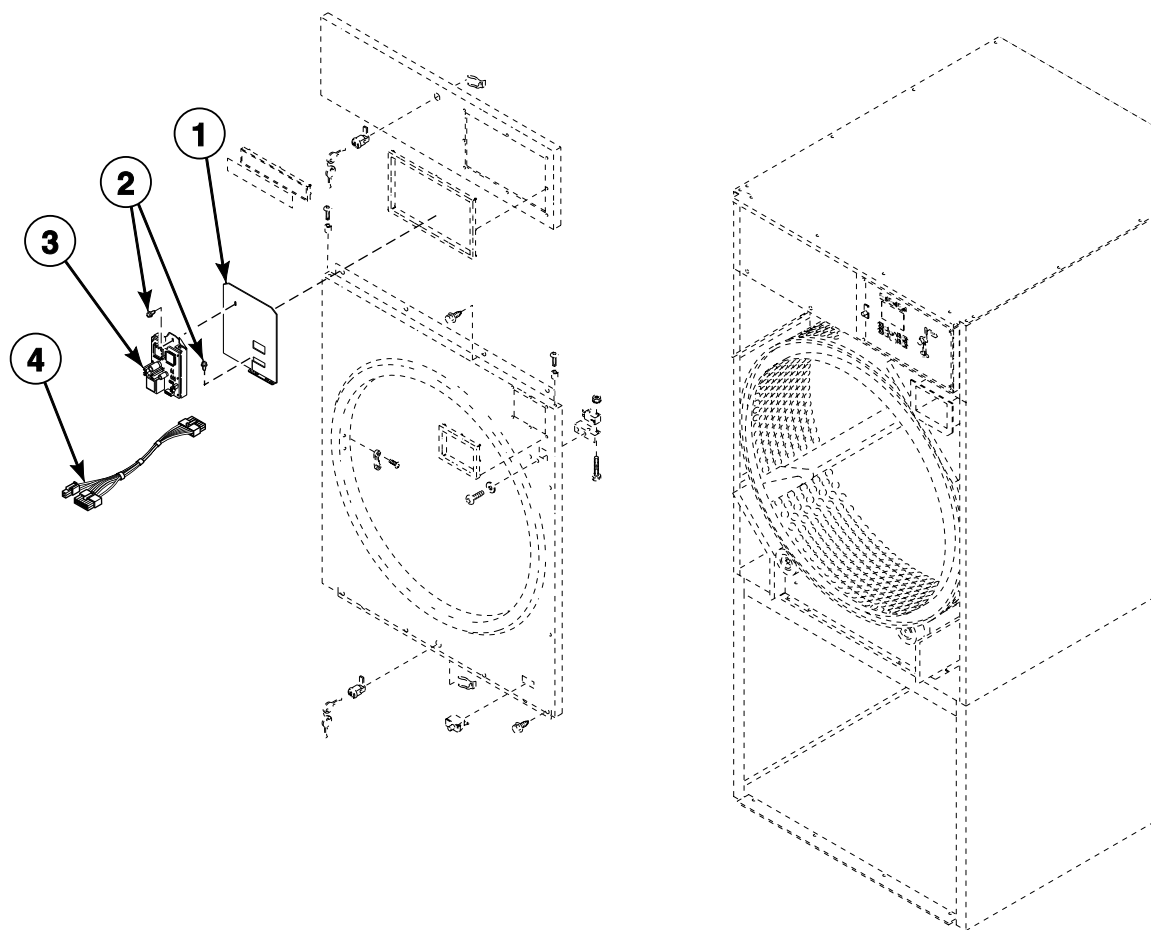
## Card Reader Components for NetMaster Models

REF	PART NO.	DESCRIPTION	COMMENTS
1	N/A	Overlay	ST models; Card reader ready
	70184401	Overlay	ST models; Card reader
	44149301	Overlay	KT models; NY control suffix
2	70413301	Pushbutton Switch	
3	N/A	Control Plate Assembly	Card reader
	70348801	Control Plate Assembly	Card ready
4	501524	Screw	
5	505905P	Control Kit	
6	70054	Nut	
7	70467801	Main Harness	Electric models need 55881 Harness Strap
8	70368001P	Control Panel Harness	ST models
	70315501P	Control Panel Harness	SA and SU models
9	70324601	Jumper Calibration Wire	
10	70364103	Bypass Harness	NR and ZR control suffixes; Non-CE models
11	70206601	Card Reader Network Harness Assembly	Card reader to network board
	70211801	Card Reader Harness Assembly	Card reader to control
12	510068P	Card Reader and Bracket Assembly	
13	70208801	Mounting Plate	Use with 70348801 Control Plate Assembly
14	70414101	Foam Gasket	6 inches required; Mounts to front of overlay, even with edge

**N/A = Part no longer available**

# Network Board for NetMaster Models

SA and ST Models Through Serial No. 0904002963 with ZC, ZR, ZX and ZY Control Suffixes



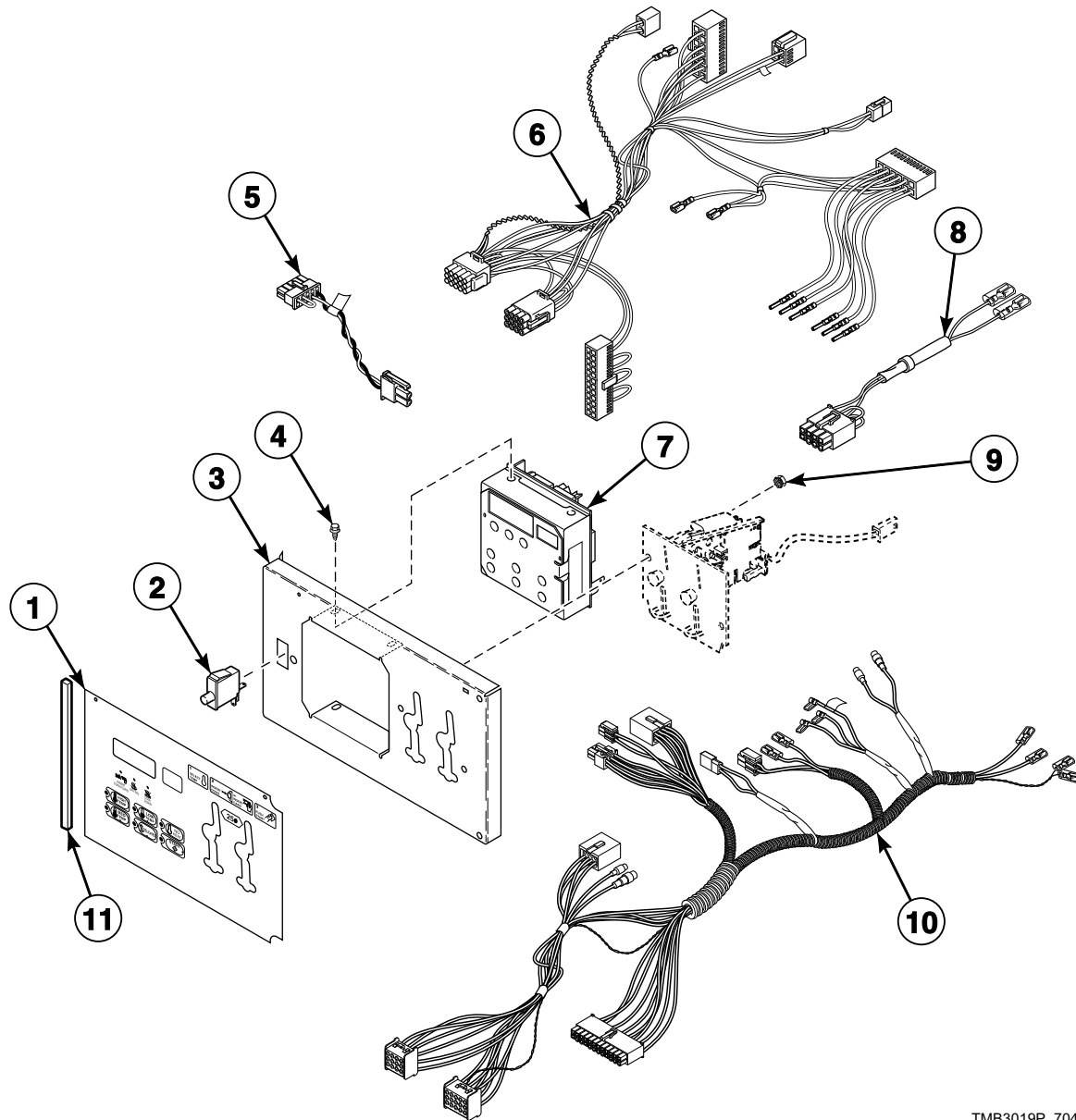
TMB2387P\_70409401

## Network Board for NetMaster Models

REF	PART NO.	DESCRIPTION	COMMENTS
	800246	Communication Wire Harness Assembly	
1	70201401	Network Plug Support	
2	430497	Screw	
3	210016P	Network Board Assembly	
4	800217	Network Wire Harness Assembly	

# Coin Drop Components for Quantum Control

S Models with LB, LC, LW, LX, WB, WC, WW and WX Control Suffixes



TMB3019P\_70409401

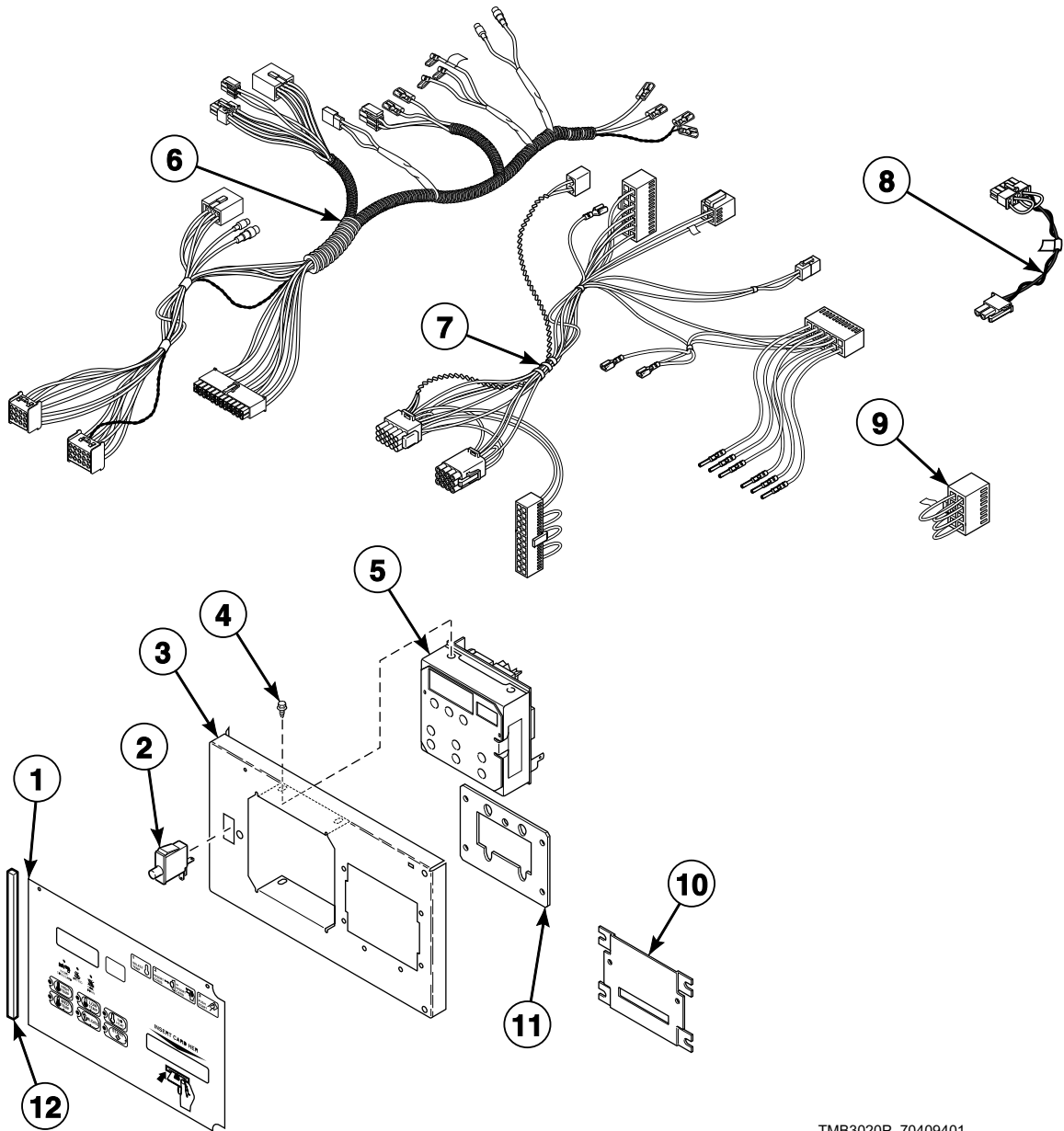


## Coin Drop Components for Quantum Control

REF	PART NO.	DESCRIPTION	COMMENTS
	NK206	Network Retrofit Kit	LC and LX control suffixes; Wired
	NK220	Network Controller Kit	LC and LX control suffixes; Wired
	NK301	Wireless Network Kit	LC and LX control suffixes; Wireless
	NK320	Ethernet Gateway Kit	LC and LX control suffixes; Wireless
	NK330	USB Gateway Kit	LC and LX control suffixes; Wireless
<b>1</b>	44194801	Control Overlay	Model ST030D
	70449501	Control Overlay	Model ST030D
	70473301	Control Overlay	Model ST030D
	70410001	Control Overlay	Single drop; All models except ST030D
	70410002	Control Overlay	Dual drop; All models except ST030D
<b>2</b>	70413301	Pushbutton Switch	
<b>3</b>	70291001P	Control Plate Kit	
<b>4</b>	501524	Screw	For mounting item 7
<b>5</b>	70324601	Jumper Calibration Wire	
<b>6</b>	70410401P	Control Panel Harness	
<b>7</b>	70450501P	Control Assembly	Nonreversing
	70450503	Control Assembly	Reversing
<b>8</b>	70364104P	Coin Vault Switch Harness	Non-CE models
<b>9</b>	70054	Nut	
<b>10</b>	70467801	Main Harness	Electric models need 55881 Harness Strap; Models through 7/31/11 and starting again 7/9/12
	70441301	Main Harness	Electric models need 55881 Harness Strap; Models starting 8/1/11 through 7/8/12
<b>11</b>	70414101	Foam Gasket	6 inches required; Mounts to front of overlay, even with edge

# Card Reader Components for Quantum Control

S Models with LY, LZ, WY and WZ Control Suffixes



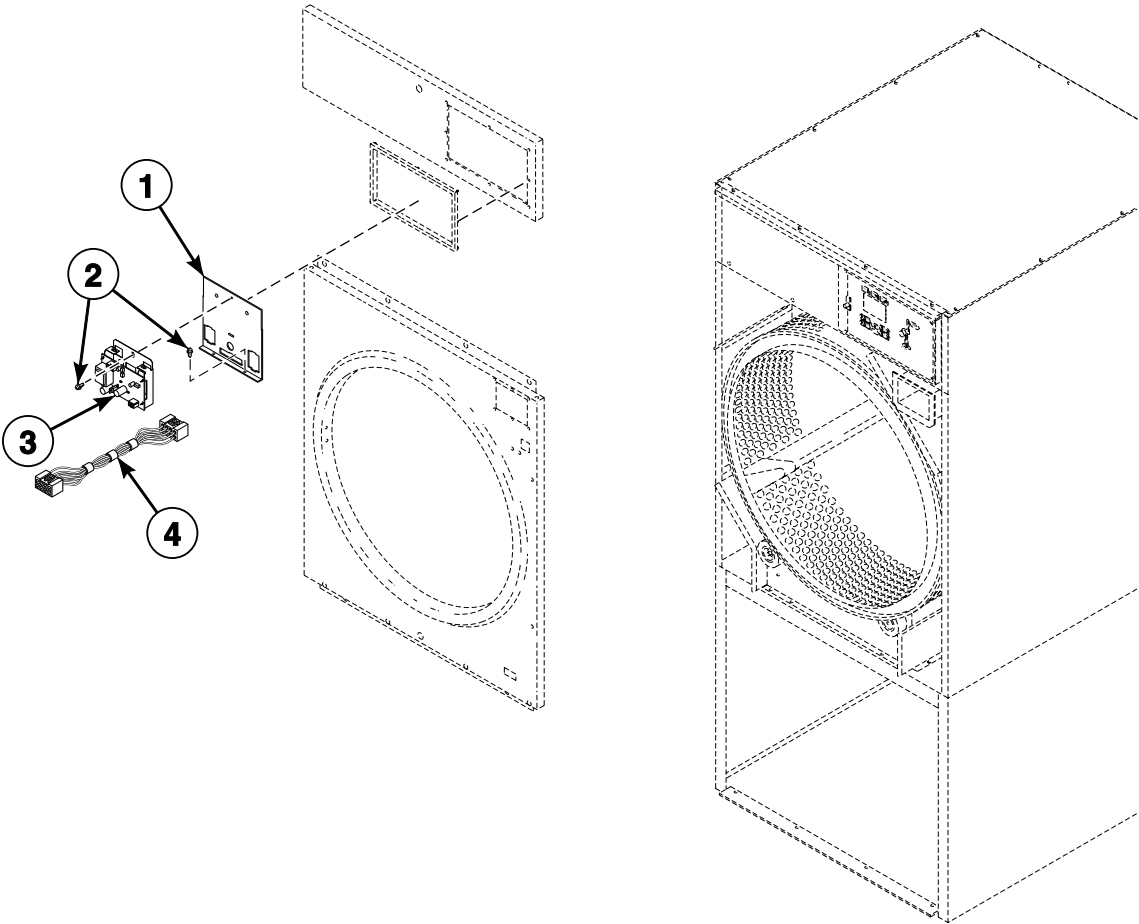
TMB3020P\_70409401

## Card Reader Components for Quantum Control

REF	PART NO.	DESCRIPTION	COMMENTS
	NK206	Network Retrofit Kit	LY control suffix; Wired
	NK220	Network Controller Kit	LYcontrol suffix; Wired
	NK301	Wireless Network Kit	LY control suffix; Wireless
	NK320	Ethernet Gateway Kit	LY control suffix; Wireless
	NK330	USB Gateway Kit	LY control suffix; Wireless
<b>1</b>	70410003	Overlay	
<b>2</b>	70413301	Pushbutton Switch	
<b>3</b>	70348801	Control Plate Assembly	
<b>4</b>	501524	Screw	
<b>5</b>	70450501P	Control Assembly	Nonreversing
	70450503	Control Assembly	Reversing
<b>6</b>	70467801	Main Harness	Electric models need 55881 Harness Strap; Models through 7/31/11 and starting again 7/9/12
	70441301	Main Harness	Electric models need 55881 Harness Strap; Models starting 8/1/11 through 7/8/12
<b>7</b>	70410401P	Control Panel Harness	
<b>8</b>	70324601	Jumper Calibration Wire	
<b>9</b>	70364103	Bypass Harness	Non-CE models
<b>10</b>	44089501	Slot Card Plate Assembly	
<b>11</b>	70208801	Mounting Plate	
<b>12</b>	70414101	Foam Gasket	6 inches required; Mounts to front of overlay, even with edge

# Network Board for Quantum Control

S Models with WB, WC, WW, WX, WY and WZ Control Suffixes



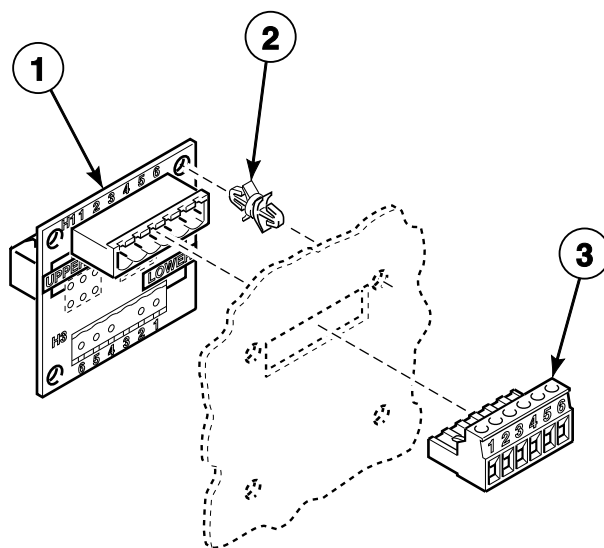
TMB2928P\_70409401

## Network Board for Quantum Control

REF	PART NO.	DESCRIPTION	COMMENTS
	800246	Communication Wire Harness Assembly	
1	70307002	Control Housing Cover	
2	430497	Screw	
3	201341	Network Board Assembly	
4	44088501P	Network Wire Harness Assembly	

# Communication Board

S Models Through Serial No. 0904002963 with ZC and ZR Control Suffixes  
S Models with WB and WC Control Suffixes



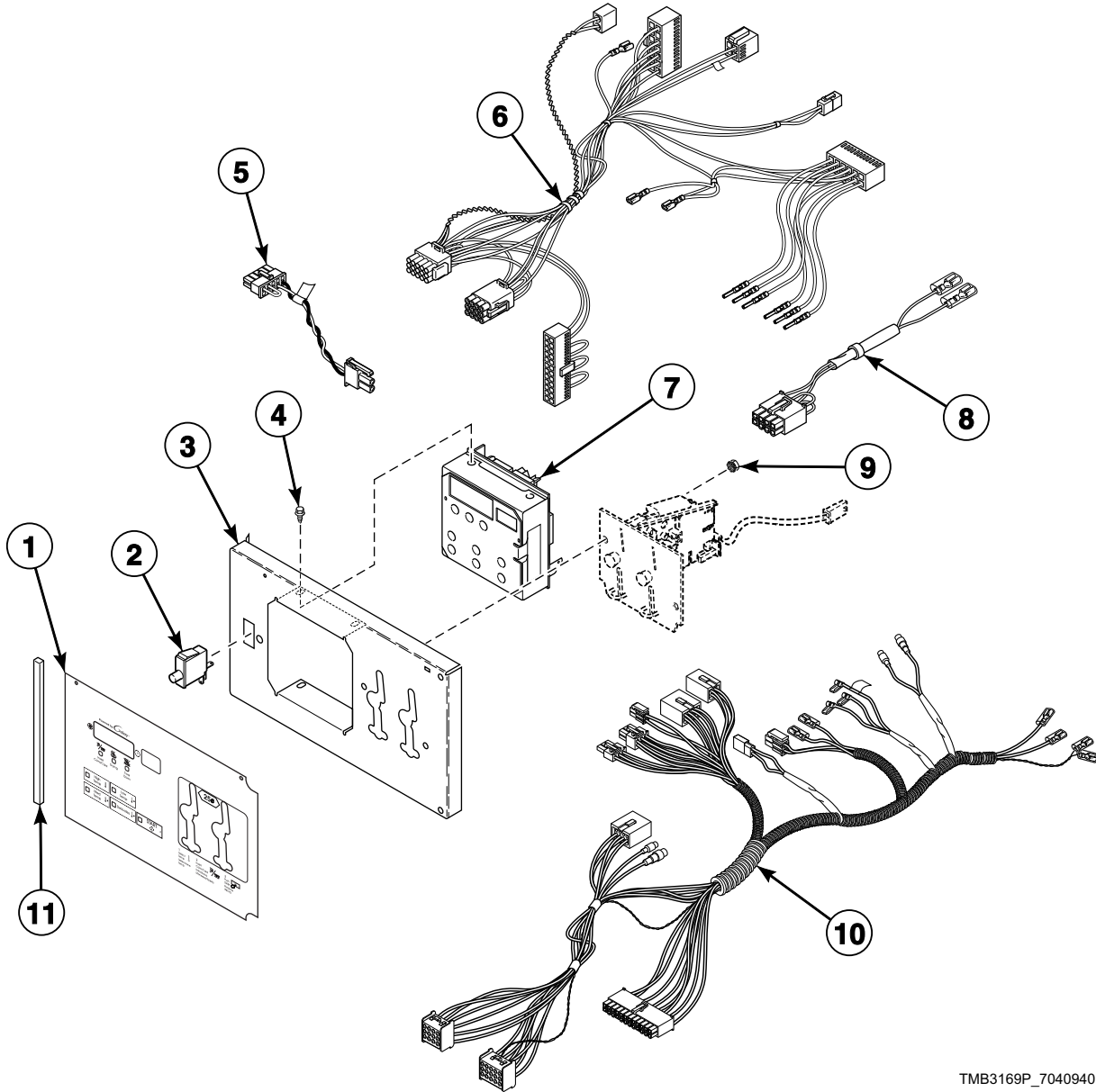
TMB1935P\_70409401

# Communication Board

REF	PART NO.	DESCRIPTION	COMMENTS
1	210095P	Communication Board	
2	210098	PC Board Standoff	4 required
3	210099	Communication Connector	

# Coin Drop Components for Galaxy 600 Control

H Models with KB, KC, KW and KX Control Suffixes



TMB3169P\_70409401

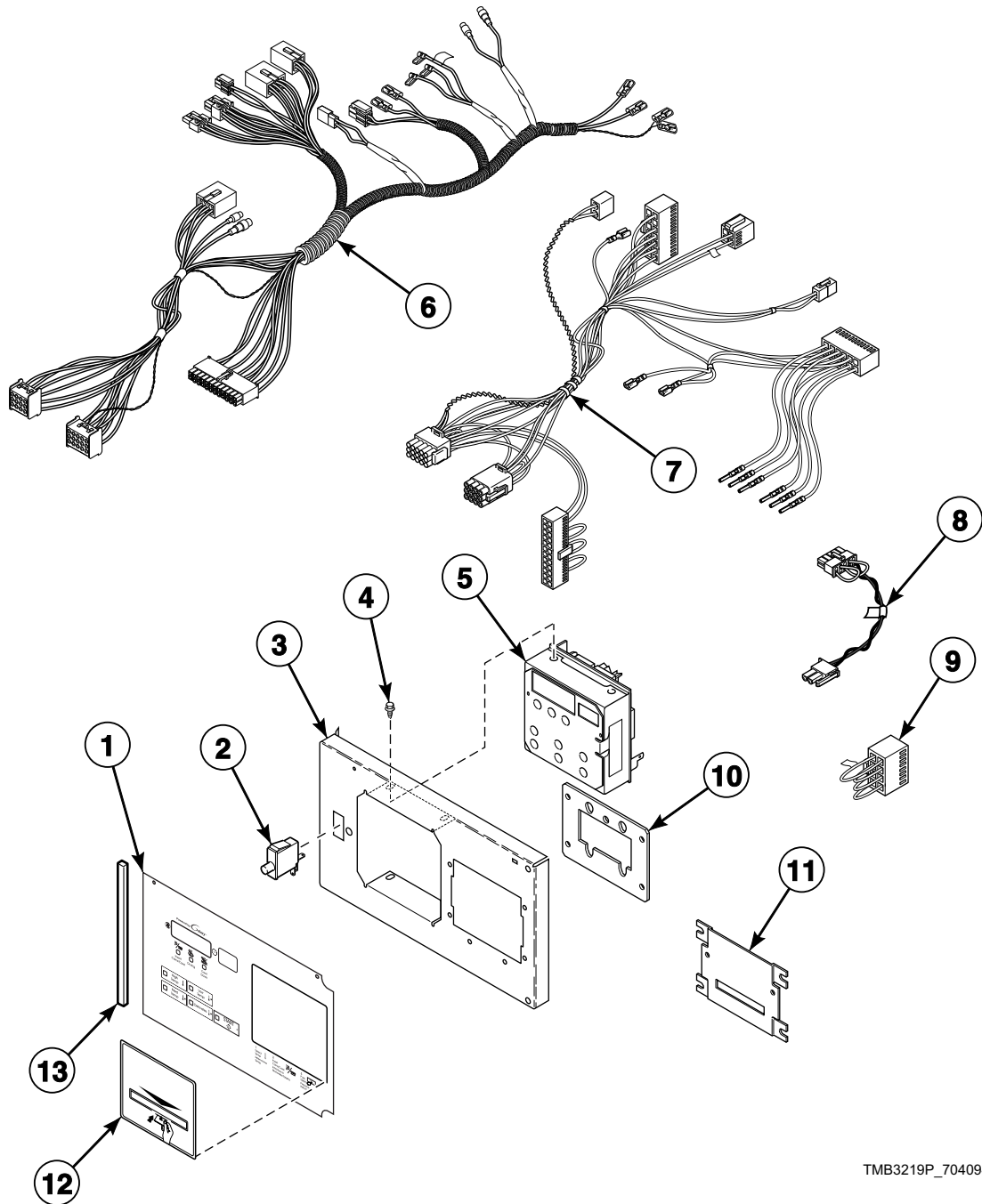


## Coin Drop Components for Galaxy 600 Control

REF	PART NO.	DESCRIPTION	COMMENTS
1	70473001	Control Overlay	Single drop
	70473002	Control Overlay	Dual drop
2	70413301	Pushbutton Switch	
3	70291001P	Control Plate Kit	
4	501524	Screw	For mounting item 7
5	70324601	Jumper Calibration Wire	
6	70410401P	Control Panel Harness	
7	70450502	Control Assembly	Nonreversing
	70450504	Control Assembly	Reversing
8	70364104P	Coin Vault Switch Harness	Non-CE models
9	70054	Nut	
10	70467801	Main Harness	
11	70414101	Foam Gasket	6 inches required; Mounts to front of overlay, even with edge

# Card Reader Components for Galaxy 600 Control

H Models with KY and KZ Control Suffixes



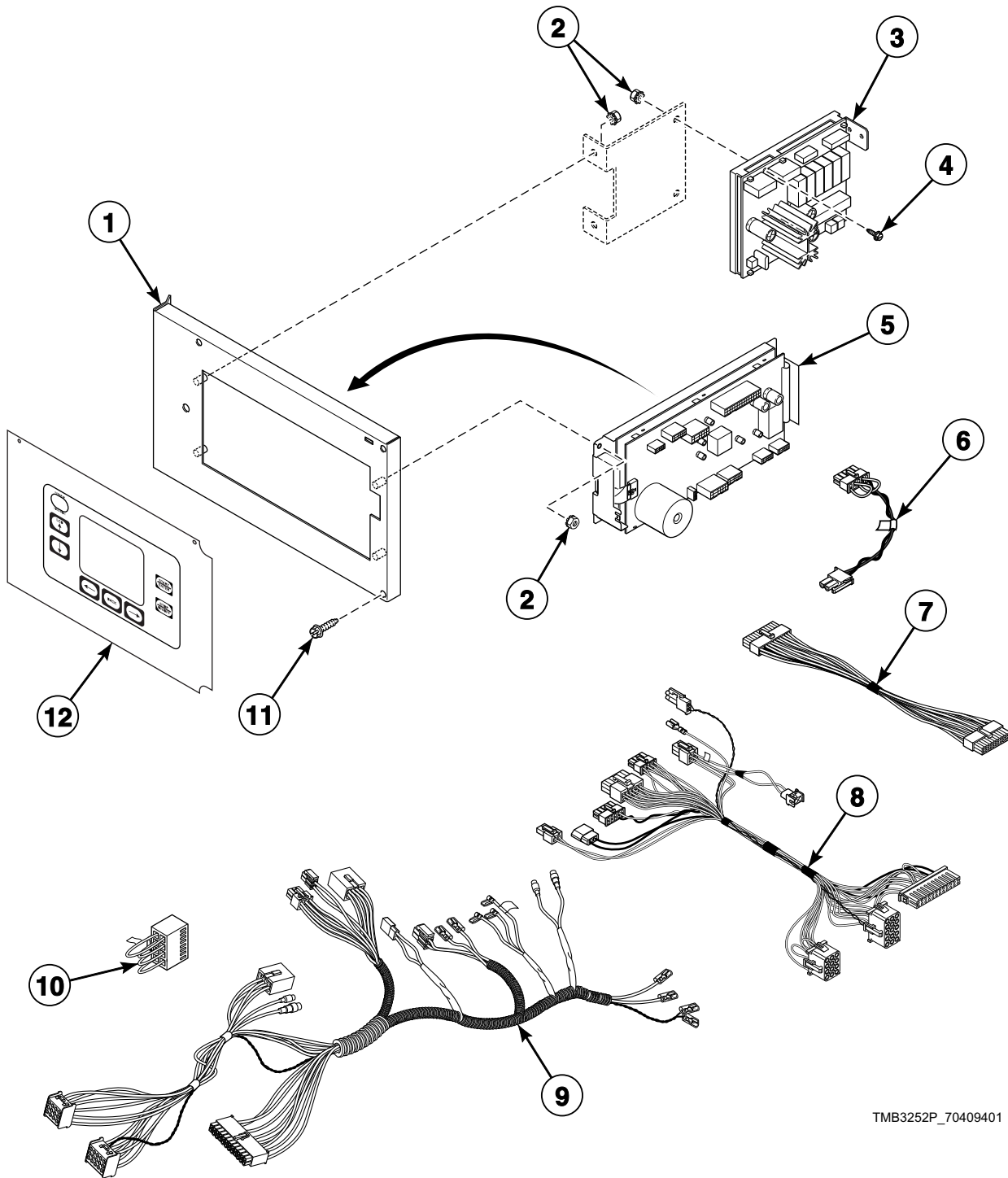
TMB3219P\_70409401

## Card Reader Components for Galaxy 600 Control

REF	PART NO.	DESCRIPTION	COMMENTS
1	70473003	Control Overlay	
2	70413301	Pushbutton Switch	
3	70336501	Control Plate Assembly	
4	501524	Screw	
5	70450502	Control Assembly	Nonreversing
	70450504	Control Assembly	Reversing
6	70467801	Main Harness	
7	70410401P	Control Panel Harness	
8	70324601	Jumper Calibration Wire	
9	70364103	Bypass Harness	Non-CE models
10	70208801	Mounting Plate	
11	44089501	Slot Card Plate Assembly	
12	70334301	Card Reader Overlay	
13	70414101	Foam Gasket	6 inches required; Mounts to front of overlay, even with edge

# UniLinc Control

U Models with RU and UO Control Suffixes



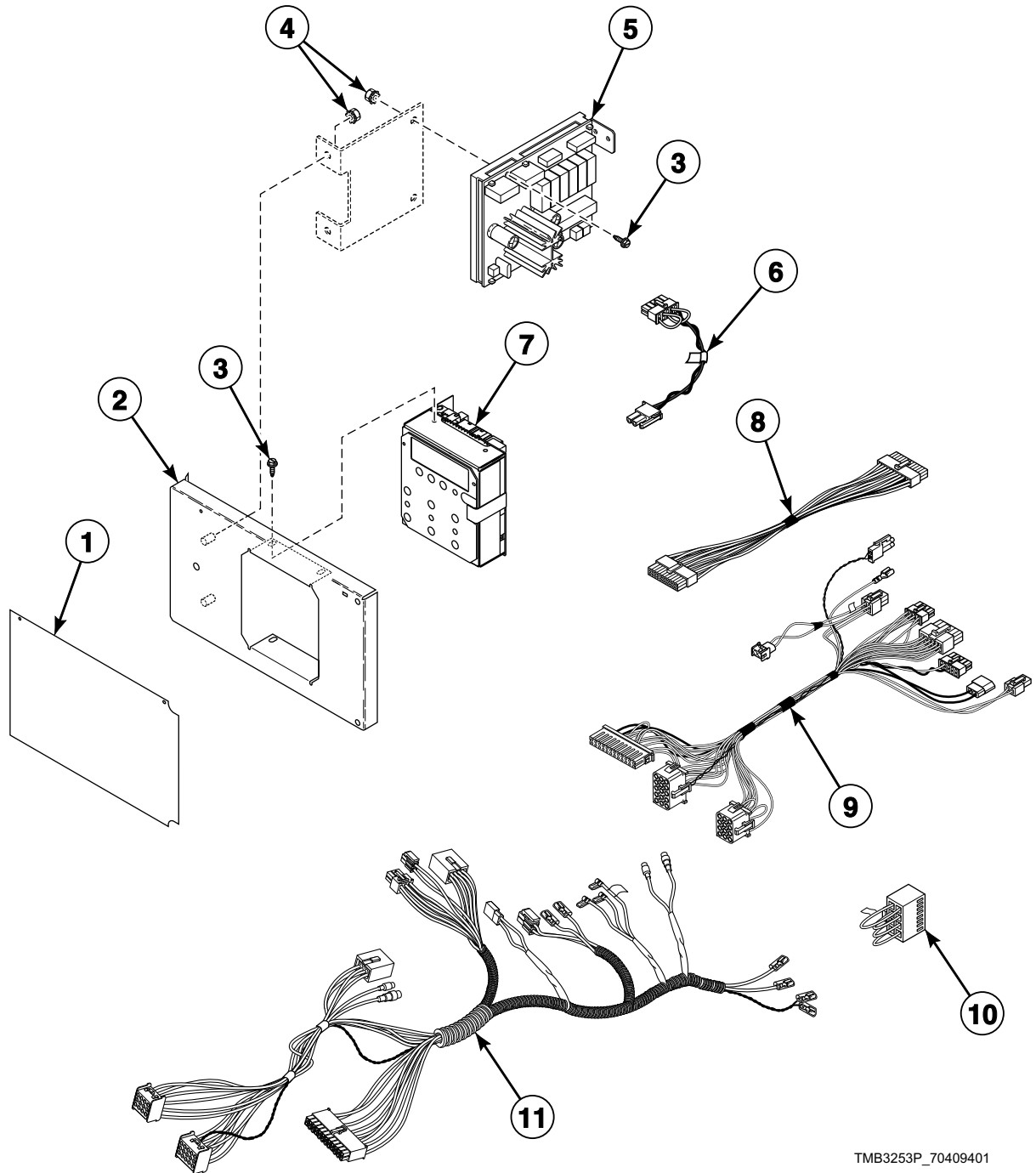
TMB3252P\_70409401

# UniLinc Control

REF	PART NO.	DESCRIPTION	COMMENTS
	NK206	Network Retrofit Kit	Wired
	NK220	Network Controller Kit	Wired
	NK301	Wireless Network Kit	Wireless
	NK320	Ethernet Gateway Kit	Wireless
	NK330	USB Gateway Kit	Wireless
<b>1</b>	70432101	Control Plate Assembly	Models through 7/8/12
	70475601	Control Plate Assembly	Models starting 7/9/12
<b>2</b>	70054	Nut	
<b>3</b>	70434101P	Control Assembly	
<b>4</b>	501524	Screw	
<b>5</b>	70454001P	Control Assembly	
<b>6</b>	70324601	Jumper Calibration Wire	
<b>7</b>	44186101	Output Harness	Use between item 3 and item 5
<b>8</b>	44240301	Control Panel Harness	Goes from item 5 to main harness
<b>9</b>	70441301	Main Harness	Models through 7/8/12
	70467801	Main Harness	Models starting 7/9/12
<b>10</b>	70364103	Bypass Harness	Non-CE models
<b>11</b>	70069901	Screw	
<b>12</b>	70432201	Overlay	

# LED OPL Control

C, D, H, I, S and U Models  
G, K, L, P and Y Models Starting 1/16/12  
Models with EO and RE Control Suffixes

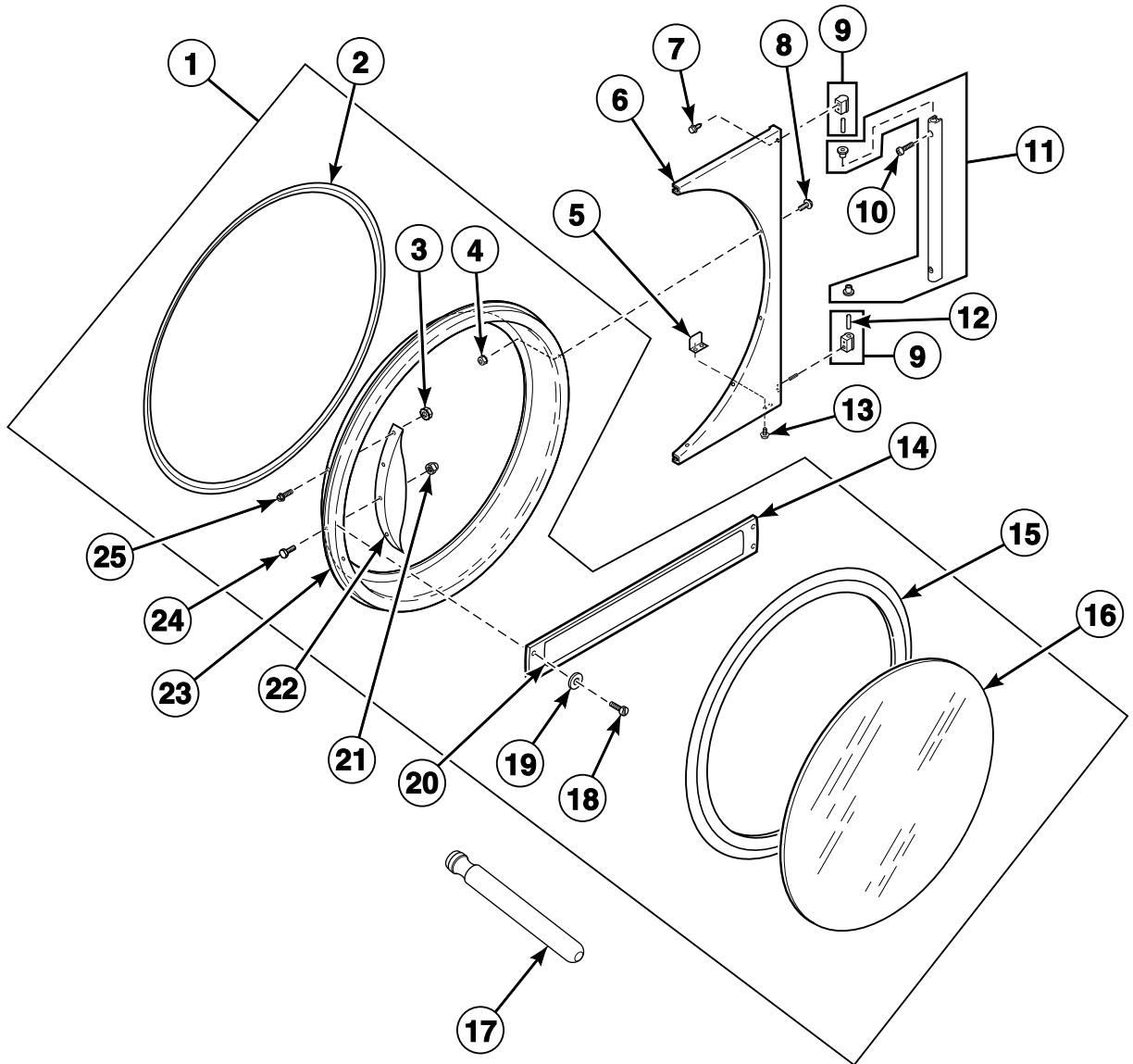


TMB3253P\_70409401

# LED OPL Control

REF	PART NO.	DESCRIPTION	COMMENTS
1	70445001	Overlay	S models; EO control suffix
	70445002	Overlay	S models; RE control suffix
	70445003	Overlay	H models; EO control suffix
	70445004	Overlay	H models; RE control suffix
	70462402	Overlay	C, D and I models; EO control suffix
	70462401	Overlay	C, D and I models; RE control suffix
	70462702	Overlay	U models; EO control suffix
	70462701	Overlay	U models; RE control suffix
	70462902	Overlay	G and K models; EO control suffix
	70462901	Overlay	G and K models; RE control suffix
	70472402	Overlay	P models; EO control suffix
	70472401	Overlay	P models; RE control suffix
	70472202	Overlay	L and Y models; EO control suffix
	70472201	Overlay	L and Y models; RE control suffix
	2	70440901	Control Plate and Studs Assembly
3	501524	Screw	
4	70054	Nut	
5	70434101P	Control Assembly	
6	70324601	Jumper Calibration Wire	
7	70454101P	Control Assembly	H, S and U models
	70437102P	Control Assembly	C, D and I models
	70437103P	Control Assembly	P models
	70437104P	Control Assembly	G and K models
	70437105P	Control Assembly	L and Y models
8	44186101	Output Harness	Use between item 5 and item 7
9	44240301	Control Panel Harness	Goes from item 7 to main harness
10	70364103	Bypass Harness	Non-CE models
11	70441301	Main Harness	Models through 7/8/12
	70467801	Main Harness	Models starting 7/9/12

# Door and Hinge Components



TMB3152P\_70409401

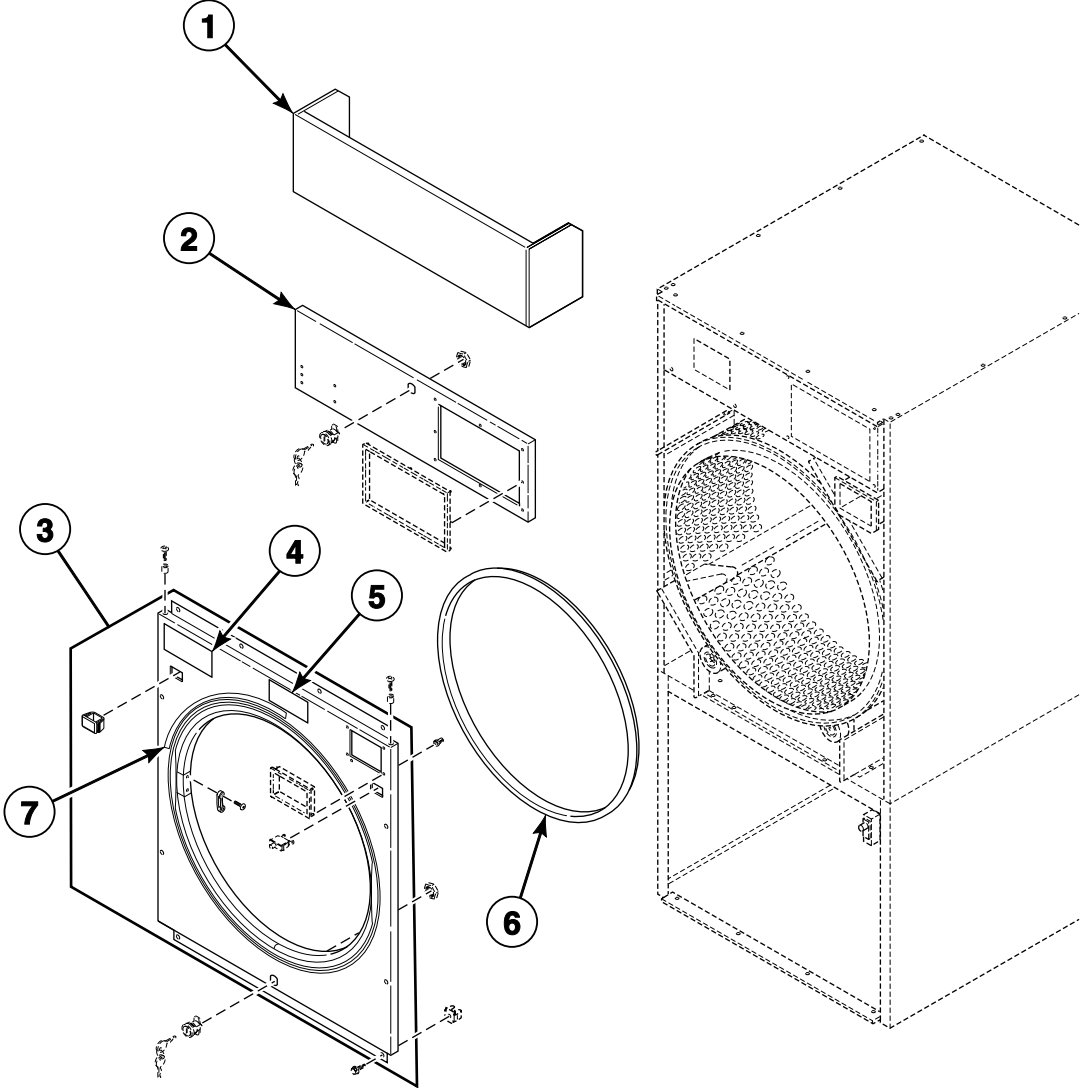


## Door and Hinge Components

REF	PART NO.	DESCRIPTION	COMMENTS
	M4774P3	Control Panel and Door Hinge Kit	D and I models; To change from old look to new look
	70133501P	Replacement Door Handle Kit	H models
1	44046701	Door Assembly	C, D and I models through 7/31/11; Excludes hinge
	70212301	Door Assembly	S and U models; C, D and I models starting 8/1/11; Excludes hinge
	44058001P	Door Assembly	H models; Excludes hinge
	70064100	Door Assembly	L models
	70212200	Door Assembly	P and Y models; Excludes hinge
	70408901	Door Assembly	G and K models; Includes handle
2	70296801	Door Ring Gasket	
3	44071201	Nut	H, S and U models; 4 required
4	70054	Nut	
5	70215001P	Door Switch Actuator Kit	
6	70116003*	Door Hinge	H, L, P, S, U and Y models; C models starting 8/1/11
	70116004	Door Hinge	C, H, L, P, S, U and Y models; D and I models through 7/31/11; Stainless steel
	70116005B	Door Hinge	G and K models; D and I models starting 8/1/11
7	61199	Screw	
8	501524	Screw	
9	M4772P3	Cam and Hinge Kit	C, H, L, P, S, U and Y models; D and I models through 7/31/11
	M4773P3	Cam and Hinge Kit	G and K models; D and I models starting 8/1/11
10	70033502	Screw	C, H, L, P, S, U and Y models; D and I models through 7/31/11
	70407301	Screw	G and K models; D and I models starting 8/1/11
11	44035001	Door Hinge Lug Assembly	C, H, L, P, S, U and Y models; D and I models through 7/31/11
	44035002	Door Hinge Lug Assembly	G and K models; D and I models starting 8/1/11
12	70071401	Pin	
13	70058501	Pop Rivet	
14	70399502B	Handle Bar	G and K models
15	70211901P	Door Glass Seal Kit	Use Loctite 414 for seal
16	70133601P	Door Glass	H models
	M400784P	Door Glass	All other models
17	M4221P4	Door Glass Installation Tool	
18	70412601	Pop Rivet	G and K models; Attaches door handle to door ring
19	70409301	Washer	G and K models
20	70414001	Label	G models; Coin
	44144401	Nameplate Overlay	K models; Coin
21	M414215	Nut	H, L, P, S, U and Y models; For door strike; Mounts between door strike screw and door handle
22	44007902P	Door Handle	S and U models; C, D and I models starting 8/1/11
	44057701	Door Handle	H models
	430117	Door Handle	L models
	M400133	Door Handle	P and Y models
23	44043501	Door Ring and Handle Assembly	C, D and I models through 7/3/1/11
	70455001B	Door Ring Assembly	C, D and I models starting 8/1/11; S and U models
	70399701B	Door Ring	G and K models
	70081801	Door Ring	Stainless steel
24	430757	Screw	H, S and U models; Use with 70024801 and 44057701 Door Handle
	M409385	Screw	P and Y models; Use with 70133501P Replacement Door Handle Kit and M400133 Door Handle
	430756	Screw	L models; Use with 430117 Door Handle
25	44024201	Hole Plug	C, D and I models; 4 required
	M400661	Screw	All other models

\* Add Letter To Designate Color. L - Almond Q - Bisque W - White

# Front Panel Assemblies and False Fronts



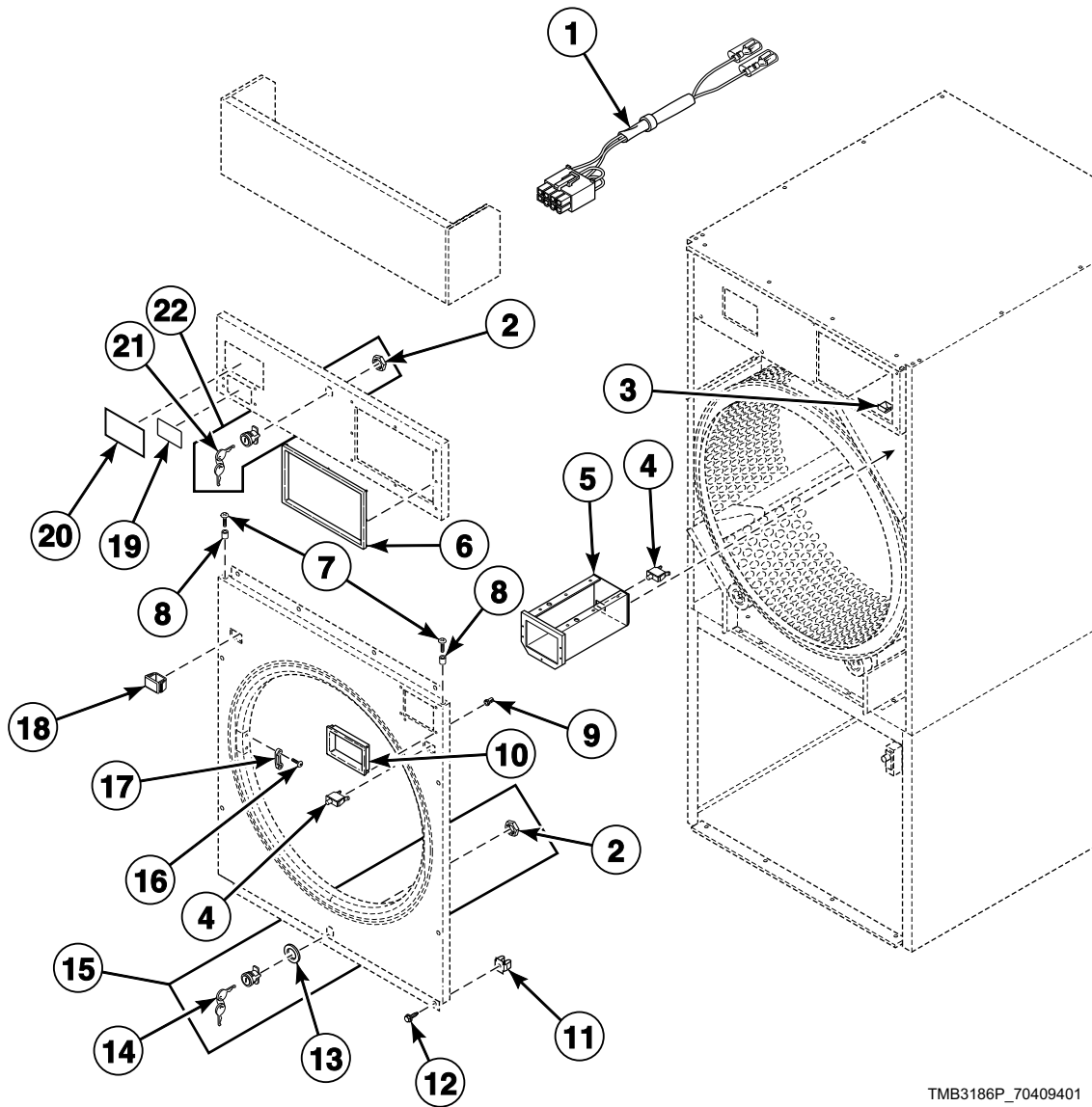
TMB3200P\_70409401

## Front Panel Assemblies and False Fronts

REF	PART NO.	DESCRIPTION	COMMENTS
	M4774P3	Control Panel and Door Hinge Kit	D and I models; To change from old look to new look
1	70000501*P	False Front	72 inches
	70000502	False Front	72 inches; Stainless steel
	70024201*P	False Front Assembly	76 inches
	70024202P	False Front	76 inches; Stainless steel
2	70273301*	Control Panel	C models; D and I models through 7/31/11; Manual
	70273302	Control Panel	C models; D and I models through 7/31/11; Manual; Stainless steel
	70273303*	Control Panel	C models; D and I models through 7/31/11; Electronic
	70273304	Control Panel	C models; D and I models through 7/31/11; Electronic; Stainless steel
	70273301B	Control Panel	D and I models starting 8/1/11 through 7/8/12
	70273308B	Control Panel	D and I models starting 7/9/12
	70273305*	Control Panel	G and K models
	70273306	Control Panel	G and K models; Stainless steel
	70121501*	Control Panel	P, S, U and Y models
	70121502	Control Panel	P, S, U and Y models; Stainless steel
	70121505*	Control Panel	H models
	70121506	Control Panel	H models; Stainless steel
	70121501B	Control Panel	L models
	3	44115401*P	Front Panel Assembly
44115501		Front Panel Assembly	C, D, H, I, L, P and S models; 3V, 3X, BC, BX, DV, DX, LC, LX, NC, NX, SD, SX, ZC and ZX control suffixes; Stainless steel
44115601*		Front Panel Assembly	H, L, P and S models; BL, BY, LY, NR and ZR control suffixes
44115701P		Front Panel Assembly	H, L, P and S models; BL, BY, LY, NR and ZR control suffixes; Stainless steel
44115801*		Front Panel Assembly	C, D, H, I, S, U and Y non-CE models; 3O, DO, OM and QT control suffixes
44115901		Front Panel Assembly	C, D, H, I, S, U and Y non-CE models; 3O, DO, OM and QT control suffixes; Stainless steel
44116001*		Front Panel Assembly	C, D, H, S, U and Y CE models; 3O, DO, OM and QT control suffixes
44116101P		Front Panel Assembly	C, D, H, S, U and Y CE models; 3O, DO, OM and QT control suffixes; Stainless steel
44116201*P		Front Panel Assembly	C, D, H, I, L, P and S models; 3V, 3X, BC, BX, DV, DX, LC, LX, NC, NX, SD, SX, ZC and ZX control suffixes; Hinged lint drawer
44116301		Front Panel Assembly	C, D, H, I, L, P and S models; 3V, 3X, BC, BX, DV, DX, LC, LX, NC, NX, SD, SX, ZC and ZX control suffixes; Stainless steel; Hinged lint drawer
4	70411401	Nameplate Overlay	G models; Coin
5	44108201	Label	C, D, H, I, S and U models
	44190901	Label	L and P models
	44128901	Fire Suppression System Label	G and K models
6	70173401P	Front Panel Seal	
7	M410892	Warning Label	

\* Add Letter To Designate Color. L - Almond Q - Bisque W - White

# Cabinet Front Components

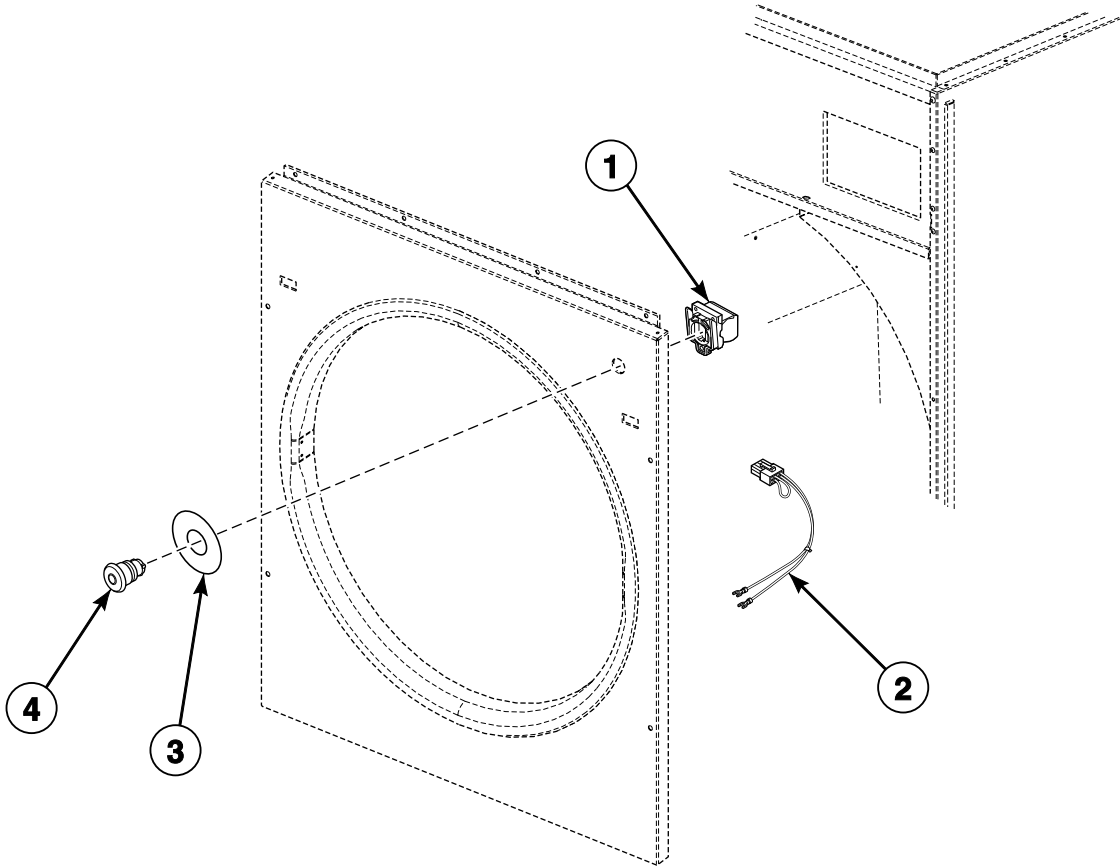


TMB3186P\_70409401

# Cabinet Front Components

REF	PART NO.	DESCRIPTION	COMMENTS
	70399405	Access Panel Trim	25 pound G and K models
	70399407	Access Panel Trim	30 pound G and K models
<b>1</b>	70364104P	Coin Vault Switch Harness	
<b>2</b>	44088801	Nut	
<b>3</b>	70296401	Coin Chute Assembly	
<b>4</b>	70413301	Pushbutton Switch	
<b>5</b>	70180101	Coin Vault Assembly	
<b>6</b>	44016301	Control Trim	H models; Gray
	44016401	Control Trim	K, L, P, S, U and Y models; Black
<b>7</b>	39733	Screw	
<b>8</b>	56079	Panel Locator	9 required
<b>9</b>	M400972	Shadow Box Clip	
<b>10</b>	70117502	Coin Vault Trim	
<b>11</b>	70030501	Expansion Clip	8 required; Use with item 7, between front panel and cabinet
<b>12</b>	430497	Screw	
<b>13</b>	70342401	Lock Shim	
<b>14</b>	70155602	Key	RL002
<b>15</b>	44089302P	Lock, Key and Nut Kit	RL002
<b>16</b>	44166601	Pop Rivet	
<b>17</b>	M401223	Door Latch	
<b>18</b>	44057801W	Switch Hole Plug	White
	44057801Q	Switch Hole Plug	Bisque
	44057801B	Switch Hole Plug	Black
<b>19</b>	44129901	Nameplate	25 pound C models
	44129902	Nameplate	30 pound C models
<b>20</b>	70115601	Nameplate Overlay	S models
	70460801	Nameplate Overlay	U models
	B12389801	Nameplate	D and I models
	44062901	Nameplate	C models
	70411401	Nameplate Overlay	G models; Coin
	70410201	Nameplate Overlay	G models; OPL
	44144401	Nameplate Overlay	K models; Coin
	44130101	Nameplate Overlay	25 pound K models; OPL
	70243901	Nameplate	L models
	70380701	Nameplate Overlay	P models
	44104501	Nameplate Overlay	Y models
<b>21</b>	70155601	Key	RL001
<b>22</b>	44089301P	Lock, Key and Nut Kit	RL001

# Emergency Stop Button for CE Models

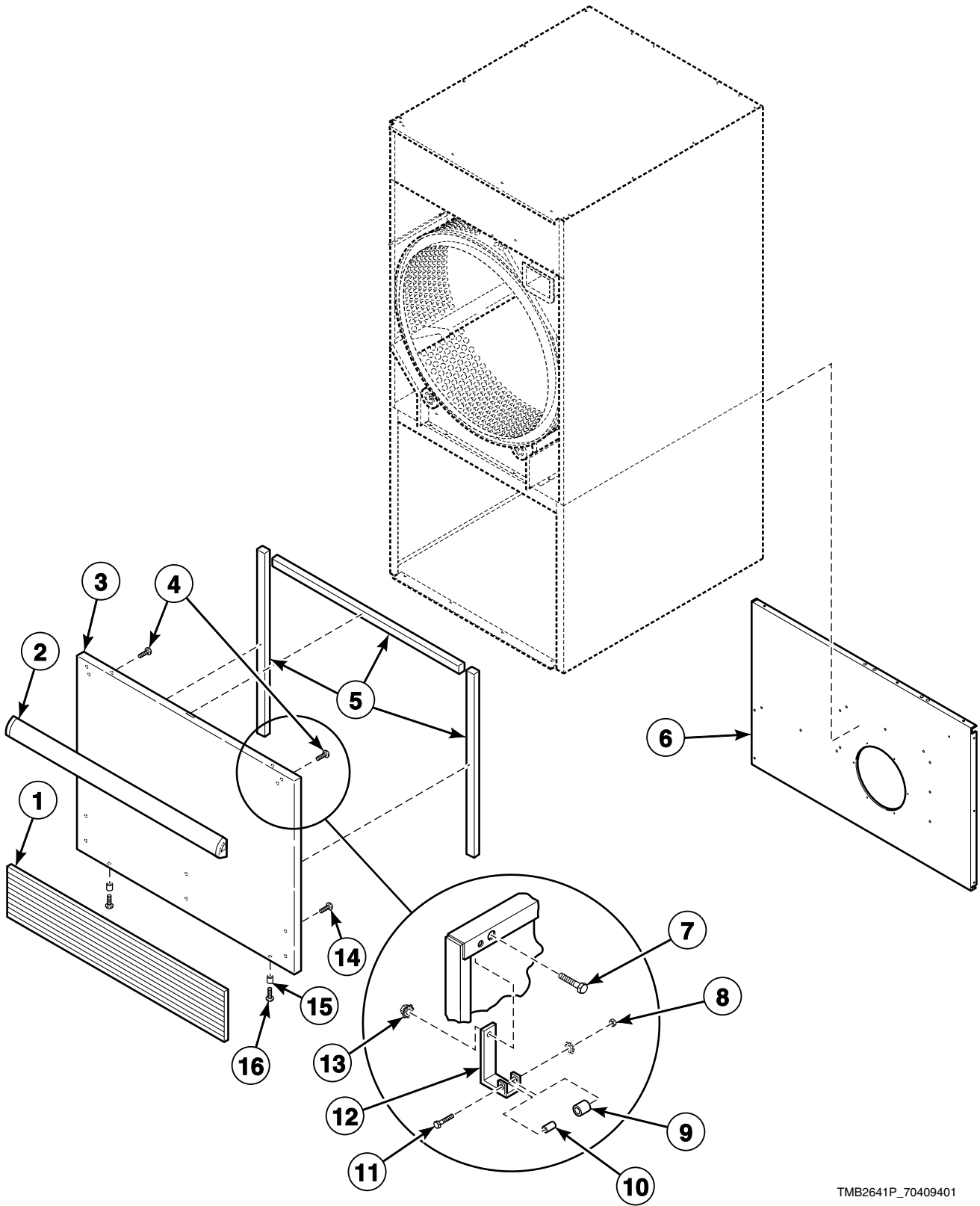


TMB2375P\_70409401

## Emergency Stop Button for CE Models

REF	PART NO.	DESCRIPTION	COMMENTS
	F8069501	Contact Switch	Models starting 10/1/07; Does not include mounting base
1	44018701	Contact Block	Includes base; Models through 9/30/07
	F200233401	Contact Block Switch	Models starting 10/1/07; Includes mounting base
2	70364105P	Emergency Stop Contact Harness	1 contact
	70364106P	Emergency Stop Harness	2 contacts
3	M412235	Emergency Stop Label	
4	44018801	Pushbutton	Models through 9/30/07
	F200233500	Emergency Stop Pushbutton	Models starting 10/1/07

# Lower Cabinet Components



TMB2641P\_70409401



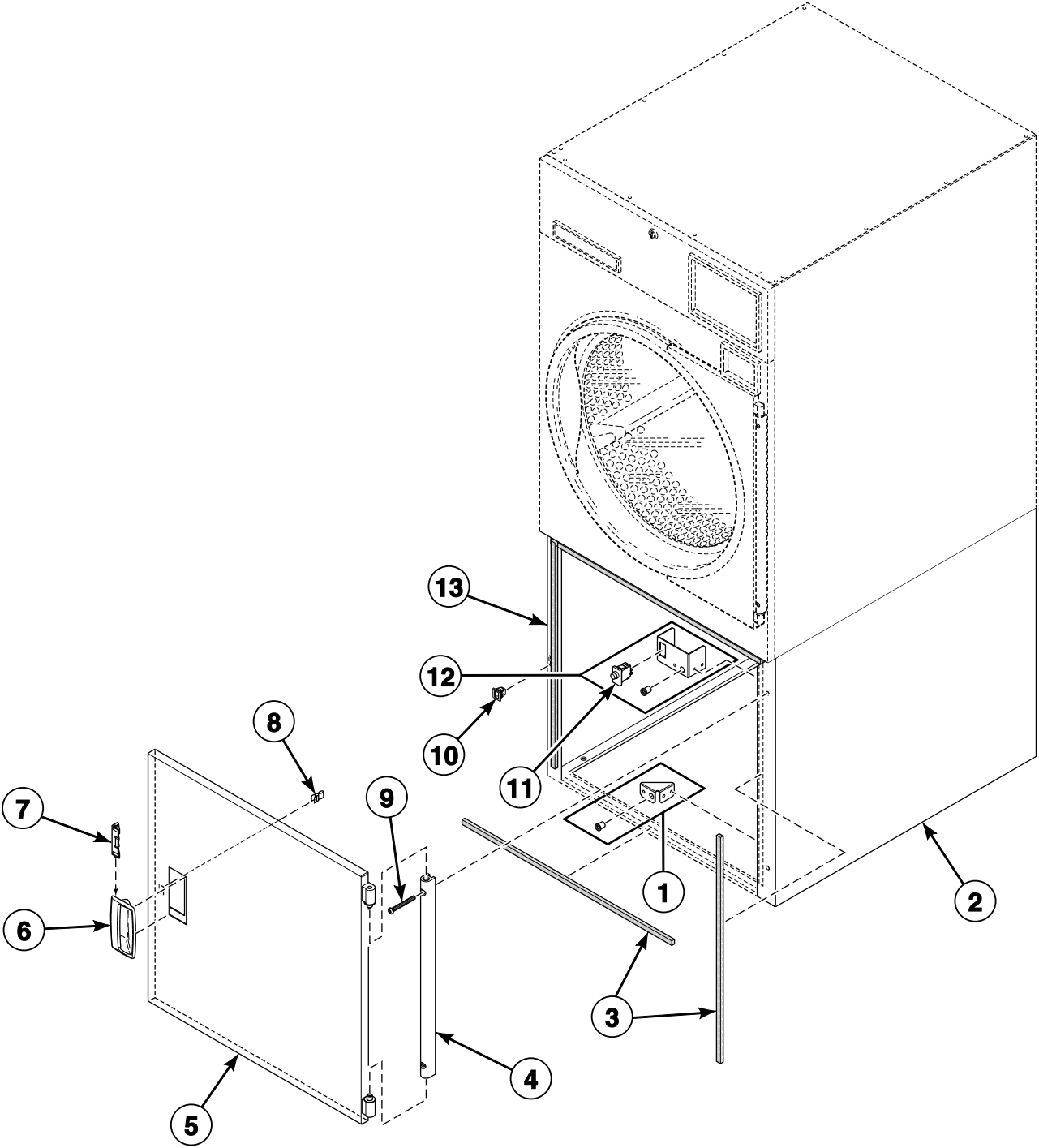
## Lower Cabinet Components

REF	PART NO.	DESCRIPTION	COMMENTS
1	70117602	Kickplate	H models; Dark gray
	70117601	Kickplate	All other models; Black
2	70154401	Handle and Caps Assembly	C, D, I, P, S and U models; Black
	70154402	Handle and Caps Assembly	H models; Dark gray
	70407205	Handle Bumper	G and K models
3	70176601*P	Lint Panel Assembly	C, D, G, I, K, L, P, S, U and Y models; Coin; Includes items 2, 9 and 11
	70176602P	Lint Panel Assembly	C, D, G, I, K, L, P, S, U and Y models; Coin; Stainless steel
	N/A	Lint Panel Assembly	C, D, G, I, K, L, P, S, U and Y models; OPL
	70176604	Lint Panel Assembly	C, D, G, I, K, L, P, S, U and Y models; OPL; Stainless steel
	70176605*	Lint Panel Assembly	H models; Coin; Includes items 2, 9 and 11
	70176606	Lint Panel Assembly	H models; Coin; Stainless steel
	70176607*	Lint Panel Assembly	G models; Coin
	70176608	Lint Panel Assembly	G models; Coin; Stainless steel
	70176609*	Lint Panel Assembly	H models; OPL
	70176610	Lint Panel Assembly	H models; OPL; Stainless steel
	70176611*	Lint Panel Assembly	G models; OPL
	70176612	Lint Panel Assembly	G models; OPL; Stainless steel
	4	430757	Screw
5	70289101P	Lint Panel Gasket	Sold per foot
6	70320001	Rear Lint Panel	
7	70132301	Screw	Attaching roller catch
8	23951	Nut	
9	70297601	Roller Catch Wheel	
10	70030201	Roller Catch Spacer	
11	70072801	Screw	
12	70030301	Roller Catch Arm	
13	51236	Nut	Attaching roller catch
14	70126301	Pop Rivet	For attaching kickplate; Black; 6 required
	70126401	Pop Rivet	For attaching kickplate; Gray; 6 required
15	56079	Panel Locator	
16	39733	Screw	

\* Add Letter To Designate Color. L - Almond Q - Bisque W - White

N/A = Part no longer available

# Lower Cabinet Components - 25 Pound S Models with Hinged Lint Door



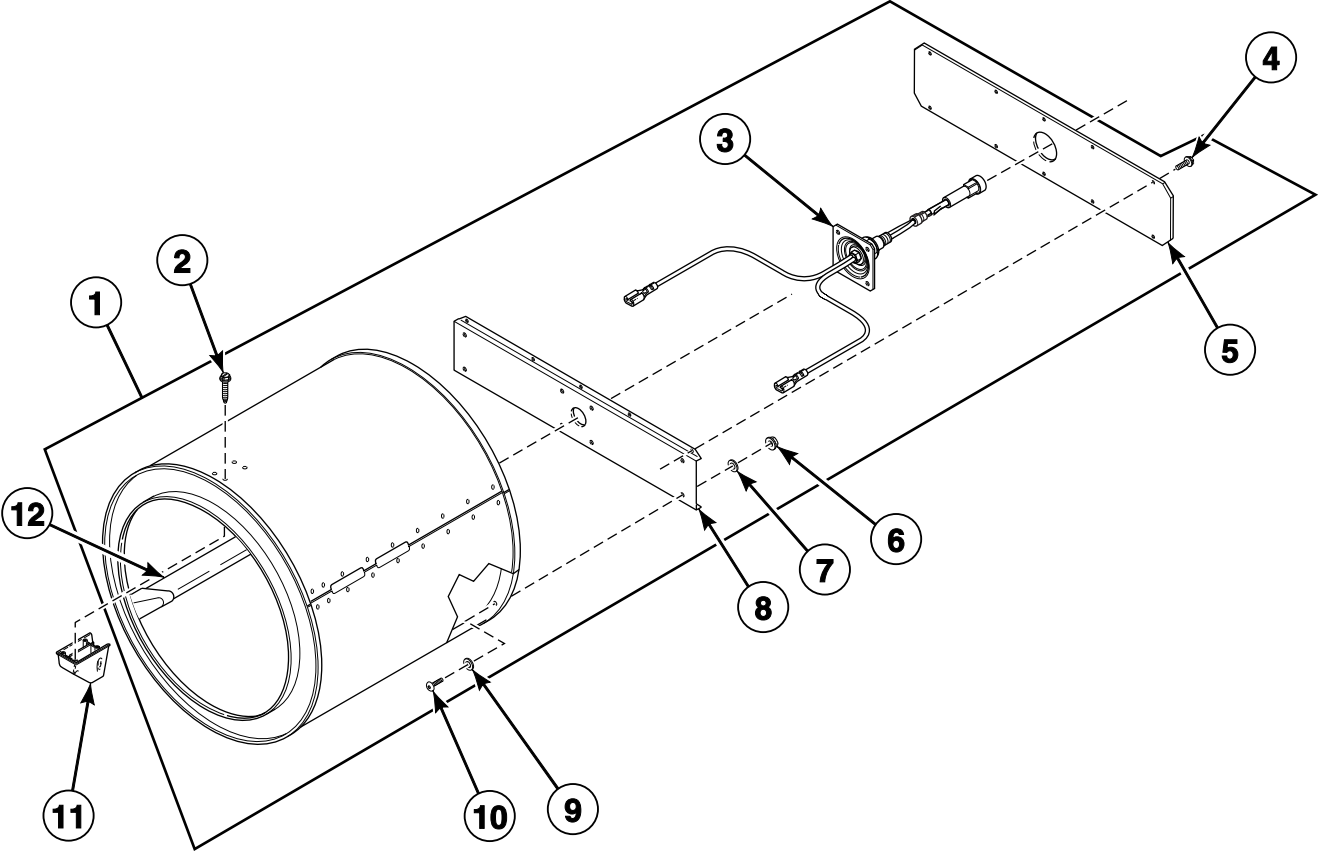
TMB1836B\_70409401

# Lower Cabinet Components - 25 Pound S Models with Hinged Lint Door

REF	PART NO.	DESCRIPTION	COMMENTS
1	70283801	Support Bracket Assembly	
2	70278001*P	Panel	Right
3	70247601	Gasket	8 required; Felt
4	44035001	Door Hinge Lug Assembly	
5	70267701*P	Hinged Door	
6	510103*P	Door Pull and Wedge Kit	
7	510129	Door Handle Wedge	
8	510181	Door Strike	
9	70033504	Screw	2 required
10	514113	Door Catch Assembly	
11	70413401	Switch Assembly	
12	70283701	Lint Switch Bracket Assembly	
13	70255801*P	Panel	Left

\* Add Letter To Designate Color. L - Almond Q - Bisque W - White

# Cylinder and Trunnion Assembly

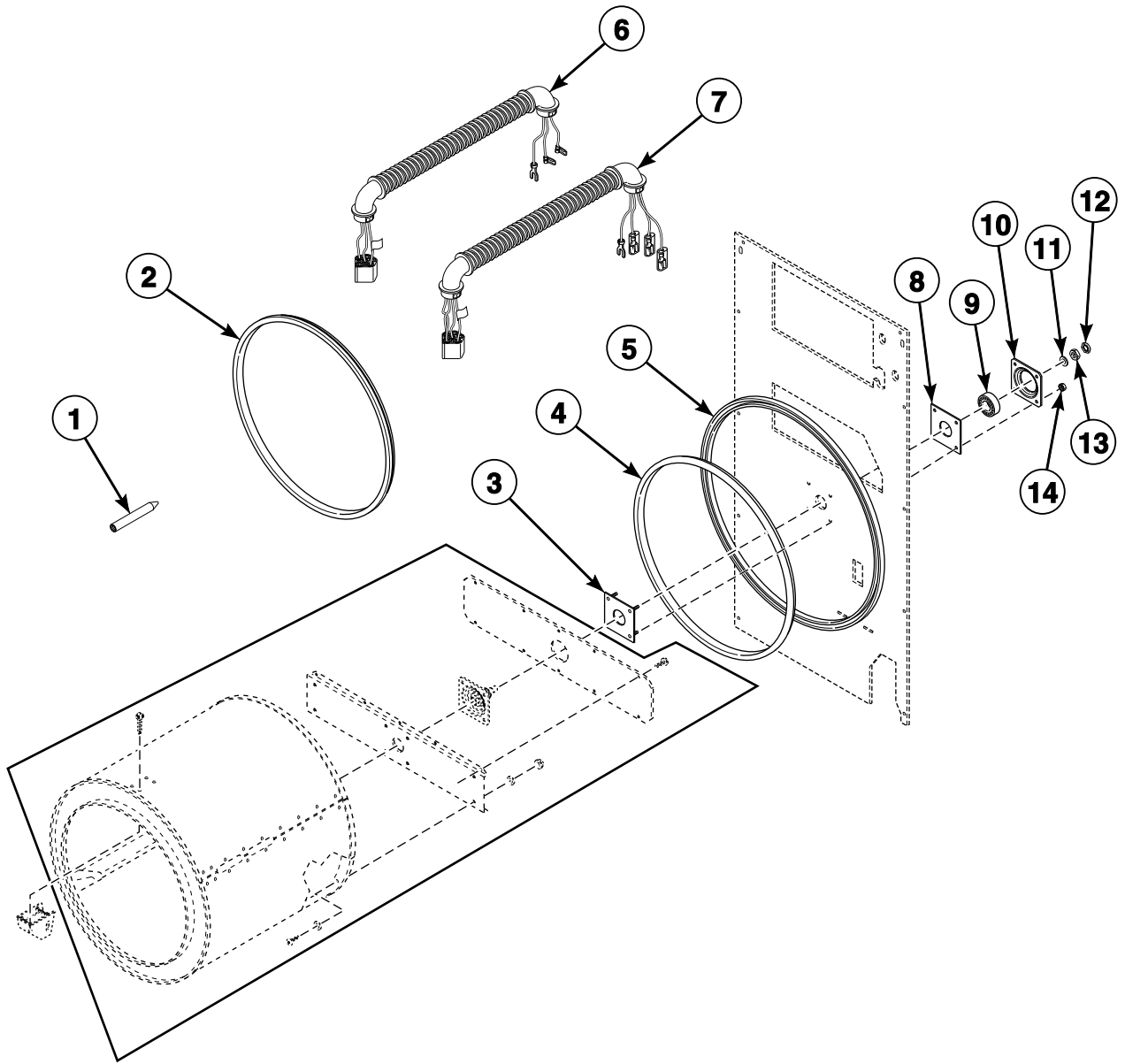


TMB3160P\_70409401

# Cylinder and Trunnion Assembly

REF	PART NO.	DESCRIPTION	COMMENTS
	70343101P	Drywall Screw Magnet Kit	
1	70372803	Cylinder Assembly	25 pound G and K models; Non-moisture sensing
	70443703	Cylinder and Trunnion Assembly	25 pound G and K models; Moisture sensing
	70372801P	Cylinder Assembly	All other 25 pound models; Galvanized; Non-moisture sensing
	70443701	Cylinder and Trunnion Assembly	All other 25 pound models; Galvanized; Moisture sensing
	70372802P	Cylinder Assembly	All other 25 pound models; Stainless steel; Non-moisture sensing
	70443702	Cylinder and Trunnion Assembly	All other 25 pound models; Stainless steel; Moisture sensing
	70372703	Cylinder Assembly	30 pound G and K models; Non-moisture sensing
	70443803	Cylinder and Trunnion Assembly	30 pound G and K models; Moisture sensing
	70372701P	Cylinder Assembly	All other 30 pound models; Galvanized; Non-moisture sensing
	70443801	Cylinder and Trunnion Assembly	All other 30 pound models; Galvanized; Moisture sensing
	70372702P	Cylinder Assembly	All other 30 pound models; Stainless steel; Non-moisture sensing
	70443802	Cylinder and Trunnion Assembly	All other 30 pound models; Stainless steel; Moisture sensing
	2	62588	Screw
3	M4961P3	Trunnion and Seal Kit	Includes 70013702 Rear Cylinder Seal; Also order 511637 Adhesive; Non-moisture sensing
	70454601	Trunnion and Wire Assembly	Moisture sensing; Includes 70244702 Trunnion Assembly
4	430497	Screw	10 required
5	70257401	Rear Cylinder Channel Plate	
6	44087201	Nut	8 required
7	M400080	Washer	4 required; Models through Serial No. 0708006765
	70411301	Washer	Models starting Serial No. 0708006766
8	70257301	Rear Cylinder Channel	Non-moisture sensing
	70257302	Rear Cylinder Channel	Moisture sensing
9	70411301	Washer	Models starting Serial No. 0708006766
10	70391101	Screw	8 required
11	70070101	End Cap	Non-moisture sensing
	70070102	End Cap	Moisture sensing
12	70433003	Cylinder Rib Assembly	25 pound models; Moisture sensing
	70433001	Cylinder Rib Assembly	30 pound models; Moisture sensing

# Cylinder Components

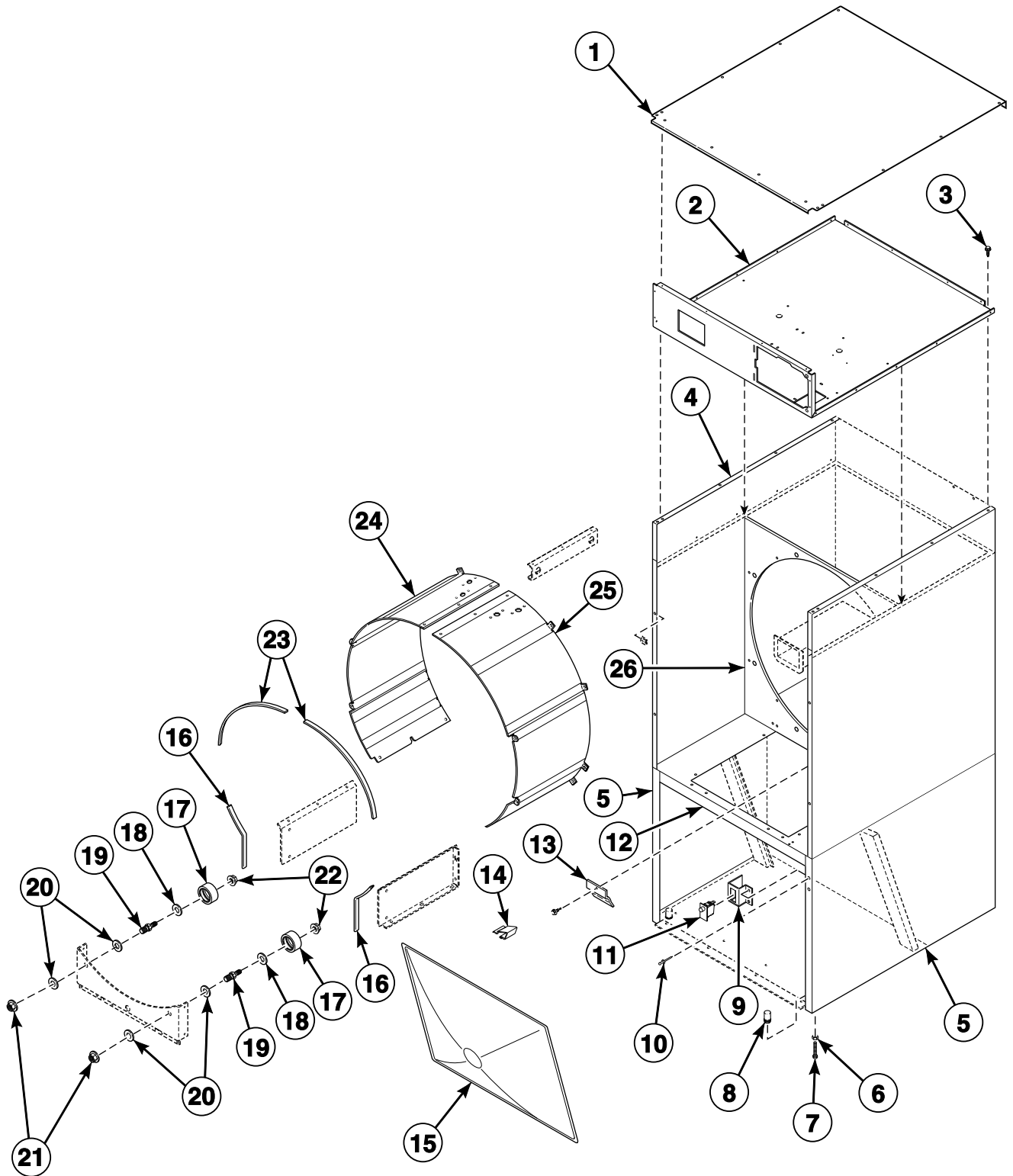


TMB2908PA\_70409401

# Cylinder Components

REF	PART NO.	DESCRIPTION	COMMENTS
	70343101P	Drywall Screw Magnet Kit	
1	263P4	Cylinder Guide Tool	
2	70066004	Center Cylinder Seal Assembly	
3	430352	Cylinder Bearing Stud Plate Assembly	
4	70013702	Rear Cylinder Seal	Use with 511637 Adhesive
5	70015301	Rear Cylinder Seal Support	
6	70401001	Cylinder Motor Harness Assembly	Models through 2/28/10; 1 Phase; 3 Phase electric models with 240 Volt and below
	70439701	Cylinder Motor Harness Assembly	Models starting 3/1/10; 1 Phase; 3 Phase electric models with 240 Volt and below
7	70401101	Cylinder Motor Harness Assembly	Models through 2/28/10; 3 Phase except electric models with 240 Volt and below
	70440101	Cylinder Motor Harness Assembly	Models starting 3/1/10; 3 Phase except electric models with 240 Volt and below
	70465801	Cylinder Motor Harness Assembly	Reversing models
8	70355001	Rear Bearing Shim	
9	70448701	Support Bearing	
10	70013901	Rear Cylinder Bearing Housing	
11	M400991	Washer	
12	M400034	Nut	
13	M400022	Nut	
14	M412986	Nut	4 required

# Cabinet Components



TMB3009P\_70409401



# Cabinet Components

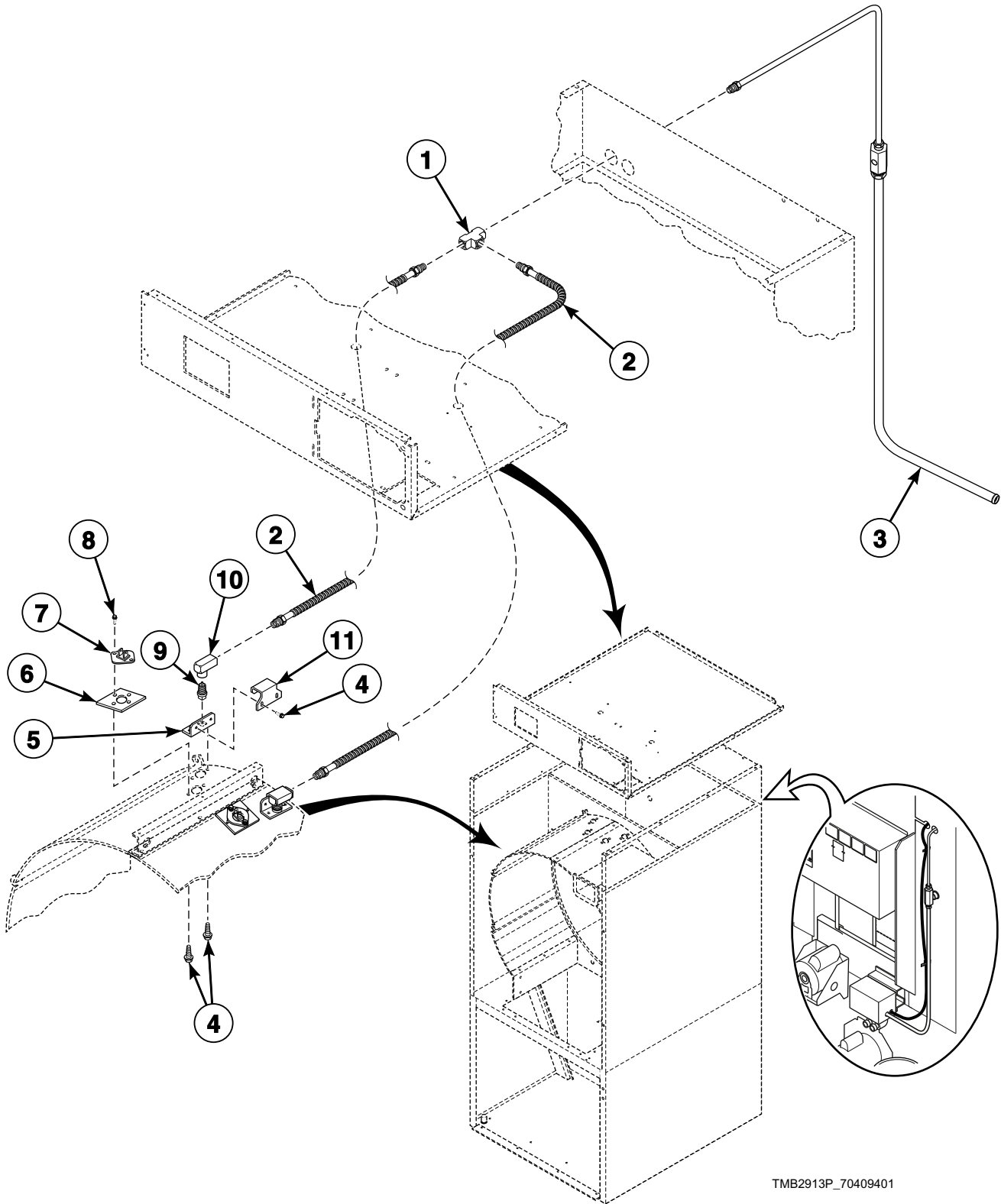
REF	PART NO.	DESCRIPTION	COMMENTS
	M4379P4	Tumbler Dolly Kit	
	298P4P	Spray Paint	White
	297P4	Spray Paint	Almond
	286P4	Spray Paint	Blue
	122P4P	Porcelain Touch-Up Paint	White
	215P4P	Porcelain Touch-Up Paint	Almond
	370P4P	Porcelain Touch-Up Paint	Bisque
1	70059801	Flat Top	25 pound models
	70000301	Flat Top	30 pound models
2	70253001	Top Pan	25 pound models
	70252901	Top Pan	30 pound models
3	430497	Screw	
4	70060102*P	Side Panel	25 pound models; Upper
	70021502*P	Side Panel	30 pound models; Upper
5	70253901*P	Side Panel	25 pound models; Lower
	70253801*P	Side Panel	30 pound models; Lower
6	21899	Nut	
7	34319	Leveling Leg	
8	70063201	Hole Plug	
9	70277301	Lint Panel Switch Bracket	
10	70058501	Pop Rivet	16 required; Upper side panel
11	70413401	Switch Assembly	
12	70252401	Center Pan	25 pound models
	N/A	Center Pan	30 pound models
13	70054501	Lint Screen Clip	25 pound models
14	35865	Hold-Down Clip	
15	70325601	Lint Screen	
16	70015709	Sheet Metal Edge Gasket	Lower
17	70298701P	Roller Bearing Assembly	
18	70443601	Roller Seal	Models starting 3/1/10
19	70249501	Roller Shaft	
20	70261401	Washer	
21	M404993	Nut	
22	430576	Nut	
23	70015710	Sheet Metal Edge Gasket	Upper
24	70427202	Cylinder Shroud	25 pound models; Left
	70427302	Cylinder Shroud	30 pound models; Left
25	70427201	Cylinder Shroud	25 pound models; Right
	70427301	Cylinder Shroud	30 pound models; Right
26	70252601	Center Partition	

\* Add Letter To Designate Color. L - Almond Q - Bisque W - White

N/A = Part no longer available

# Fire Suppression System Components

C, D, G, H, I, K, L, P, S, and U Models



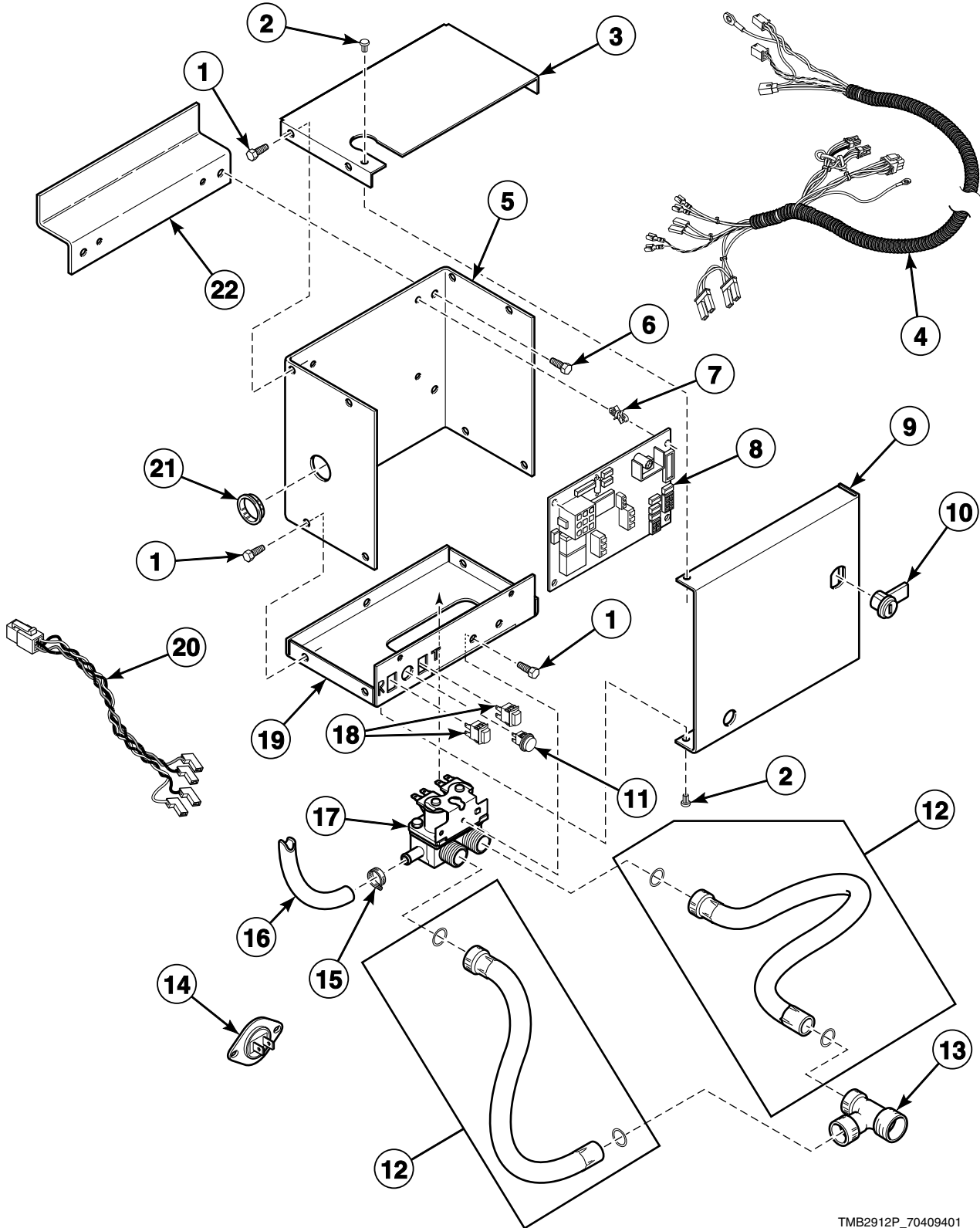
TMB2913P\_70409401

## Fire Suppression System Components

REF	PART NO.	DESCRIPTION	COMMENTS
1	70427901	Union Tee	
2	70427701	Spray Nozzle Hose	2 required
3	70427601	Tube Assembly	
4	430497	Screw	12 required
5	70424201	Nozzle Bracket	2 required
6	70424401	Thermistor Plate	2 required
7	44064701	Thermistor	2 required
8	51780	Screw	4 required
9	70427801	Spray Nozzle	2 required
10	70428101	Elbow	2 required
11	70428601	Nozzle Bracket	2 required

# Fire Suppression System Control Box

C, D, G, H, I, K, L, P, S, and U Models

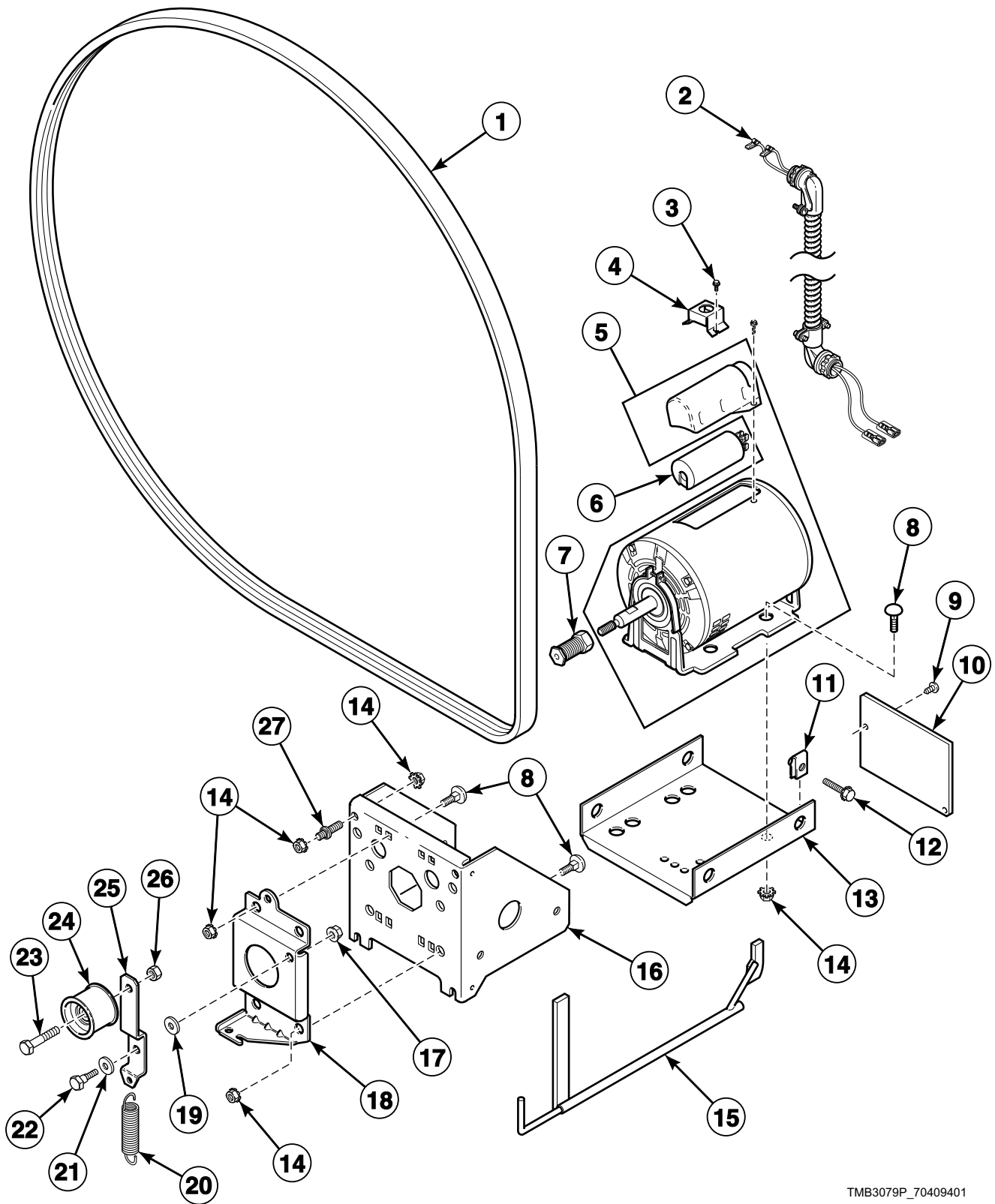


TMB2912P\_70409401

## Fire Suppression System Control Box

REF	PART NO.	DESCRIPTION	COMMENTS
1	430497	Screw	
2	M400713	Drive Rivet	
3	44065401	Control Box Top	
4	70426501P	Control Harness	
5	44065101	Control Box Housing	
6	51780	Screw	
7	501523	Circuit Board Support	4 required
8	44063801P	Control	
9	44065201	Control Box Cover	
10	44089301P	Lock, Key and Nut Kit	RL001 key code; Optional if same key is to be used for control lock
11	801432	Light	
12	F200116	Water Hose	2 required; Non-CE and non-Australian models
	38349P	Fill Hose Kit	CE and Australian models
13	44069101	Hose Fitting	Non-CE and non-Australian models
14	44064701	Thermistor	2 required
15	36801	Hose Clamp	
16	44073304	Hose	14 inches; Outlet hose
17	36958P	Mixing Valve	
18	801434W	Push-to-Start Switch	2 required
19	44065301	Control Box Base	
20	70426601P	Sensor Harness	
21	70178701	Snap Bushing	
22	44065901	Bracket	

# Drive Motor Components for Nonreversing Models

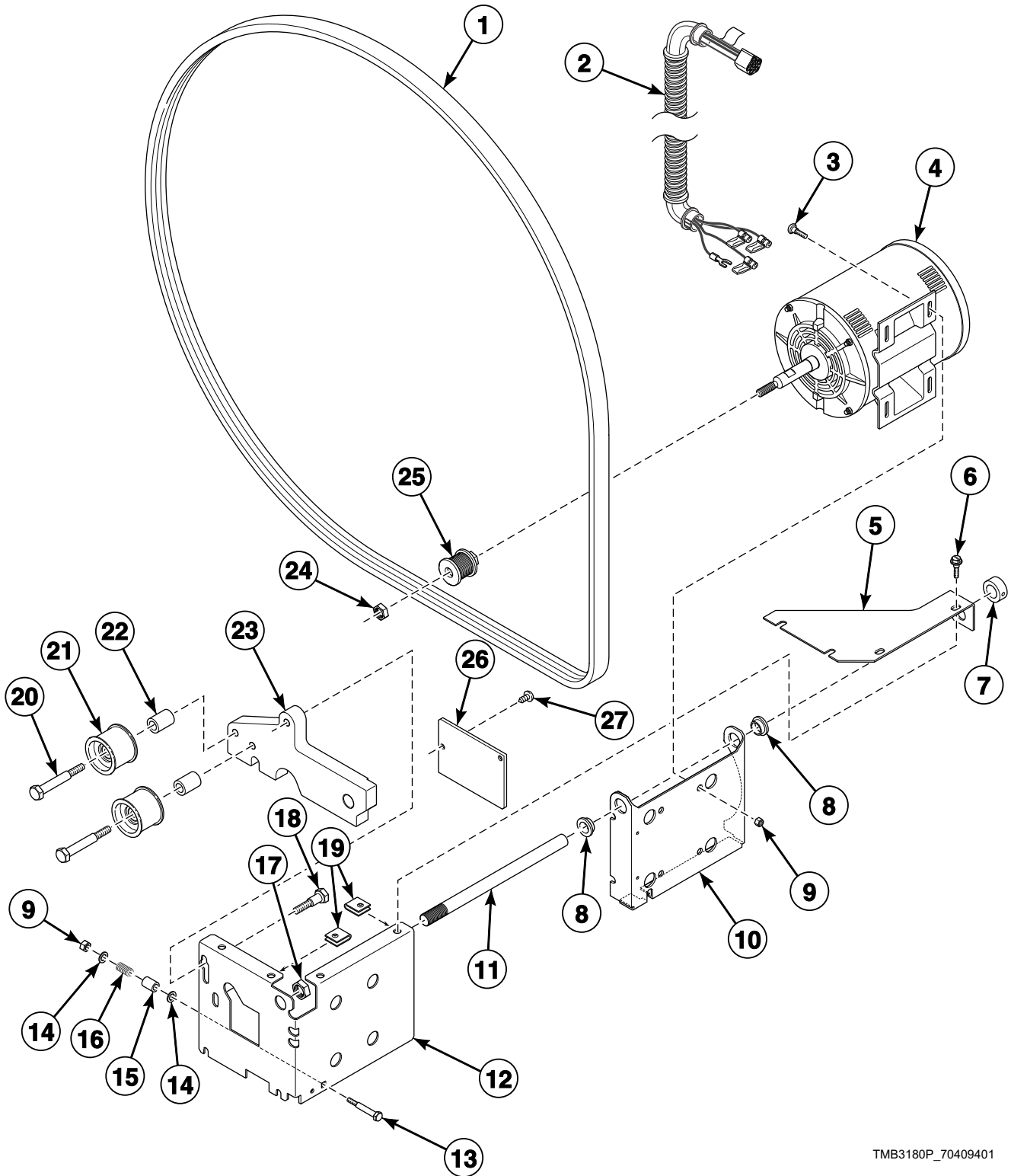


TMB3079P\_70409401

## Drive Motor Components for Nonreversing Models

REF	PART NO.	DESCRIPTION	COMMENTS
1	70276205P	Belt	95.11 inches
2	70401001	Cylinder Motor Harness Assembly	Models through 2/28/10; 1 Phase; 3 Phase electric models with 240 Volt and below
	70401101	Cylinder Motor Harness Assembly	Models through 2/28/10; 3 Phase except electric models with 240 Volt and below
	70439701	Cylinder Motor Harness Assembly	Models starting 3/1/10; 1 Phase; 3 Phase electric models with 240 Volt and below
	70440101	Cylinder Motor Harness Assembly	Models starting 3/1/10; 3 Phase except electric models with 240 Volt and below
3	23222	Screw	2 required
4	70321701	Motor Conduit Mounting Bracket	
5	70337801P	Drive Motor	100 or 100-200 Volt/50 Hertz/1 Phase and 100 or 100-200 or 120 or 208-240 Volt/60 Hertz/1 Phase; Electric models, 200 volt/50 Hertz/1 Phase, 200 or 208 or 240 Volt/60 Hertz/1 Phase, 200 Volt/50 Hertz/3 Phase, 200-208 or 240 Volt/60 Hertz/3 Phase
	70337901P	Drive Motor Kit	120 or 208-240 Volt/60 Hertz/1 Phase; Low Amp
	70338001P	Drive Motor Kit	230 or 230-240 Volt/50 Hertz/1 Phase; Electric models, 230 or 230-240 Volt/50 Hertz/3 Phase
	70338101P	Drive Motor	200 or 230, 230-240, 380, 400, 400-415 Volt/50 Hertz/3 Phase; 200-208 or 240, 380, 440, 460-480 Volt/60 Hertz/3 Phase
6	M410296	Motor Capacitor	Start; For 70337801P Drive Motor and 70338001P Drive Motor Kit
	70211502	Motor Capacitor	Start; For 70337901 Drive Motor on 20 Amp models
	70211401	Motor Capacitor	Run; For 70337901 Drive Motor on 20 Amp models
7	70284202	Motor Pulley	60 Hertz
	70284204	Motor Pulley	50 Hertz
8	70062401	Bolt	
9	430497	Screw	
10	70202501	Drive Access Cover	
11	27222	Nut	4 required
12	M412985	Screw	
13	70127301	Motor Mount Bracket	
14	M412986	Nut	
15	M4853P3	Belt Tension Tool Kit	
16	70261701	Motor Channel	
17	29796	Nut	
18	70443301	Idler Bracket	
19	70270301	Washer	
20	70045301	Drum Idler Spring	With silencer
21	70265901	Washer	
22	M400056	Screw	
23	430648	Screw	
24	70050401P	Idler Wheel Assembly	
25	70259901	Cylinder Idler Arm	
26	56156	Nut	
27	70334701	Double Ended Stud	

# Drive Motor Components for Reversing Models



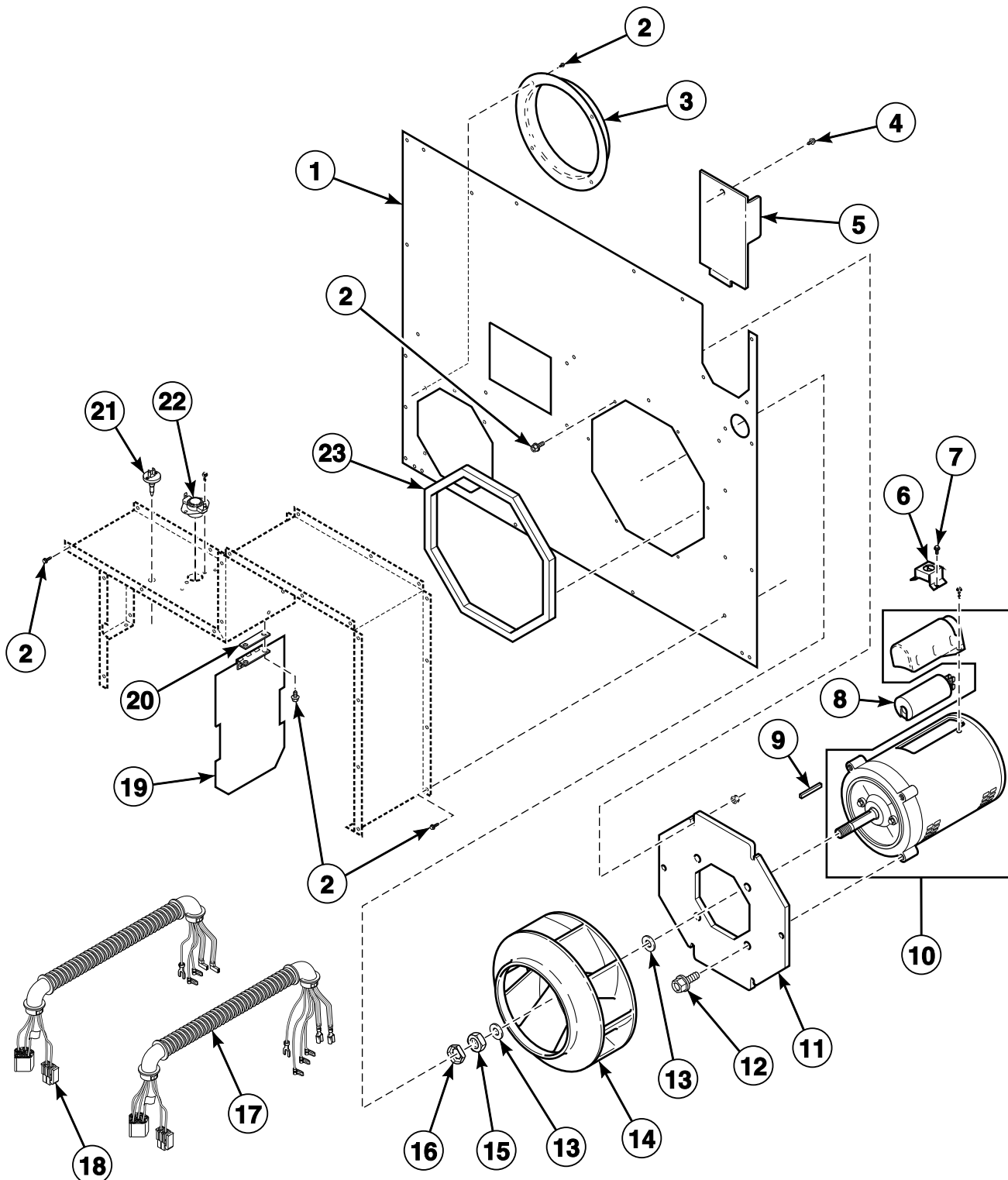
TMB3180P\_70409401



## Drive Motor Components for Reversing Models

REF	PART NO.	DESCRIPTION	COMMENTS
1	70276205P	Belt	
2	70465801	Cylinder Motor Harness Assembly	
3	70062401	Bolt	4 required
4	70459001	Drive Motor	200-208 or 240, 440, 460-480 Volt/60 Hertz/3 Phase and 380, 400-415 Volt/50 Hertz/3 Phase
5	70464201	Motor Plate Cover	2 required
6	M400057	Screw	8 required
7	70467001	Shaft Collar	
8	44239501	Bushing	2 required
9	M412986	Nut	5 required
10	70464301	Drive Motor Plate	
11	70464401	Support Rod	
12	70464101	Motor Bracket	
13	70467501	Bolt	
14	M405535	Washer	2 required
15	70471701	Spacer	
16	70467601	Compression Spring	
17	F431025	Nut	
18	M400043	Screw	4 required
19	27222	Nut	4 required
20	F8368701	Screw	2 required
21	70050401P	Idler Wheel Assembly	2 required
22	70464601	Idler Spacer	2 required
23	70464501	Idler Holder	
24	70466601	Nut	
25	70457401	Motor Pulley	60 Hertz
26	70466001	Belt Access Cover	
27	430497	Screw	

# Blower Components



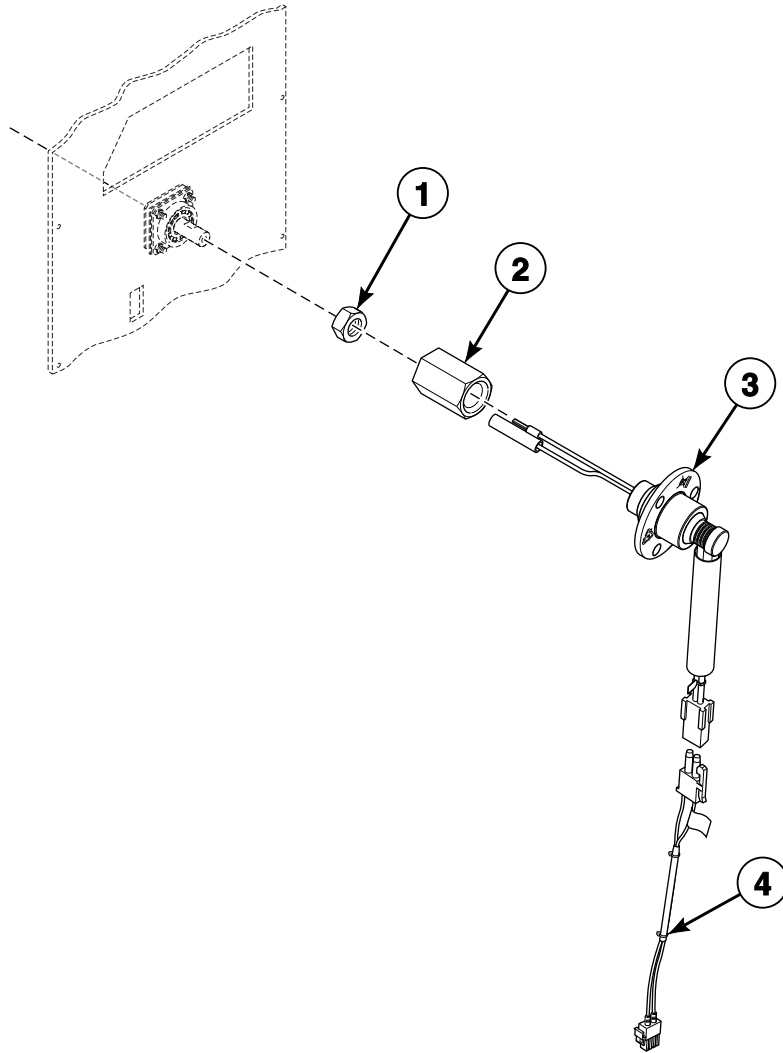
TMB2652P\_70409401

# Blower Components

REF	PART NO.	DESCRIPTION	COMMENTS
1	70290101	Lower Rear Panel	
2	430497	Screw	
3	70017801	Exhaust Thimble	6 inches
4	M411072	Screw	
5	70196301	Drive Access Cover	
6	70321701	Motor Conduit Mounting Bracket	
7	23222	Screw	2 required
8	70211501	Motor Capacitor	Start; For all blower motors except 70342601P Blower Motor
9	70144101	Key	
10	70337501P	Blower Motor	100 or 100-200 Volt/50 Hertz/1 Phase and 100 or 100-200 or 120 or 208-240 Volt/60 Hertz/1 Phase; Electric models, 200 volt/50 Hertz/1 Phase, 200 or 208 or 240 Volt/60 Hertz/1 Phase, 200 Volt/50 Hertz/3 Phase, 200-208 or 240 Volt/60 Hertz/3 Phase
	70337601P	Blower Motor Kit	120 or 208-240 Volt/60 Hertz/1 Phase; Low Amp
	70337701P	Blower Motor Kit	230 or 230-240 Volt/50 Hertz/1 Phase; Electric models, 230 or 230-240 Volt/50 Hertz/3 Phase
	70342601P	Blower Motor	200 or 230, 230-240, 380, 400, 400-415 Volt/50 Hertz/3 Phase; 200-208 or 240, 380, 440, 460-480 Volt/60 Hertz/3 Phase
11	70349601	Blower Motor Mounting Plate	
12	70126101	Screw	
13	M400991	Washer	
14	70359801P	Blower Assembly	
15	M400022	Nut	
16	M400034	Nut	
17	70401301	Fan Motor Harness Assembly	Models through 2/28/10; 3 Phase except electric models with 240 Volt and below
	70440201	Fan Motor Harness Assembly	Models starting 3/1/10; 3 Phase except electric models with 240 Volt and below
18	70401201	Fan Motor Harness Assembly	Models through 2/28/10; 1 Phase; 3 Phase electric models with 240 Volt and below
	70439801	Fan Motor Harness Assembly	Models starting 3/1/10; 1 Phase; 3 Phase electric models with 240 Volt and below
19	70209501	Damper and Hinge Exhaust Assembly	
20	N/A	Damper Spacer	
21	M414704	Thermistor	
22	M411945	Manual Reset Thermostat	Australian models
	M411307	Limit Thermostat	All other models
23	70392701P	Gasket	For blower housing opening

**N/A = Part no longer available**

# Moisture Sensing Components



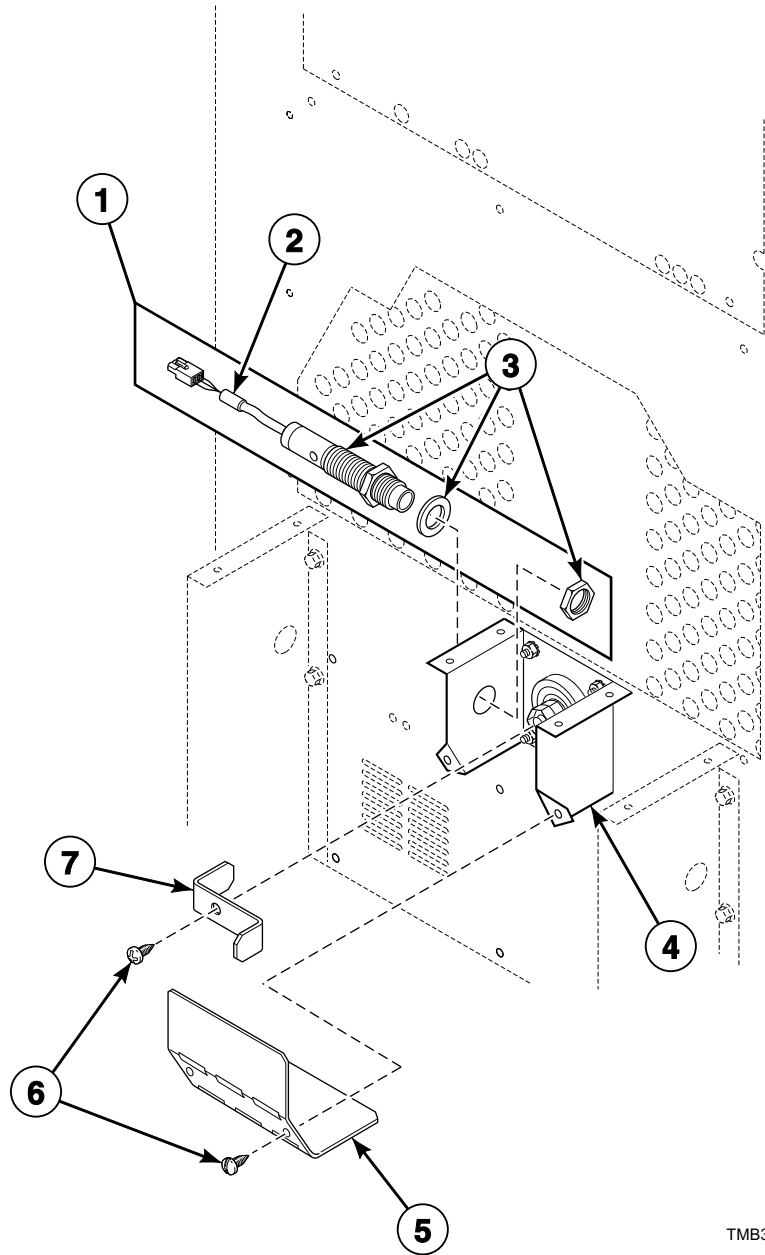
TMB3147P\_70409401

# Moisture Sensing Components

REF	PART NO.	DESCRIPTION	COMMENTS
	70468901	Moisture Sensor Test Wires	Use to troubleshoot the moisture sensor circuit
1	M400035	Nut	
2	44224401	Slip Ring Holder	
3	44240201	Slip Ring Assembly	
4	70448901	Moisture Sensor Harness Assembly	

# Rotation Sensor

C, D, H, I, S and U Models

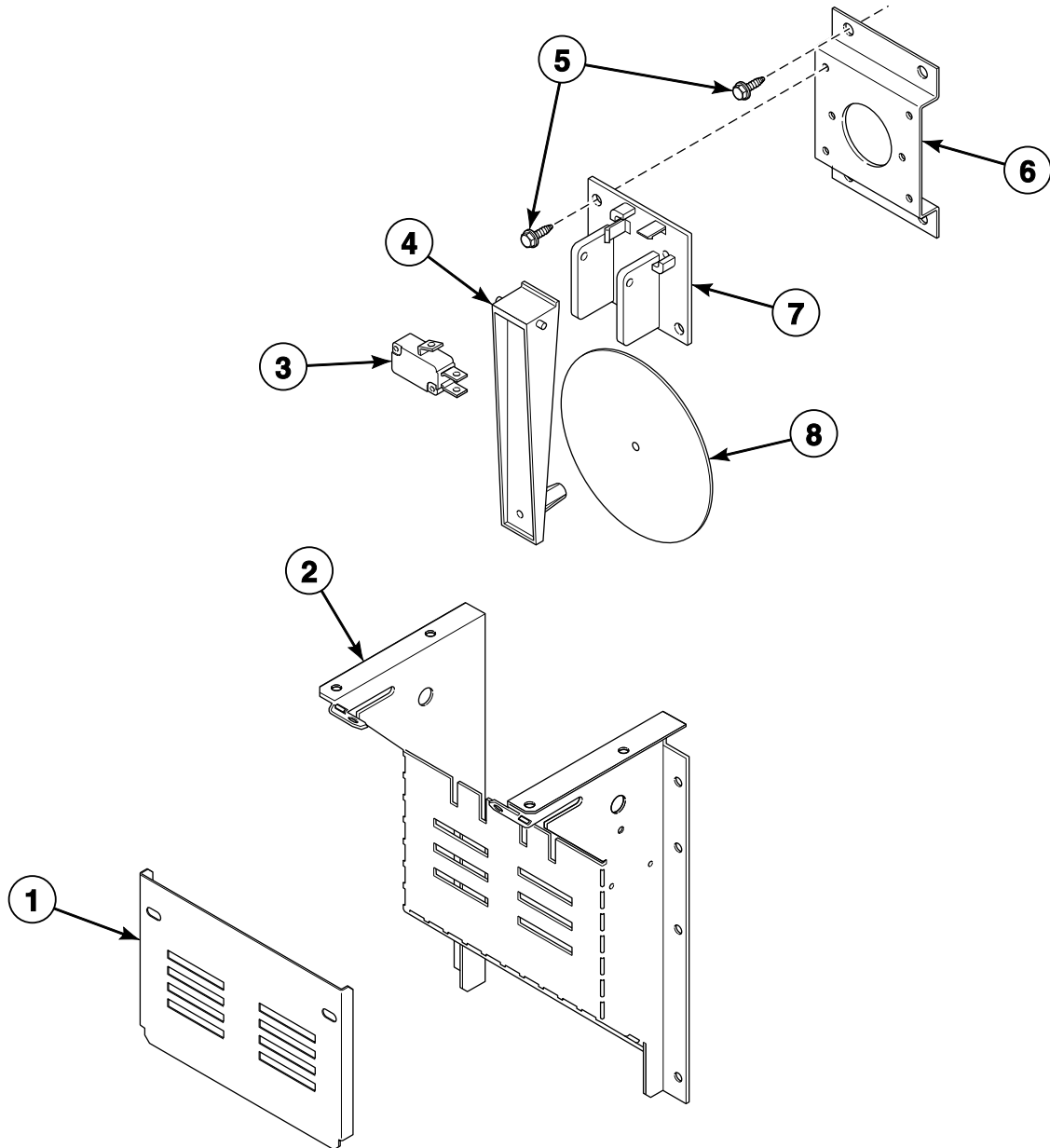


TMB3172P\_70409401

# Rotation Sensor

REF	PART NO.	DESCRIPTION	COMMENTS
1	7009P	Rotation Sensor Kit	Includes items 2, 3 and 7; Models with 3B, 3O, 3V, 3W, 3X, DO, DV, DX and R3 control suffixes
2	70476101	Rotation Sensor Harness	Models with 3B, 3O, 3V, 3W, 3X, DO, DV, DX and R3 control suffixes
	F8066401	Rotation Sensor Harness	Models with EO, RE, RU and UO control suffixes
3	F8066201	Rotation Sensor	
4	70021401	Bearing Housing Bracket	
5	44044301	Rotation Sensor Cover	
6	70153301	Screw	
7	44044401	Rotation Sensor Bracket	

# Airflow Switch



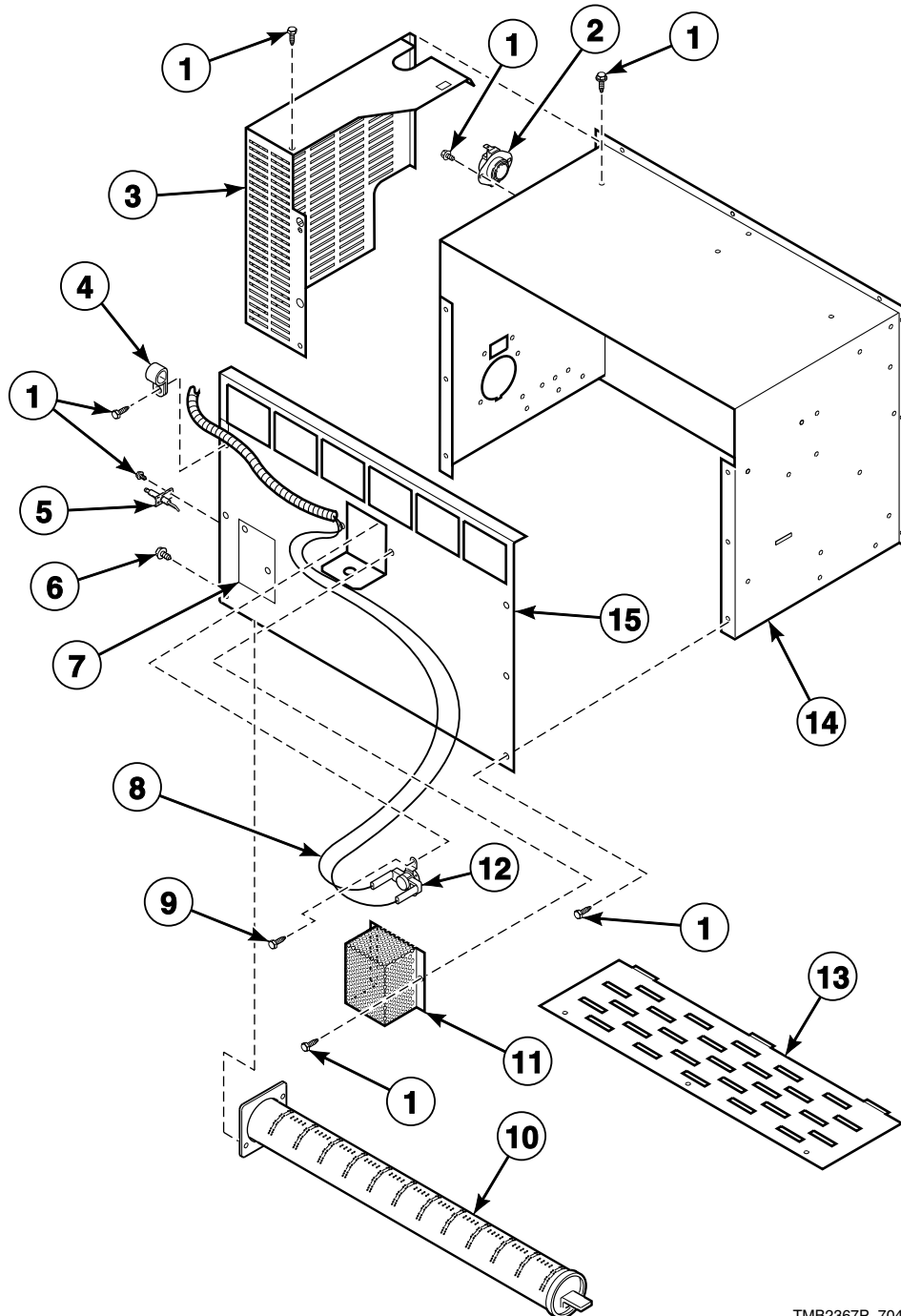
TMB3126P\_70409401



# Airflow Switch

REF	PART NO.	DESCRIPTION	COMMENTS
1	70356601	Airflow Switch Cover	Non-moisture sensing
	70465701	Airflow Switch Cover	Moisture sensing
2	70356101	Airflow Switch Wrapper	
3	70411901	Switch	
4	70319401	Airflow Switch Arm	
5	430497	Screw	
6	70356301	Switch Bracket	
7	70319601	Airflow Switch and Arm Bracket	
8	70319201	Airflow Switch Vane	

# Gas Burner Housing and Secondary Stove Limit

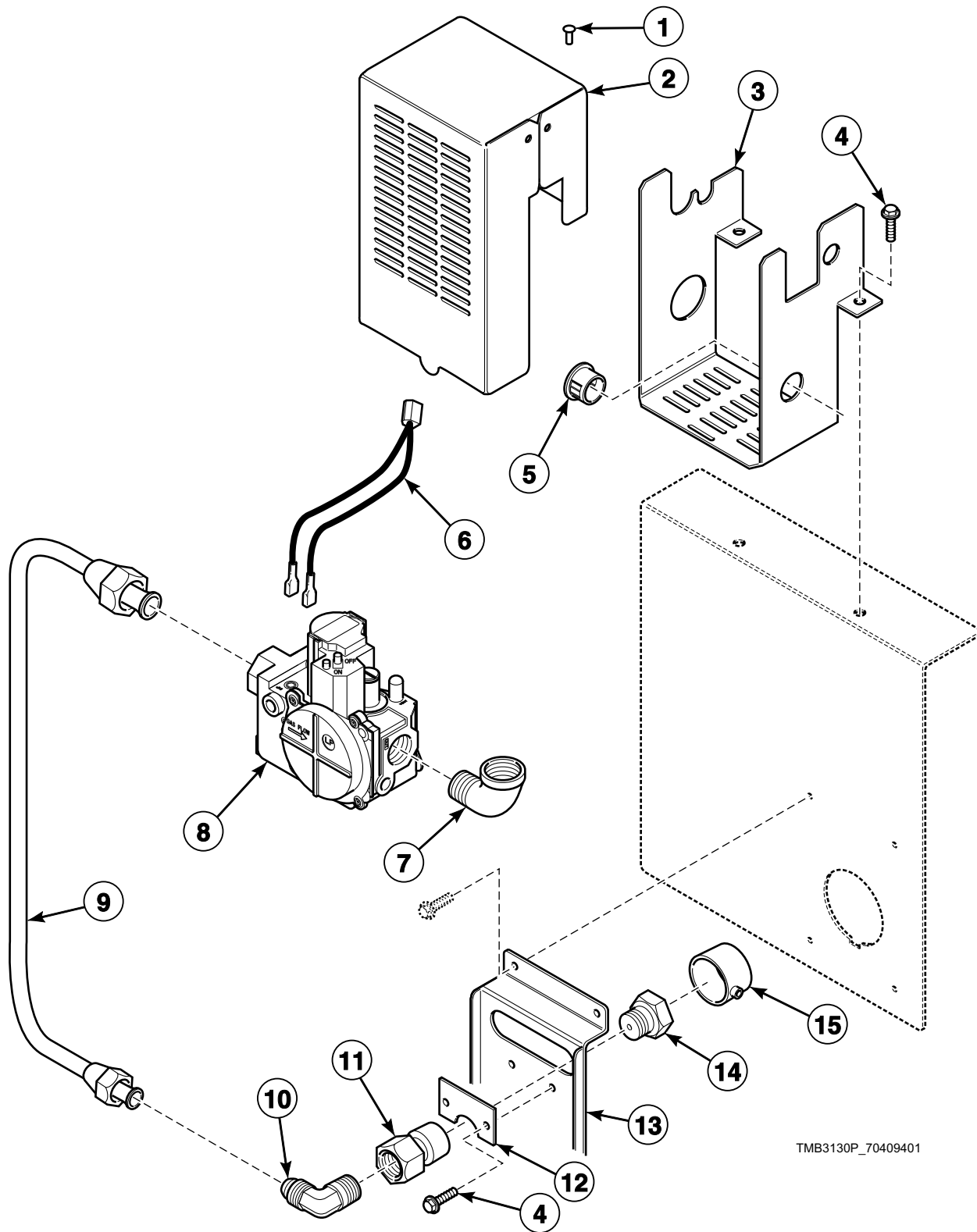


TMB2367P\_70409401

## Gas Burner Housing and Secondary Stove Limit

REF	PART NO.	DESCRIPTION	COMMENTS
	M4902P3	Stove Limit Kit	Australian models; Models through Serial No. 0311000078; In addition, order 70299101 Secondary Stove Limit Kit
1	430497	Screw	
2	70186301	Manual Reset Thermostat	Australian and Korean models
	M410542	Limit Thermostat	All other models
3	70381001	Gas Valve Cover	CE and Australian models
4	70203701	Pipe Clip	
5	70032801P	Spark Electrode	Models through 9/16/12
	70466501	Spark Electrode	Models starting 9/17/12
6	05161	Screw	
7	70159601	Igniter Cover	
8	70316501	Stove Limit Harness	
9	M405188	Screw	2 required
10	70229801P	Gas Burner	
11	M414477	Thermostat Cover	
12	70299001	Limit Thermostat	Secondary
13	70188801	Burner Grill	
14	70333401	Stove Top and Sides	
15	70297401	Stove Back	

# Gas Valve Assembly - Non-CE and Non-Australian Gas Models

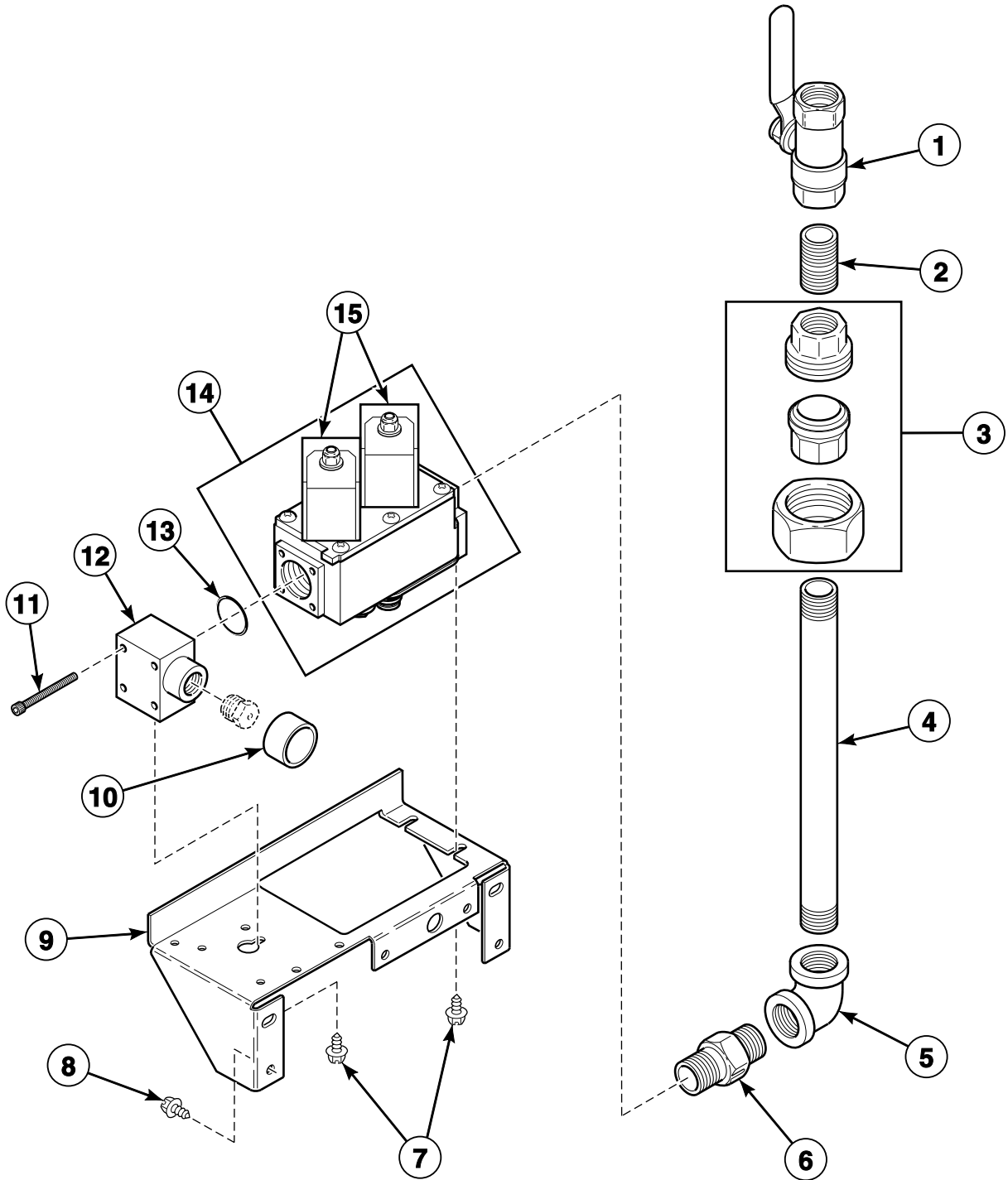


TMB3130P\_70409401

# Gas Valve Assembly - Non-CE and Non-Australian Gas Models

REF	PART NO.	DESCRIPTION	COMMENTS
	M4699P3	L.P. Conversion Kit	25 pound models; Natural Gas (N.G.); 0-2,000 feet; 64,000 Btu input
	M4703P3	L.P. Conversion Kit	30 pound models; N.G.; 0-2,000 feet; 73,000 Btu input
	M4706P3	L.P. Conversion Kit	30 pound models; N.G.; 8,001-10,000 feet; 73,000 Btu input
	M4969P3	Replacement Gas Valve Kit	N.G.; Use to replace old valve before 2/1/10 with new valve
	M4971P3	Replacement Gas Valve Kit	Liquid Petroleum Gas (L.P.); Use to replace old valve before 2/1/10 with new valve
<b>1</b>	M405750	Pop Rivet	4 required
<b>2</b>	70429901	Gas Valve Cover	
<b>3</b>	70429801	Gas Valve Bracket	
<b>4</b>	430497	Screw	10 required
<b>5</b>	M400770	Snap Bushing	
<b>6</b>	M412997	Harness Assembly	
<b>7</b>	H86070034	Street Elbow	
<b>8</b>	44154501P	Gas Valve	N.G.
	44154502P	Gas Valve	L.P.
<b>9</b>	70271201	Gas Line Assembly	
<b>10</b>	70208701	Elbow	2 required
<b>11</b>	70379301	Orifice Adapter	
<b>12</b>	70249001	Orifice Keeper Bracket	
<b>13</b>	70248901	Orifice Holder Bracket	
<b>14</b>	M403017	Burner Orifice	L.P.; Drill no. 42 (2.4 mm); 25 pound models 0-2,000 feet; 30 pound models 2,001-6,000 feet
	M406184	Burner Orifice	L.P.; Drill no. 43 (2.3 mm); 25 pound models 2,001-6,000 feet; 30 pound models 6,001-8,000 feet
	M401011	Burner Orifice	L.P.; Drill no. 44 (2.2 mm); 25 pound models 6,001-8,000 feet; 30 pound models 8,000-10,000 feet
	M401003	Burner Orifice	L.P.; Drill no. 46 (2.1 mm); 25 pound models; 8,000-10,000 feet
	M406361	Burner Orifice	L.P.; Drill no. 40 (2.5 mm); 30 pound models; 0-2,000 feet
	M402980	Burner Orifice	N.G.; Drill no. 24 (3.9 mm); 25 pound models 0-2,000 feet; 30 pound models 4,001-6,000 feet
	M401000	Burner Orifice	N.G.; Drill no. 26 (3.7 mm); 25 pound models 2,001-4,000 feet; 30 pound models 6,001-8,000 feet
	M400998	Burner Orifice	N.G.; Drill no. 27 (3.7 mm); 25 pound models; 4,001-6,000 feet
	M401014	Burner Orifice	N.G.; Drill no. 28 (3.6 mm); 25 pound models 6,001-8,000 feet; 30 pound models 8,000-10,000 feet
	M400997	Burner Orifice	N.G.; Drill no. 29 (3.4 mm); 25 pound models; 8,000-10,000 feet
	M401002	Burner Orifice	N.G.; Drill no. 33 (2.9 mm); 30 pound models; 0-2,000 feet
	M402996	Burner Orifice	N.G.; Drill no. 22 (4.0 mm); 30 pound models; 2,001-4,000 feet
<b>15</b>	70239801	Primary Air Adjustment Sleeve	

# Gas Valve and Piping - CE and Australian Gas Models



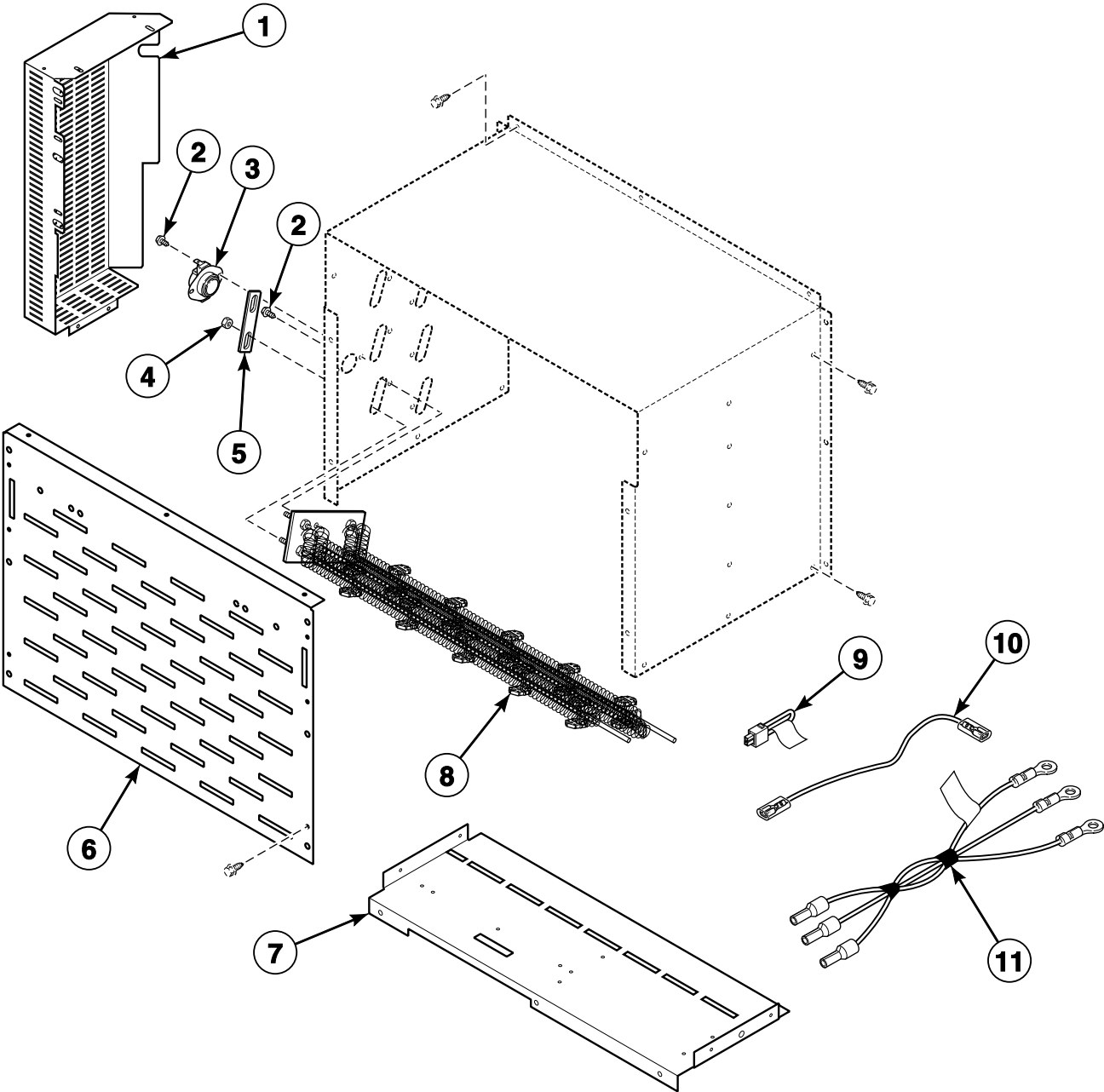
TMB3122P\_70409401

## Gas Valve and Piping - CE and Australian Gas Models

REF	PART NO.	DESCRIPTION	COMMENTS
	M4699P3	L.P. Conversion Kit	25 pound models
	M4703P3	L.P. Conversion Kit	30 pound models
1	M412562P	Gas Shut-Off Valve	Models through 1/31/10
2	901403	Pipe Nipple	1/2 NPT; Models through 1/31/10
3	H86000031	Union	Models through 1/31/10
4	70139601	Pipe Nipple	
5	70079601	Elbow	
6	70131901	Adapter	BPT/NPT
7	23222	Screw	
8	430497	Screw	
9	70233301	Gas Valve Bracket	
10	70239801	Primary Air Adjustment Sleeve	
11	431484	Screw	
12	70223501	Spud Adapter	
13	431482	O-Ring	
14	70457301P	N.G. Valve	Regulated
	70457302P	L.P. Valve	Unregulated
15	70260101	Gas Valve Coil	24 Volt

**NOTE: For CE gas and orifice information, refer to Installation Manual.**

# Electric Heater Components



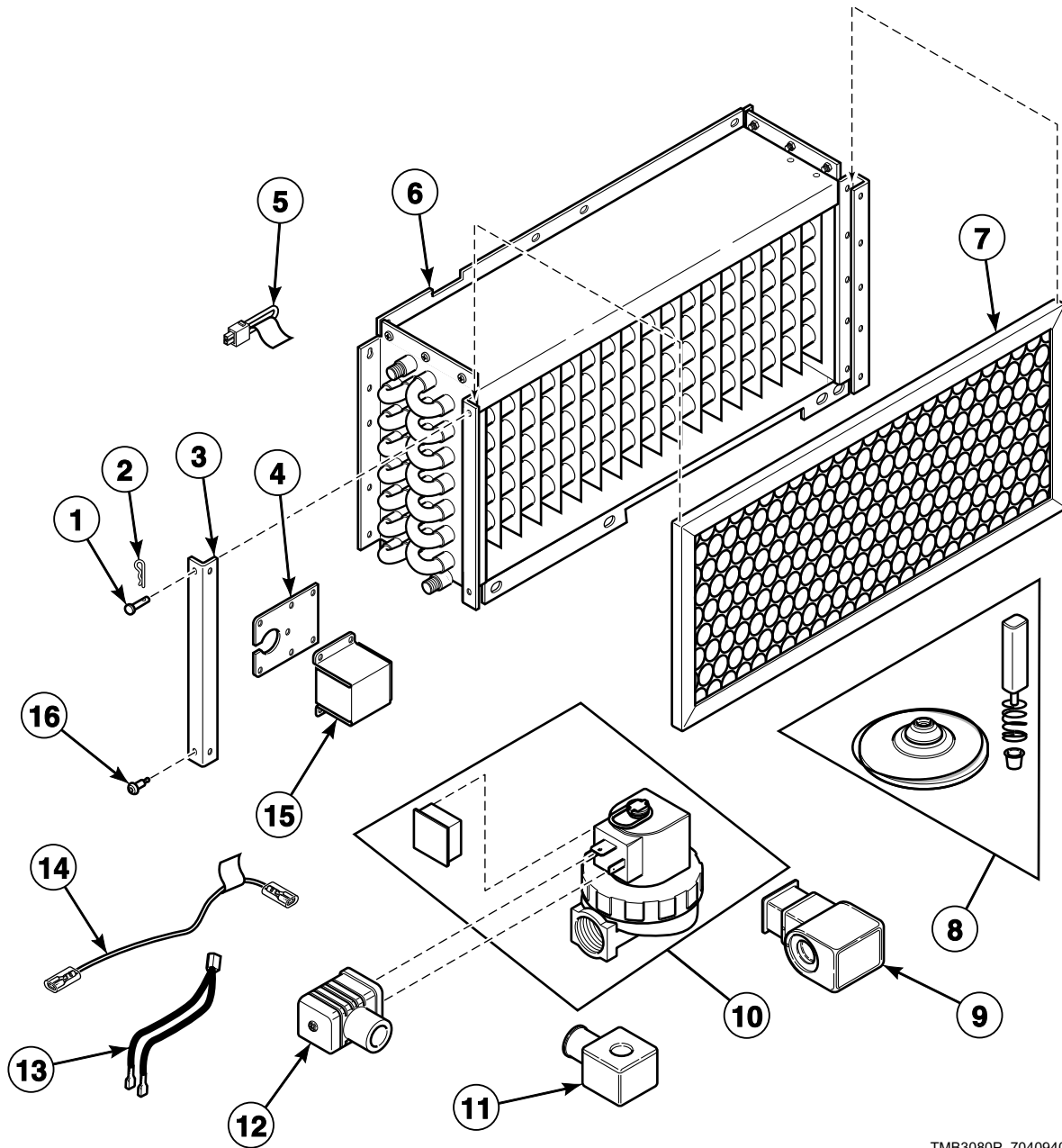
TMB3148P\_70409401



## Electric Heater Components

REF	PART NO.	DESCRIPTION	COMMENTS
1	70365201	Stove Connectors Cover	
2	430497	Screw	
3	M410542	Limit Thermostat	25 pound models
	M409443	Limit Thermostat	30 pound models
4	70054	Nut	
5	70066501	Jumper Bar	2 required on 380, 400, 400-415 and 460-480 Volt
	M400869	Jumper Strip	3 required for 460-480 Volt; 6 required for all other models
6	70214901	Stove Grill	
7	70357201	Stove Partition	
8	70034414P	Heater Element	25 pound models; 3 required; 4 kW; 220 Volt heater element for 380 and 440 Volt/3 Phase
	70034415P	Heater Element	Non-CE and non-Australian 25 pound models; 3 required; 4 kW; 208 Volt heater element for 200-208 Volt/1 or 3 Phase
	70034416P	Heater Element	25 pound models; 3 required; 4 kW; 240 Volt heater element for 230-240 Volt/1 or 3 Phase and 400-415 and 460-480 Volt/3 Phase
	70034417	Heater Element	CE 25 pound models; 3 required; 3 kw; 240 Volt heater element for 400-415 Volt/3 Phase; low wattage
	70034401P	Heater Element	Non-CE and non-Australian 30 pound models; 3 required; 7 kW; 208 Volt heater element for 200-208 Volt/1 or 3 Phase
	70034402P	Heater Element	30 pound models; 3 required; 7 kW; 220 Volt heater element for 380 and 440 Volt/3 Phase
	70034403P	Heater Element	30 pound models; 3 required; 7 kW; 240 Volt heater element for 230-240 Volt/1 or 3 Phase and 400-415 and 460-480 Volt/3 Phase
9	70316601	Stove Limit Bypass Harness	
10	70066601	Jumper Wire	1 required for 460-480 Volt
11	70371301P	Cable Set Heater Assembly	Heat contactor 1 to heating elements H1-H3
	70371401P	Cable Set Heater Assembly	Heat contactor 2 to heating elements H4-H6; 240 Volt or less

# Steam Heater Components

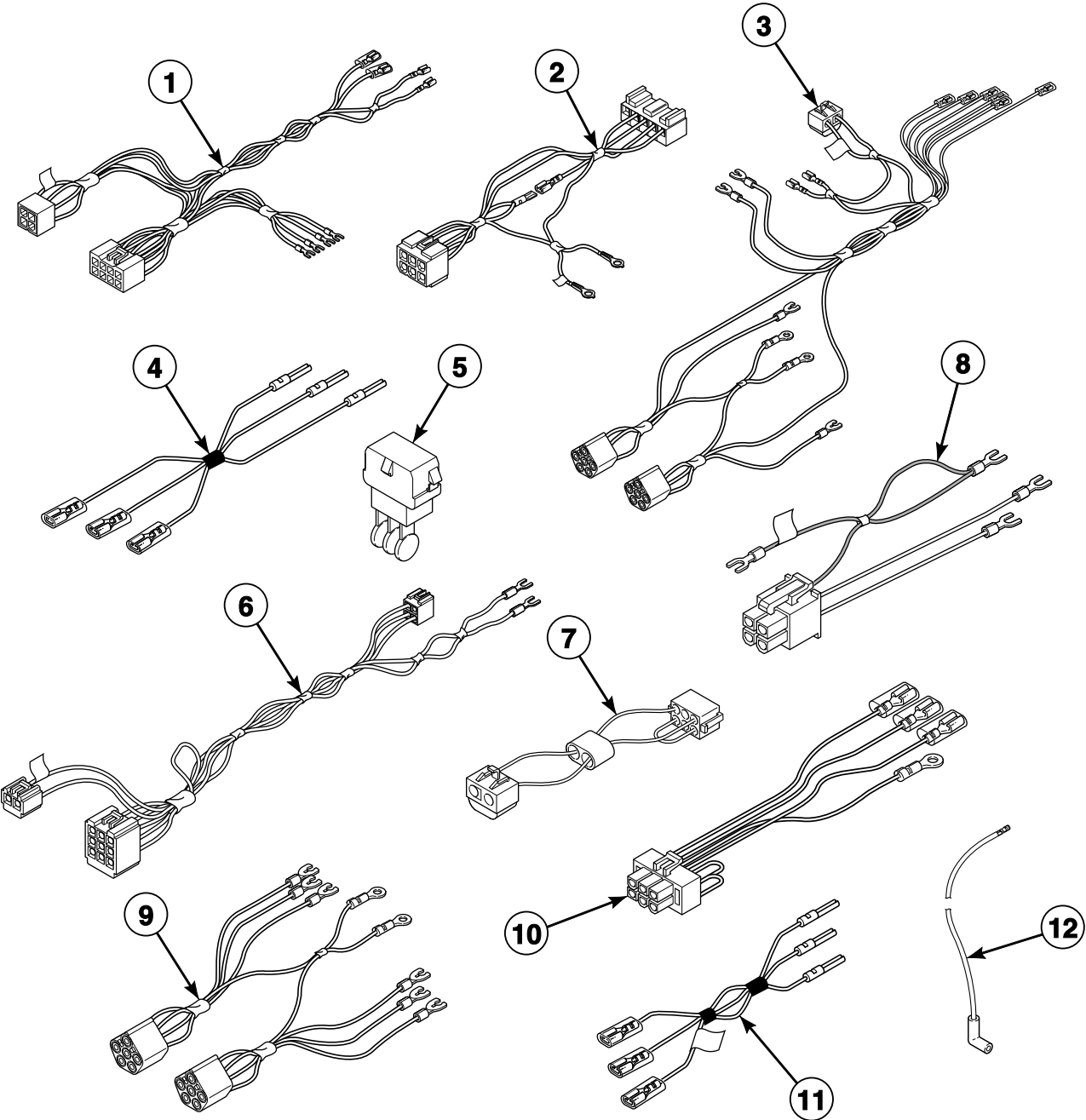


TMB3080P\_70409401

## Steam Heater Components

REF	PART NO.	DESCRIPTION	COMMENTS
1	70389201	Clevis Pin	To secure 70369301 Steam Filter Holder
2	70389301	Hairpin Cotter	To secure 70369301 Steam Filter Holder
3	70369301	Steam Filter Holder	
4	70369401	Steam Valve Harness Bracket	
5	70316601	Stove Limit Bypass Harness	
6	70369101P	Steam Coil	4 rows
7	70429401	Filter	CE models
	70036001	Air Filter	All other models
8	70351021P	Steam Valve Rebuild Kit	Use with 70351001P and 70351002P Steam Valves
	F8379502	Valve Rebuild Kit	Use with F8322902 and F8322903 Steam Valves
9	70351012	Steam Solenoid	24 Volt/50 Hertz
10	70351001P	Steam Valve	Models through Serial No. 1009000099; 60 Hertz
	F8322902	Steam Valve	Models starting Serial No. 1009000100; 60 Hertz
	F8322903	Steam Valve	50 Hertz
11	70351011P	Steam Solenoid	24 Volt/60 Hertz
12	70370301P	Solenoid Valve DIN Connector	
13	M412997	Harness Assembly	
14	70389901	Steam Stove Limit Bypass Harness	
15	70369501	Steam Valve Wiring Cover	
16	70058501	Pop Rivet	To secure 70369301 Steam Filter Holder

# Control Tray Harnesses for Gas Models

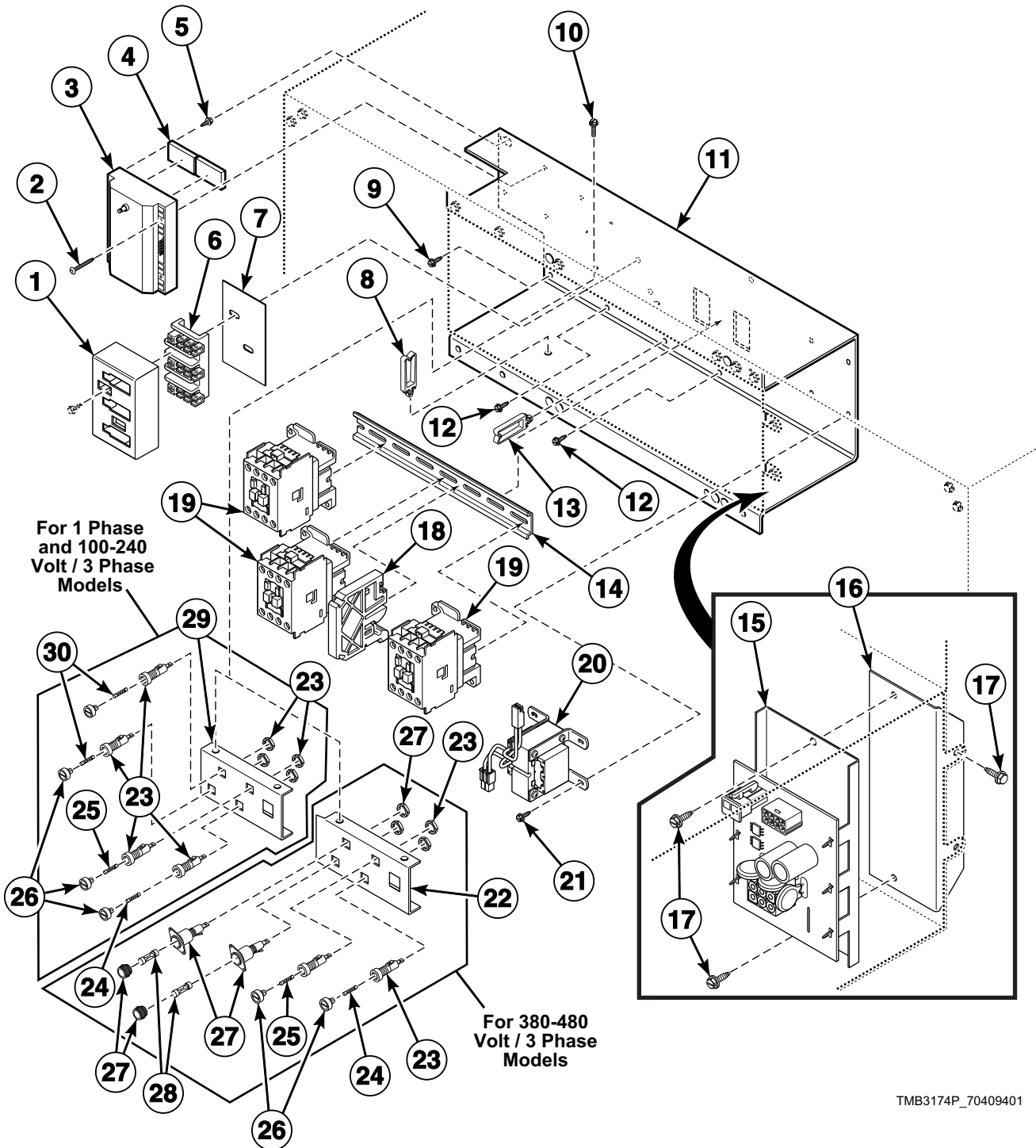


TMB3173P\_70409401

## Control Tray Harnesses for Gas Models

REF	PART NO.	DESCRIPTION	COMMENTS
1	70315801	Junction Box Harness	Models through 7/8/12
	70464701	Control Tray Harness	Models starting 7/9/12
2	70316401	Ignition Control Harness	CE and Australian models
	70316301	Ignition Control Harness	All other models
3	70316101P	Power Harness	CE and Australian models through 2/28/10; 3 Phase models with less than 380 Volts
	70347701P	Power Harness	Models through 2/28/10; Contactor; 1 Phase
	70332201	Power Harness	Models through 2/28/10; 3 Phase models with 380 Volts or higher
	70439001	Power Harness	CE and Australian models starting 3/1/10 through 7/8/12; 3 Phase models with less than 380 Volts
	70445501	Power Harness	Models starting 3/1/10 through 7/8/12; Contactor; 1 Phase
	70438901	Power Harness	Models starting 3/1/10 through 7/8/12; 3 Phase models with 380 Volts or higher
	70464901	Power Harness	CE and Australian models starting 7/9/12; 3 Phase models with less than 380 Volts
	70469701	Power Harness	Models starting 7/9/12; Contactor; 1 Phase
	70465001	Power Harness	Models starting 7/9/12; 3 Phase models with 380 Volts or higher
4	70120901	Jumper Disconnect Assembly	CE and Australian models
5	M413863	Network Capacitor Assembly	3O, 3V, 3X, DO, DV, DX and OM control suffixes
6	70471901	Reversing Control Board Harness	3B, 3W, BB, BW and BZ control suffixes
7	M413504	Jumper Harness Assembly	100 Volt
	M413505	Jumper Harness Assembly	120 Volt
	M413506	Jumper Harness Assembly	208 Volt
	M413507	Jumper Configuration Assembly	240 Volt
	M413508	Jumper Harness Assembly	380 Volt
	M413510	Jumper Configuration Assembly	480 Volt
8	70465301	Reversing Contactor Harness	Reversing models
9	70320201	Motor Contactor Harness	Models through 2/28/10; 3 Phase
	44142601P	Motor Contactor Harness	Models starting 3/1/10 through 7/8/12; 3 Phase
	70469301	Motor Contactor Harness	Models starting 7/9/12; 3 Phase
10	M413878	Network Capacitor Harness Assembly	Models through 7/8/12; 3O, 3V, 3X, DO, DV, DX and OM control suffixes
	44143401P	Network Capacitor Harness Assembly	Models starting 7/9/12; Also order 00177 Male Tab Terminal; 3O, 3V, 3X, DO, DV, DX and OM control suffixes
11	70342101	Gas Disconnect Harness	CE and Australian models through 2/28/10
	70440501	Gas Disconnect Harness	CE and Australian models starting 3/1/10
12	70006201	High Voltage Lead	Models through 9/16/12; Use with 70367301P or 70367401P Ignition Control
	44239702	High Voltage Suppression Cable	Models starting 9/17/12; Use with 70458601 or 70458701 Ignition Control

# Control Tray for Non-CE and Non-Australian Gas Models

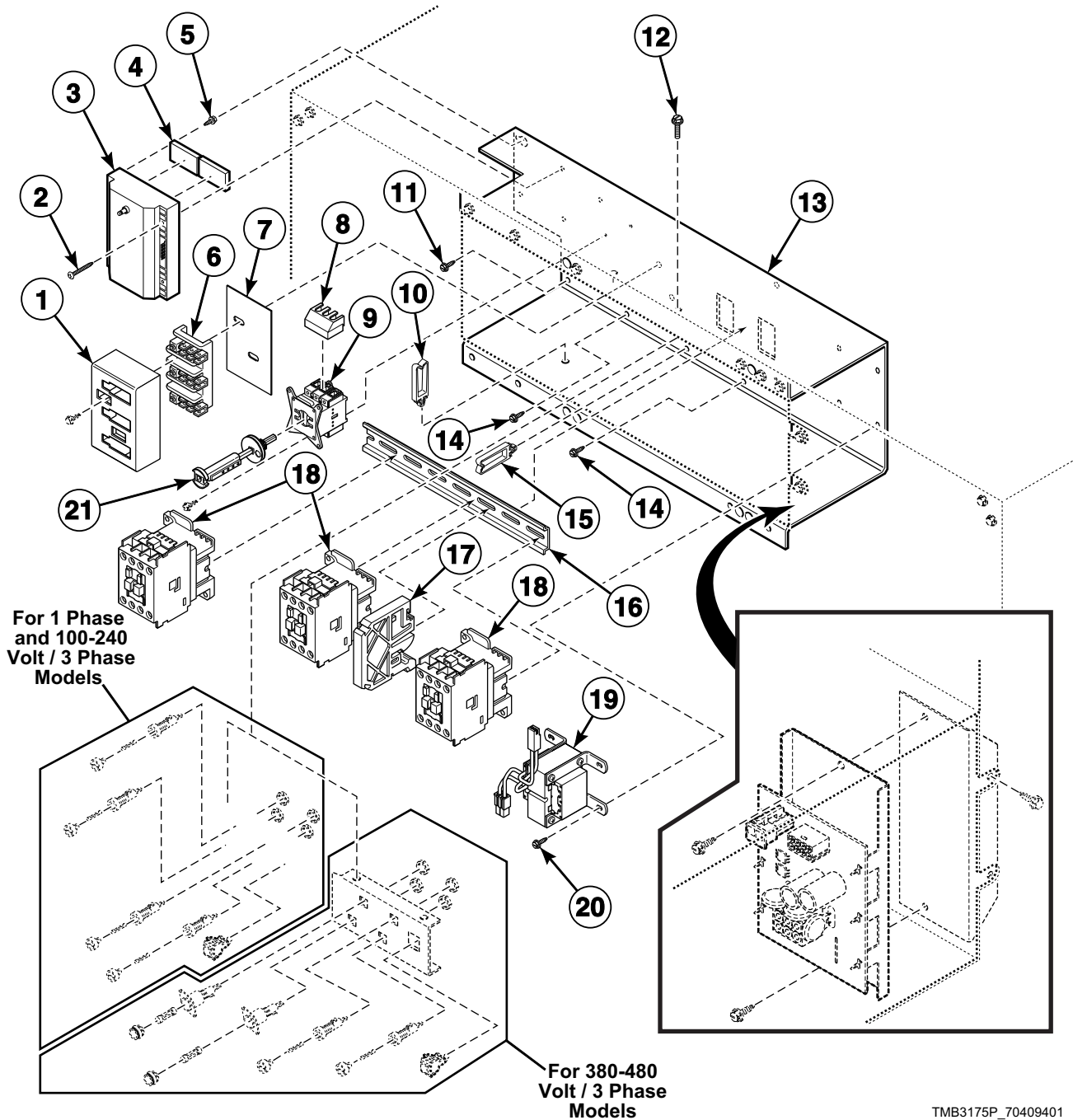


TMB3174P\_70409401

## Control Tray for Non-CE and Non-Australian Gas Models

REF	PART NO.	DESCRIPTION	COMMENTS
	70030501	Expansion Clip	4 required; Used on item 20
	M403047	Secure Ground Label	
1	70333001	Terminal Block Shield	
2	44083001	Screw	2 required; Models through 9/16/12
	51783	Screw	2 required; Models starting 9/17/12
3	70367301P	Ignition Control	Models through 9/16/12; Use with 70006201 High Voltage Lead
	70458601P	Ignition Control	24 Volt; Models starting 9/17/12; Use with 44239702 High Voltage Suppression Cable
4	56128	Bumper Pad	2 required
5	38272	Screw	
6	430642	Terminal Block	
7	M413862	Insulator	
8	70366201	Wire Clip	
9	430497	Screw	3 required
10	51780	Screw	2 required
11	70469201	Control Tray	
12	M402917	Screw	4 required
13	36274	Wire Clip	2 required
14	M412693	Din Rail	
15	70469901	Reversing Control Assembly	3B, 3W, BB, BW and BZ control suffixes
16	70472601	Bracket	3B, 3W, BB, BW and BZ control suffixes
17	F8206901	Screw	4 required
18	F330186P	Interlock Contactor	Reversing models
19	70323701P	Contactors	1 required nonreversing models; 3 required reversing models
20	M414312P	Transformer	120 Volt; Dual secondary
	M414230P	Transformer	120 Volt; Primary/secondary
	M414228P	Transformer	100-240 Volt
	M414229P	Transformer	380-480 Volt
21	M411072	Screw	4 required
22	70313601	Fuse Bracket	380-480 Volt; Models through 2/28/10
	70313602	Fuse Bracket	380-480 Volt; Models starting 3/1/10
23	70329401P	Fuse Holder Body	Includes nuts; 3 required for 1 Phase; 4 required for 3 Phase
24	70406601	Fuse	3.5 Amp
25	70406501	Fuse	1.25 Amp
26	70329501	Fuse Holder Cap	3 required for 1 Phase and 380-480 Volt/3 Phase; 4 required for 100-240 Volt/3 Phase
27	M413544P	Fuse Holder	Includes nuts; 2 required for 380-480 Volt; Models through 2/28/10
	44155601P	Fuse Holder	2 required for 380-480 Volt; Models starting 3/1/10
28	M413621	Fuse	2 required for 380-480 Volt; 0.5 Amp
29	70306901	Fuse Bracket	100-240 Volt
30	70406701	Fuse	2 Amp; 100-240 Volt

# Control Tray Components for CE and Australian Gas Models - (Drawing 1 of 2)

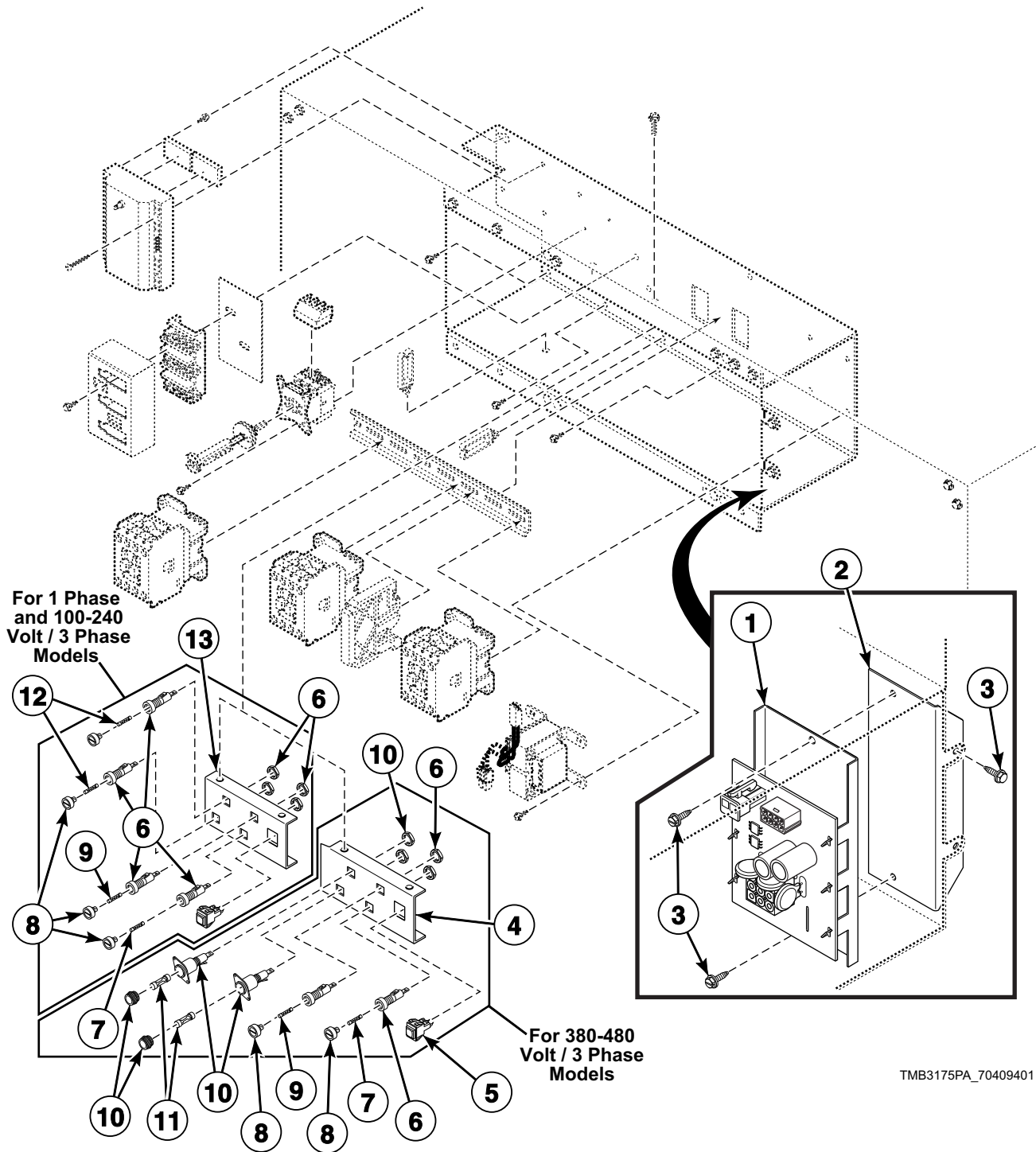




## Control Tray Components for CE and Australian Gas Models - (Drawing 1 of 2)

REF	PART NO.	DESCRIPTION	COMMENTS
	70030501	Expansion Clip	4 required
	M403047	Secure Ground Label	
	M412096	Earth Terminal Sticker	
	51782	Screw	2 required
	70411001	ICM Reset Label	
	44127701	Warning Label	Extended tumble; On control tray cover
<b>1</b>	70333001	Terminal Block Shield	
<b>2</b>	44083001	Screw	2 required; Models through 9/16/12
	51783	Screw	2 required; Models starting 9/17/12
<b>3</b>	70367401P	Ignition Control	CE models through 9/16/12; Australian models; 24 Volt; Use with 70006201 High Voltage Lead
	70458701	Ignition Control	CE models starting 9/17/12; 24 Volt; Use with 44239702 High Voltage Suppression Lead
<b>4</b>	56128	Bumper Pad	2 required
<b>5</b>	38272	Screw	
<b>6</b>	430642	Terminal Block	
<b>7</b>	M413862	Insulator	
<b>8</b>	M412366	Finger Guard	Models through 7/31/11
<b>9</b>	M412187P	Mounting Switch Base	Models through 7/31/11
<b>10</b>	70366201	Wire Clip	
<b>11</b>	430497	Screw	
<b>12</b>	51780	Screw	2 required
<b>13</b>	70469201	Control Tray	
<b>14</b>	M402917	Screw	
<b>15</b>	36274	Wire Clip	2 required
<b>16</b>	M412693	Din Rail	
<b>17</b>	F330186P	Interlock Contactor	Reversing models
<b>18</b>	70323701P	Contactor	1 required nonreversing models; 3 required reversing models
<b>19</b>	M414229P	Transformer	380-480 Volt
	M414228P	Transformer	100-240 Volt
<b>20</b>	M411072	Screw	4 required
<b>21</b>	70342501P	Extension Handle	Models through 7/31/11

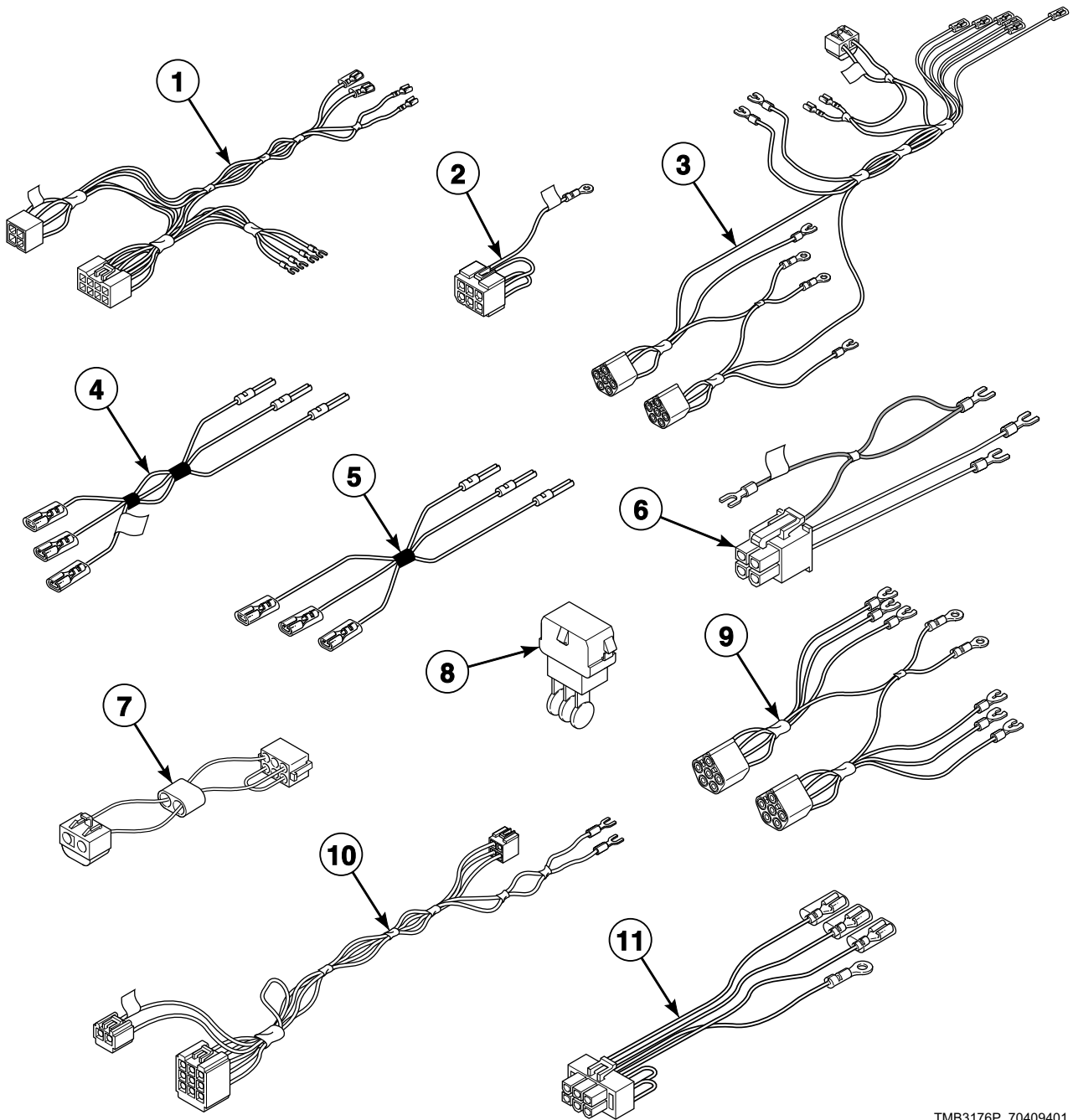
# Control Tray Components for CE and Australian Gas Models - (Drawing 2 of 2)



## Control Tray Components for CE and Australian Gas Models - (Drawing 2 of 2)

REF	PART NO.	DESCRIPTION	COMMENTS
	70030501	Expansion Clip	4 required
	M403047	Secure Ground Label	
	M412096	Earth Terminal Sticker	
	51782	Screw	2 required
	501086	Screw	4 required for item 10
	70411001	ICM Reset Label	
	44127701	Warning Label	Extended tumble; On control tray cover
<b>1</b>	70469901	Reversing Control Assembly	3B, 3W, BB, BW and BZ control suffixes
<b>2</b>	70472601	Bracket	3B, 3W, BB, BW and BZ control suffixes
<b>3</b>	F8206901	Screw	4 required
<b>4</b>	70313601	Fuse Bracket	380-480 Volt; Models through 2/28/10
	70313602	Fuse Bracket	380-480 Volt; Models starting 3/1/10
<b>5</b>	M413431	Pushbutton Switch	
<b>6</b>	70329401P	Fuse Holder Body	Includes nuts; 3 required for 1 Phase; 4 required for 3 Phase models with less than 380 Volts; 2 required for 3 Phase models with 380 Volts or higher
<b>7</b>	70406601	Fuse	3.5 Amp
<b>8</b>	70329501	Fuse Holder Cap	3 required for 1 Phase; 4 required for 3 Phase models with less than 380 Volts; 2 required for 3 Phase models with 380 Volts or higher
<b>9</b>	70406501	Fuse	1.25 Amp
<b>10</b>	M413544P	Fuse Holder	Includes nuts; 2 required for 380-480 Volt; Models through 2/28/10
	44155601P	Fuse Holder	2 required for 380-480 Volt; Models starting 3/1/10
<b>11</b>	M413621	Fuse	2 required for 380-415 Volt; 0.5 Amp
<b>12</b>	70406701	Fuse	1 required for 1 Phase; 2 required for 3 Phase; 2 Amp
<b>13</b>	70306901	Fuse Bracket	100-240 Volt

# Control Tray Harnesses for Steam Models

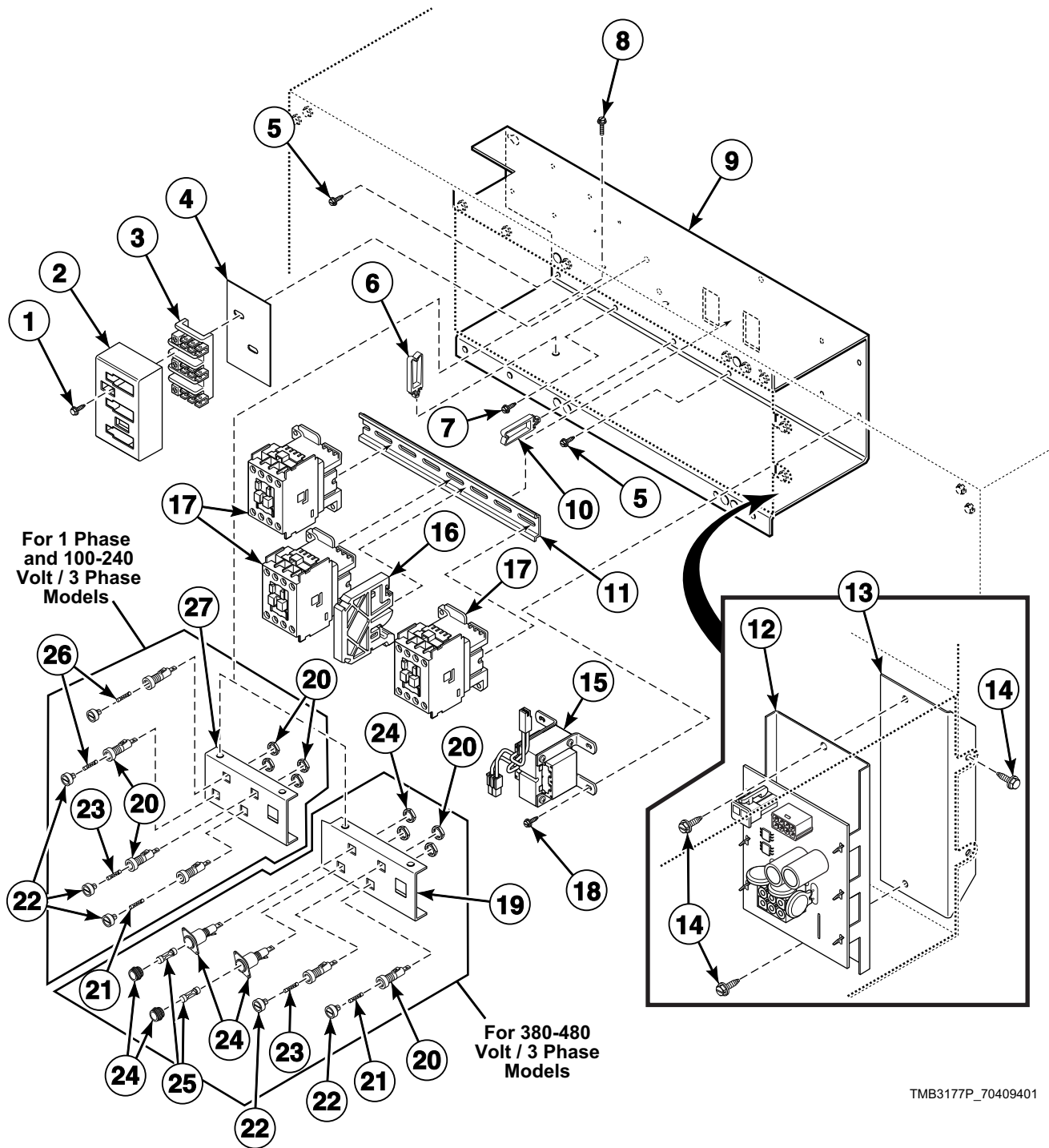


TMB3176P\_70409401

## Control Tray Harnesses for Steam Models

REF	PART NO.	DESCRIPTION	COMMENTS
1	70315801	Junction Box Harness	Models through 7/8/12
	70464701	Control Tray Harness	Models starting 7/9/12
2	70322401P	Steam Configuration Harness	
3	70347701P	Power Harness	Models through 2/28/10; Contactor; 1 Phase
	70316101P	Power Harness	Models through 2/28/10; 3 Phase models with less than 380 Volts
	70332201	Power Harness	Models through 2/28/10; 3 Phase with 380 Volts or higher
	70445501	Power Harness	Models starting 3/1/10 through 7/8/12; Contactor; 1 Phase
	70439001	Power Harness	Models starting 3/1/10 through 7/8/12; 3 Phase models with less than 380 Volts
	70438901	Power Harness	Models starting 3/1/10 through 7/8/12; 3 Phase models with 380 Volts or higher
	70469701	Power Harness	Models starting 7/9/12; Contactor; 1 Phase
	70464901	Power Harness	Models starting 7/9/12; 3 Phase models with less than 380 Volts
	70465001	Power Harness	Models starting 7/9/12; 3 Phase models with 380 Volts or higher
4	70342101	Gas Disconnect Harness	CE models; Models through 2/28/10
	70440501	Gas Disconnect Harness	CE models; Models starting 3/1/10
5	70120901	Jumper Disconnect Assembly	CE models
6	70465301	Reversing Contactor Harness	Reversing models
7	M413504	Jumper Harness Assembly	100 Volt
	M413505	Jumper Harness Assembly	120 Volt
	M413506	Jumper Harness Assembly	208 Volt
	M413507	Jumper Configuration Assembly	240 Volt
	M413508	Jumper Harness Assembly	380 Volt
	M413510	Jumper Configuration Assembly	480 Volt
8	M413863	Network Capacitor Assembly	3O, 3V, 3X, DO, DV, DX and OM control suffixes
9	70320201	Motor Contactor Harness	Models through 2/28/10; 3 Phase models with 380 Volts or higher
	44142601P	Motor Contactor Harness	Models starting 3/1/10 through 7/8/12; 3 Phase models with 380 Volts or higher
	70469301	Motor Contactor Harness	Models starting 7/9/12; 3 Phase models with 380 Volts or higher
10	70471901	Reversing Control Board Harness	3B, 3W, BB, BW and BZ control suffixes
11	M413878	Network Capacitor Harness Assembly	Models through 7/8/12; 3O, 3V, 3X, DO, DV, DX and OM control suffixes
	44143401P	Network Capacitor Harness Assembly	Models starting 7/9/12; Also order 00177 Male Tab Terminal; 3O, 3V, 3X, DO, DV, DX and OM control suffixes

# Control Tray for Non-CE Steam Models

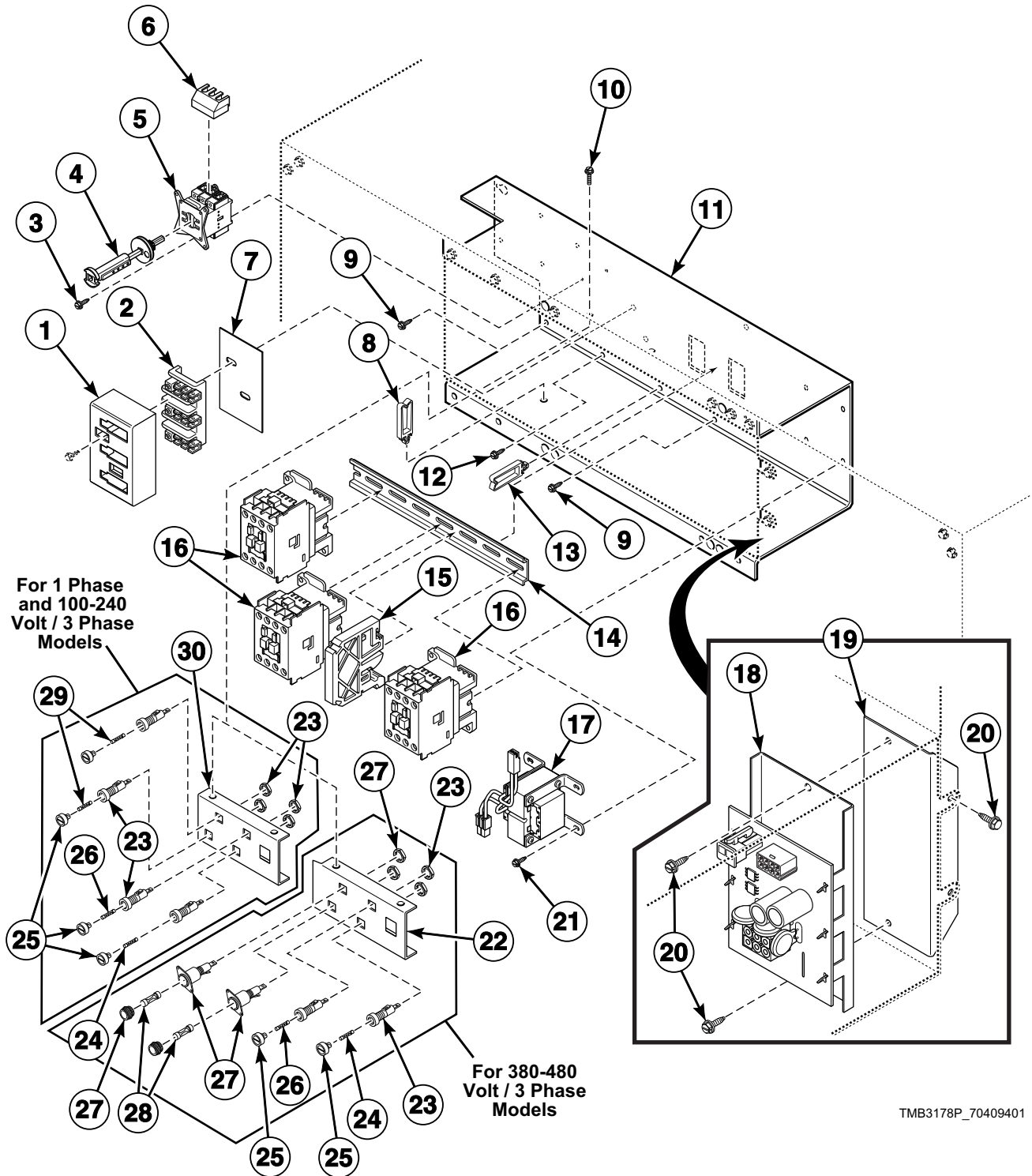


TMB3177P\_70409401

## Control Tray for Non-CE Steam Models

REF	PART NO.	DESCRIPTION	COMMENTS
	501086	Screw	4 required
	70030501	Expansion Clip	4 required
	M403047	Secure Ground Label	
<b>1</b>	51783	Screw	2 required
<b>2</b>	70333001	Terminal Block Shield	
<b>3</b>	430642	Terminal Block	
<b>4</b>	M413862	Insulator	
<b>5</b>	430497	Screw	
<b>6</b>	36274	Wire Clip	2 required
<b>7</b>	M402917	Screw	
<b>8</b>	51780	Screw	2 required
<b>9</b>	70469201	Control Tray	
<b>10</b>	70366201	Wire Clip	
<b>11</b>	M412693	Din Rail	
<b>12</b>	70469901	Reversing Control Assembly	3B, 3W, BB, BW and BZ control suffixes
<b>13</b>	70472601	Bracket	3B, 3W, BB, BW and BZ control suffixes
<b>14</b>	F8206901	Screw	4 required
<b>15</b>	M414312P	Transformer	120 Volt; Dual secondary
	M414230P	Transformer	120 Volt; Primary/secondary
	M414228P	Transformer	100-240 Volt
	M414229P	Transformer	380-480 Volt
	44074401	Transformer	440 Volt; Dual secondary
<b>16</b>	F330186P	Interlock Contactor	Reversing models
<b>17</b>	70323701P	Contactor	1 required nonreversing models; 3 required reversing models
<b>18</b>	M411072	Screw	4 required
<b>19</b>	70313601	Fuse Bracket	380-480 Volt; Models through 2/28/10
	70313602	Fuse Bracket	380-480 Volt; Models starting 3/1/10
<b>20</b>	70329401P	Fuse Holder Body	Includes nuts; 3 required for 1 Phase; 4 required for 3 Phase models with less than 380 Volts; 2 required for 3 Phase models with 380 Volts or higher
<b>21</b>	70406601	Fuse	3.5 Amp
<b>22</b>	70329501	Fuse Holder Cap	3 required for 1 Phase; 4 required for 3 Phase models with less than 380 Volts; 2 required for 3 Phase models with 380 Volts or higher
<b>23</b>	70406501	Fuse	1.25 Amp
<b>24</b>	M413544P	Fuse Holder	Includes nuts; 2 required for 380-480 Volt; Models through 2/28/10
	44155601P	Fuse Holder	2 required for 380-480 Volt; Models starting 3/1/10
<b>25</b>	M413621	Fuse	2 required for 380-480 Volt/3 Phase; 0.5 Amp
<b>26</b>	70406701	Fuse	2 required for 100-240 Volt/3 Phase
<b>27</b>	70306901	Fuse Bracket	100-240 Volt

# Control Tray for CE Steam Models



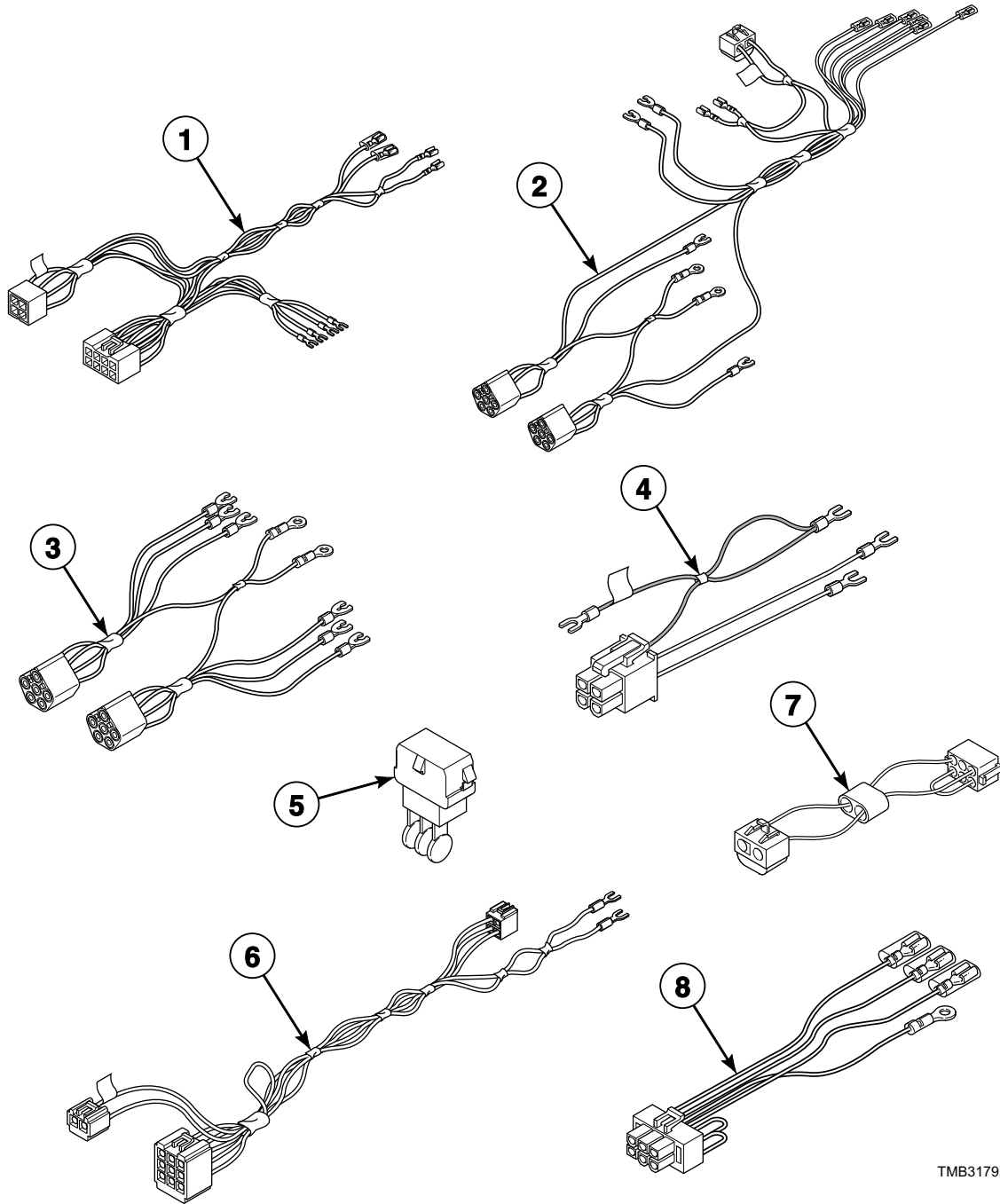
TMB3178P\_70409401



## Control Tray for CE Steam Models

REF	PART NO.	DESCRIPTION	COMMENTS
	70030501	Expansion Clip	4 required
	M403047	Secure Ground Label	
	M412096	Earth Terminal Sticker	
	501086	Screw	4 required
1	70333001	Terminal Block Shield	
2	430642	Terminal Block	
3	51782	Screw	2 required
4	70342501P	Extension Handle	Models through 7/31/11
5	M412187P	Mounting Switch Base	Models through 7/31/11
6	M412366	Finger Guard	Models through 7/31/11
7	M413862	Insulator	
8	36274	Wire Clip	2 required
9	430497	Screw	
10	51780	Screw	2 required
11	70469201	Control Tray	
12	M402917	Screw	
13	70366201	Wire Clip	
14	M412693	Din Rail	
15	F330186P	Interlock Contactor	Reversing models
16	70323701P	Contactor	1 required nonreversing models; 3 required reversing models
17	M414228P	Transformer	100-240 Volt
	M414229P	Transformer	380-480 Volt
	44074401	Transformer	440 Volt; Dual secondary
18	70469901	Reversing Control Assembly	3B, 3W, BB, BW and BZ control suffixes
19	70472601	Bracket	3B, 3W, BB, BW and BZ control suffixes
20	F8206901	Screw	4 required
21	M411072	Screw	4 required
22	70313601	Fuse Bracket	380-480 Volt; Models through 2/28/10
	70313602	Fuse Bracket	380-480 Volt; Models starting 3/1/10
23	70329401P	Fuse Holder Body	Includes nuts; 4 required for 1 Phase; 4 required for 3 Phase models with less than 380 Volts; 2 required for 3 Phase models with 380 Volts or higher
24	70406601	Fuse	3.5 Amp
25	70329501	Fuse Holder Cap	4 required for 1 Phase; 4 required for 3 Phase models with less than 380 Volts; 2 required for 3 Phase models with 380 Volts or higher
26	70406501	Fuse	1.25 Amp
27	M413544P	Fuse Holder	Includes nuts; 2 required for 380-480 Volt; Models through 2/28/10
	44155601P	Fuse Holder	2 required for 380-480 Volt; Models starting 3/1/10
28	M413621	Fuse	2 required for 380-480 Volt/3 Phase; 0.5 Amp
29	70406701	Fuse	1 required for 1 Phase; 2 required for 100-240 Volt/3 Phase; 2 Amp
30	70306901	Fuse Bracket	100-240 Volt

# Control Tray Harnesses for Electric Models

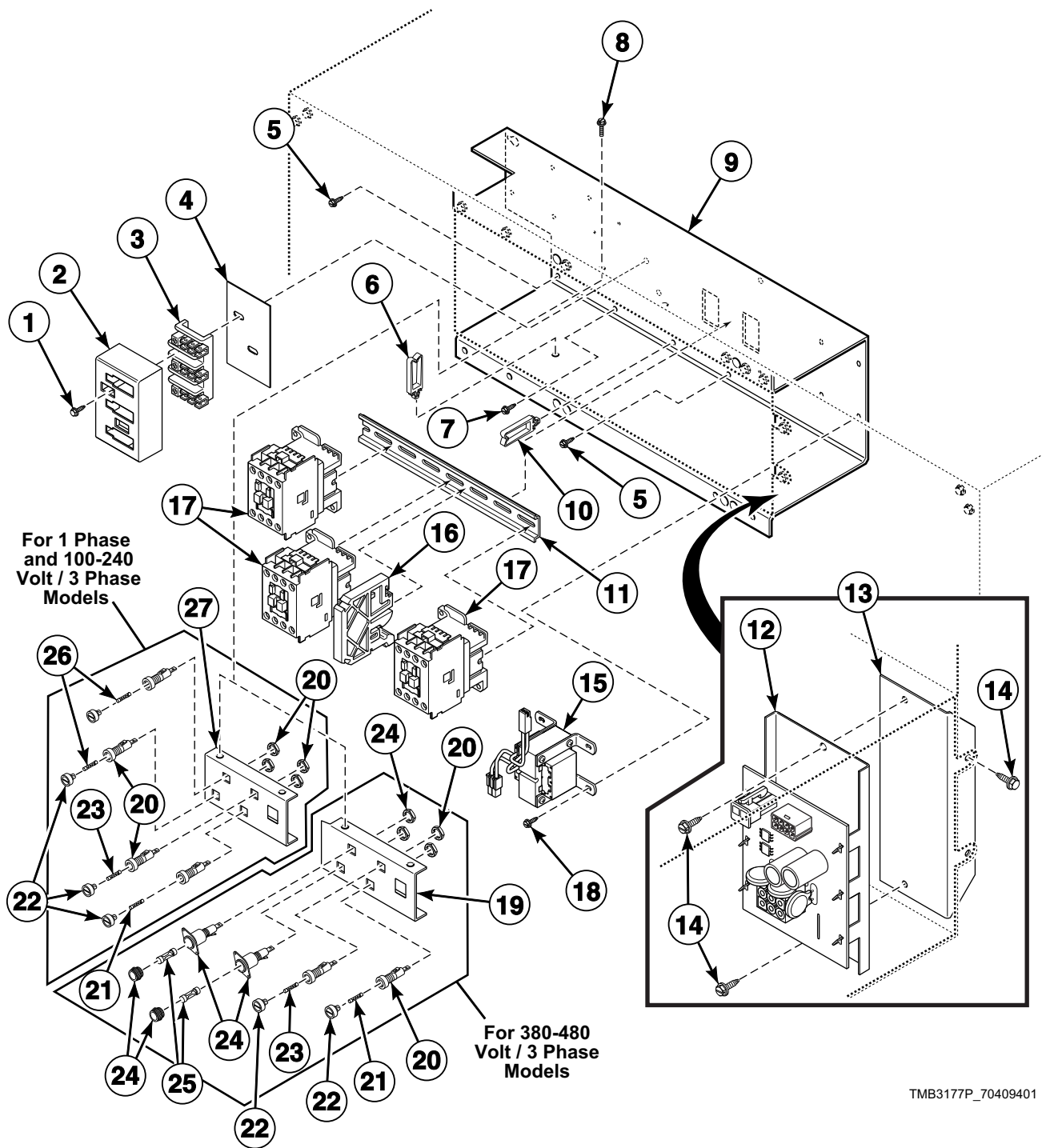


TMB3179P\_70409401

## Control Tray Harnesses for Electric Models

REF	PART NO.	DESCRIPTION	COMMENTS
1	70315801	Junction Box Harness	Models through 7/8/12
	70464701	Control Tray Harness	Models starting 7/9/12
2	70347701P	Power Harness	Models through 2/28/10; 1 Phase; Contactor
	70316101P	Power Harness	Models through 2/28/10; 3 Phase models with less than 380 Volts
	70332201	Power Harness	Models through 2/28/10; 3 Phase models with 380 Volts or higher
	70445501	Power Harness	Models starting 3/1/10 through 7/8/12; 1 Phase; Contactor
	70439001	Power Harness	Models starting 3/1/10 through 7/8/12; 3 Phase models with less than 380 Volts
	70438901	Power Harness	Models starting 3/1/10 through 7/8/12; 3 Phase models with 380 Volts or higher
	70469701	Power Harness	Models starting 7/9/12; Contactor; 1 Phase
	70464901	Power Harness	Models starting 7/9/12; 3 Phase models with less than 380 Volts
	70465001	Power Harness	Models starting 7/9/12; 3 Phase models with 380 Volts or higher
3	70320201	Motor Contactor Harness	Models through 2/28/10; 3 Phase
	44142601P	Motor Contactor Harness	Models starting 3/1/10 through 7/8/12; 3 Phase
	70469301	Motor Contactor Harness	Models starting 7/9/12; 3 Phase
4	70465301	Reversing Contactor Harness	Reversing models
5	M413863	Network Capacitor Assembly	3O, 3V, 3X, DO, DV, DX and OM control suffixes
6	70471901	Reversing Control Board Harness	3B, 3W, BB, BW and BZ control suffixes
7	M413505	Jumper Harness Assembly	120 Volt
	M413506	Jumper Harness Assembly	208 Volt
	M413507	Jumper Configuration Assembly	240 Volt
	M413508	Jumper Harness Assembly	380 Volt
	M413509	Jumper Harness Assembly	415 Volt
	M413510	Jumper Configuration Assembly	480 Volt
8	M413878	Network Capacitor Harness Assembly	Models through 7/8/12; 3O, 3V, 3X, DO, DV, DX and OM control suffixes
	44143401P	Network Capacitor Harness Assembly	Models starting 7/9/12; Also order 00177 Male Tab Terminal; 3O, 3V, 3X, DO, DV, DX and OM control suffixes

# Control Tray for Electric Models

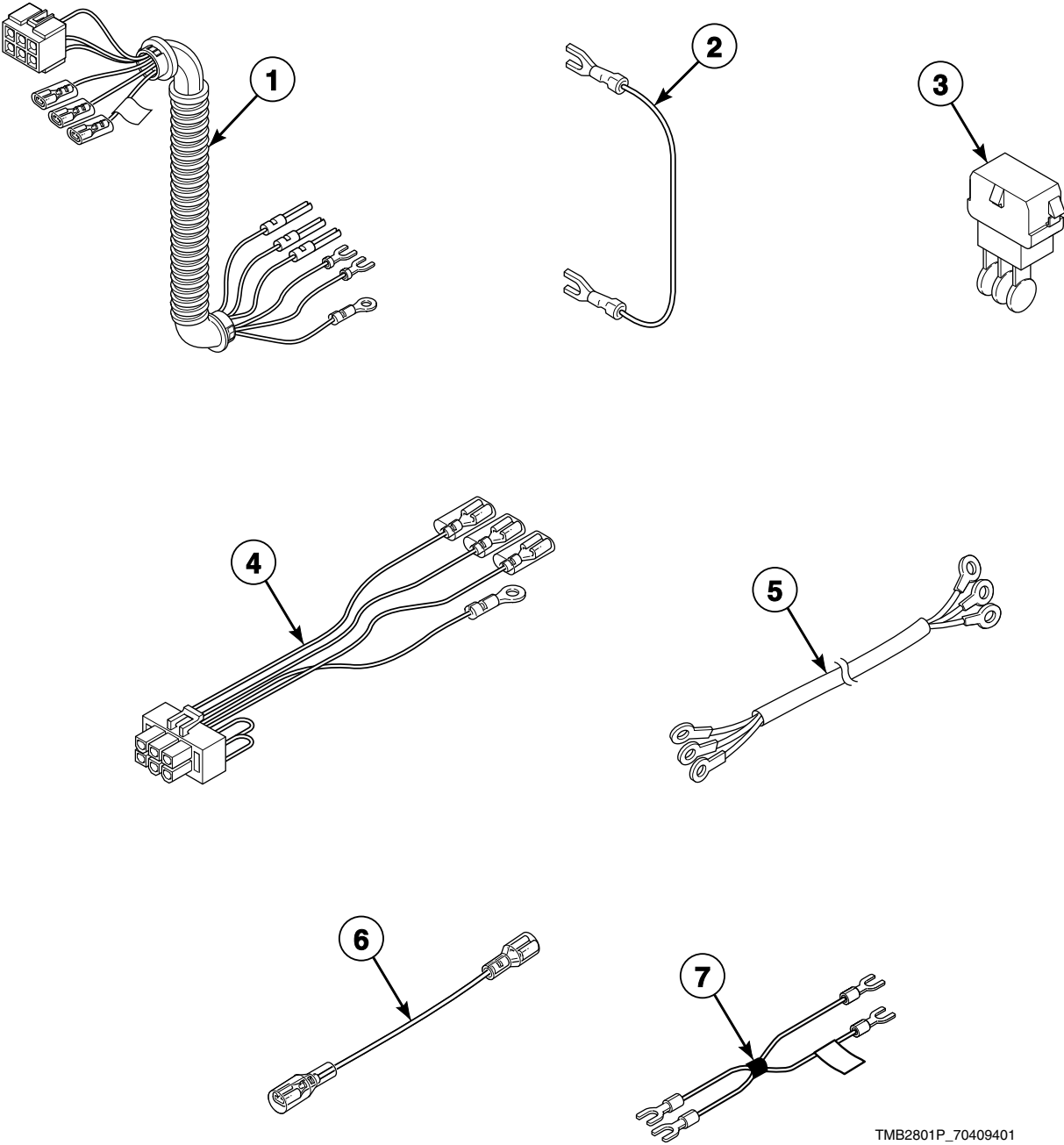


TMB3177P\_70409401

## Control Tray for Electric Models

REF	PART NO.	DESCRIPTION	COMMENTS
	70030501	Expansion Clip	4 required
	501086	Screw	4 required for item 24
	M412096	Earth Terminal Sticker	
	44127701	Warning Label	Extended tumble; On control tray cover
1	51783	Screw	2 required
2	70333001	Terminal Block Shield	
3	430642	Terminal Block	
4	M413862	Insulator	
5	430497	Screw	
6	70366201	Wire Clip	
7	M402917	Screw	
8	51780	Screw	2 required
9	70469201	Control Tray	
10	36274	Wire Clip	2 required
11	M412693	Din Rail	
12	70469901	Reversing Control Assembly	3B, 3W, BB, BW and BZ control suffixes
13	70472601	Bracket	3B, 3W, BB, BW and BZ control suffixes
14	F8206901	Screw	4 required
15	M414228P	Transformer	100-240 Volt
	M414229P	Transformer	380-480 Volt
	M414230P	Transformer	120 Volt; Primary/secondary
	M414312P	Transformer	120 Volt; Dual secondary
	44074401	Transformer	440 Volt; Dual secondary
16	F330186P	Interlock Contactor	Reversing models
17	70323701P	Contactors	1 required nonreversing models; 3 required reversing models
18	M411072	Screw	4 required
19	70313601	Fuse Bracket	380-480 Volt; Models through 2/28/10
	70313602	Fuse Bracket	380-480 Volt; Models starting 3/1/10
20	70329401P	Fuse Holder Body	Includes nuts; 3 required for 1 Phase; 4 required for 3 Phase models with less than 380 Volts; 2 required for 3 Phase models with 380 Volts or higher
21	70406601	Fuse	3.5 Amp
22	70329501	Fuse Holder Cap	3 required for 1 Phase; 4 required for 3 Phase models with less than 380 Volts; 2 required for 3 Phase models with 380 Volts or higher
23	70406501	Fuse	1.25 Amp
24	M413544P	Fuse Holder	Includes nuts; 2 required for 380-480 Volt; Models through 2/28/10
	44155601P	Fuse Holder	2 required for 380-480 Volt; Models starting 3/1/10
25	M413621	Fuse	2 required for 380-480 Volt/3 Phase; 0.5 Amp
26	70406701	Fuse	1 required for 1 Phase; 2 required for 100-240 Volt/3 Phase; 2 Amp
27	70306901	Fuse Bracket	

# Accessory Box Harnesses for Electric Models

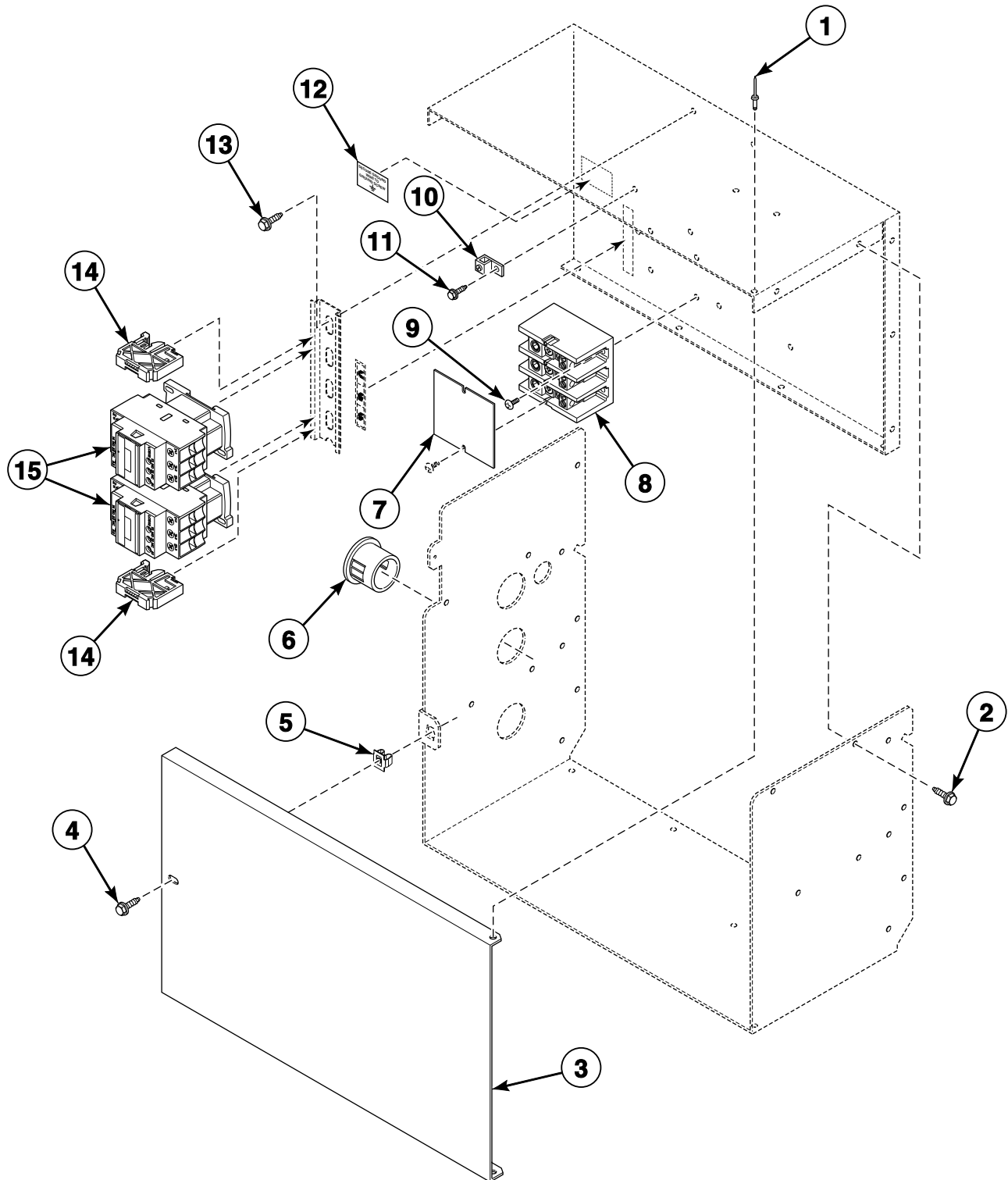


TMB2801P\_70409401

## Accessory Box Harnesses for Electric Models

REF	PART NO.	DESCRIPTION	COMMENTS
1	70335501P	Electric Power Buss Harness	Models through 2/28/10
	70439601	Electric Power Buss Harness	Models starting 3/1/10
2	M413933	Jumper Cable Assembly	Non-CE models; 8 gauge; 7.5 inches; 2 required for 1 Phase; 3 required for 3 Phase
	M413934	Jumper Cable Assembly	8 gauge; 8 inches; 1 required for 1 Phase; 3 required for 3 Phase
	M414121	Jumper Cable Assembly	CE models; 8 gauge; 6.75 inches; 6 required for 3 Phase models with less than 380 Volts
3	M413863	Network Capacitor Assembly	3O, 3V, 3X, DO, DV, DX and OM control suffixes
4	70286501	Network Capacitor Harness Assembly	Models through 7/8/12; 3O, 3V, 3X, DO, DV, DX and OM control suffixes
	44152001	Network Capacitor Harness Assembly	Models starting 7/9/12; 3O, 3V, 3X, DO, DV, DX and OM control suffixes
5	70371301P	Cable Set Heater Assembly	H1-H3
	70371401P	Cable Set Heater Assembly	H4-H6; Models with less than 380 Volts
6	70139001	Jumper Assembly	Non-CE models; 8 gauge; 10 inches; 2 required for 1 Phase; 3 required for 3 Phase models with less than 380 Volts
	70139101	Jumper Assembly	Non-CE models; 8 gauge; 11 inches; 1 Phase
	70138801	Jumper Assembly	CE models; 6 gauge; 8 inches; 3 required for 3 Phase
	70138901	Jumper Assembly	CE models; 2 gauge; 7.5 inches; 2 required for 1 Phase
	44014601	Jumper Wire	CE models; 8 gauge; 6.25 inches; 3 required for 3 Phase models with less than 380 Volts
	44014701	Jumper Wire	CE models; 8 gauge; 10.5 inches; 2 required for 1 Phase; 3 required for 3 Phase models with less than 380 Volts
7	70355801P	Electric Contactor Jumper Set	Models with less than 380 Volts
		Harness	

# Accessory Box for Non-CE Electric Models



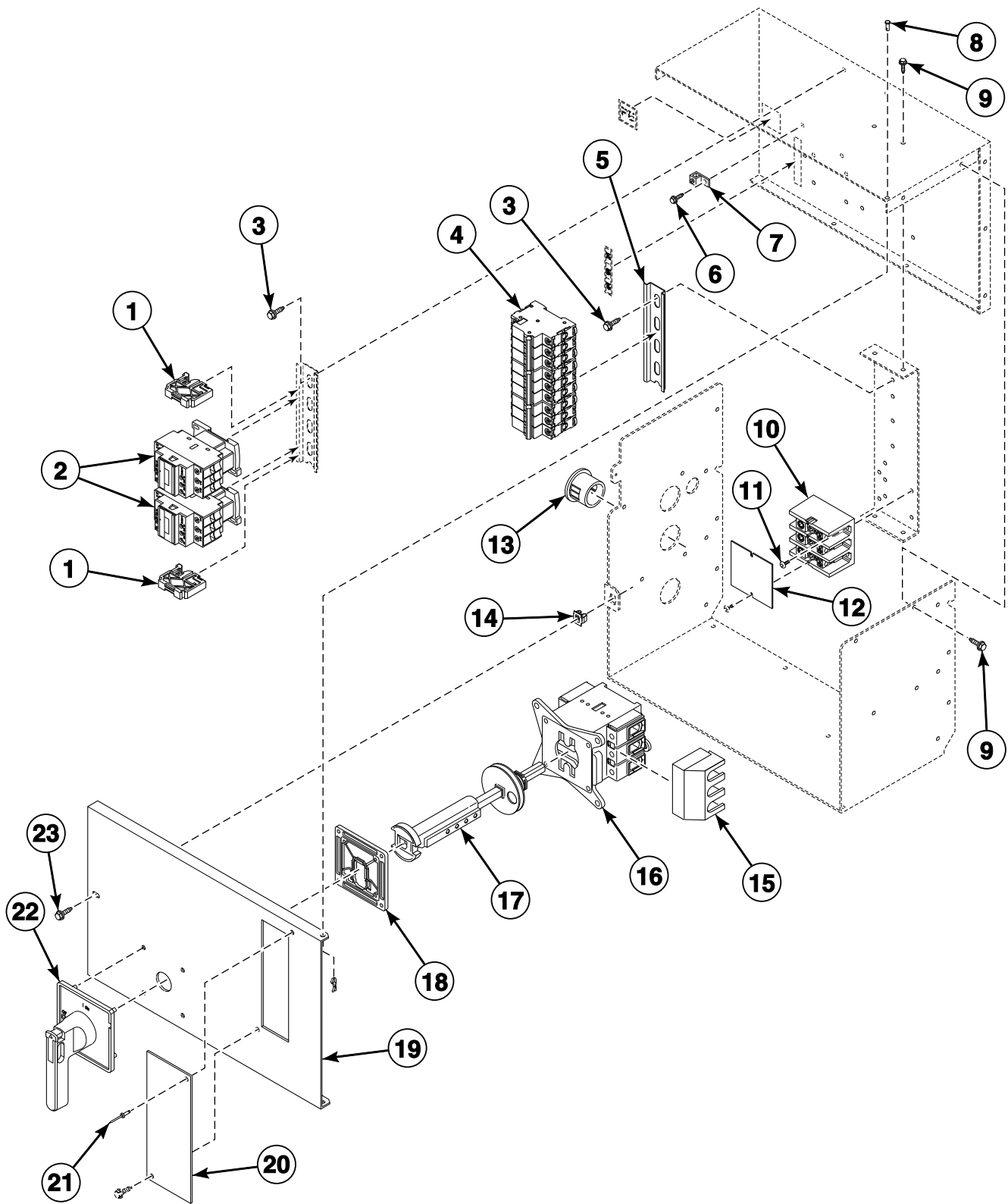
TMB2538P\_70409401



## Accessory Box for Non-CE Electric Models

REF	PART NO.	DESCRIPTION	COMMENTS
	M413930P	Ferrite Core Assembly	3O, 3V, 3X, DO, DV, DX and OM control suffixes
	44127701	Warning Label	Extended tumble; Use on item 3
<b>1</b>	70058502	Pop Rivet	2 required
<b>2</b>	430497	Screw	11 required
<b>3</b>	70358401	Accessory Box Cover	
<b>4</b>	33562	Screw	
<b>5</b>	70030501	Expansion Clip	
<b>6</b>	M402542	Snap Bushing	2 required
<b>7</b>	44014901P	Power Distribution Block Cover	
<b>8</b>	M413865	Terminal Block	3 pole
<b>9</b>	39733	Screw	6 required
<b>10</b>	M411283	Ground Lug Connector	
<b>11</b>	M402917	Screw	
<b>12</b>	M403047	Secure Ground Label	
<b>13</b>	51780	Screw	6 required
<b>14</b>	70121001	End Stop	2 required
<b>15</b>	70343301P	Contactora	2 required for models with less than 380 Volts; 1 required for models with 380 Volts or more

# Accessory Box for CE Electric Models



TMB2539P\_70409401

## Accessory Box for CE Electric Models

REF	PART NO.	DESCRIPTION	COMMENTS
	M413930P	Ferrite Core Assembly	3O, 3V, 3X, DO, DV, DX and OM control suffixes
	44127701	Warning Label	Extended tumble; Use on item 20
<b>1</b>	70121001	End Stop	2 required
<b>2</b>	70343301P	Contactora	2 required
<b>3</b>	51780	Screw	14 required
<b>4</b>	M412401	Circuit Breaker	1 Phase
	M412407P	Circuit Breaker	3 Phase
	70256901P	Circuit Breaker	25 pound models; 1 required for 1 Phase; 2 required for 3 Phase
	M412406	Circuit Breaker	30 pound models; 1 required for 1 Phase; 2 required for 3 Phase
<b>5</b>	M412693	Din Rail	
<b>6</b>	M402917	Screw	
<b>7</b>	M411283	Ground Lug Connector	
<b>8</b>	70058502	Pop Rivet	2 required
<b>9</b>	430497	Screw	11 required
<b>10</b>	M413865	Terminal Block	3 pole
<b>11</b>	39733	Screw	4 required
<b>12</b>	44014901P	Power Distribution Block Cover	
<b>13</b>	M402542	Snap Bushing	2 required
<b>14</b>	70030501	Expansion Clip	
<b>15</b>	M412367	Finger Guard	Models through 7/31/11
<b>16</b>	M412186	Mounting Switch Base	Models through 7/31/11
<b>17</b>	M412371P	Extension Handle	Models through 7/31/11
<b>18</b>	M412369	Door Interlock	Models through 7/31/11
<b>19</b>	70358402	Accessory Box Cover	
<b>20</b>	70133901	Electrical Box Access Cover	
<b>21</b>	70058501	Pop Rivet	2 required
<b>22</b>	70268001	Handle	Models through 7/31/11
<b>23</b>	33562	Screw	3 required



# Parts Index

## A

Access Panel Trim	
70399405 .....	59
70399407 .....	59
Accessory Box Cover	
70358401 .....	119
70358402 .....	121
Adapter	
70131901 .....	93
Adjustable Buzzer	
505447 .....	21
Air Filter	
70036001 .....	97
Airflow Switch and Arm Bracket	
70319601 .....	87
Airflow Switch Arm	
70319401 .....	87
Airflow Switch Cover	
70356601 .....	87
70465701 .....	87
Airflow Switch Vane	
70319201 .....	87
Airflow Switch Wrapper	
70356101 .....	87

## B

Bearing Housing Bracket	
70021401 .....	85
Belt	
70276205P .....	77, 79
Belt Access Cover	
70466001 .....	79
Belt Tension Tool Kit	
M4853P3 .....	77
Blower Assembly	
70359801P .....	81
Blower Motor	
70337501P .....	81
70342601P .....	81
Blower Motor Kit	
70337601P .....	81
70337701P .....	81
Blower Motor Mounting Plate	
70349601 .....	81
Bolt	
70062401 .....	77, 79
70467501 .....	79
Bracket	
44065901 .....	75
70472601 .....	101, 105, 109, 111, 115
Bumper Pad	
56128 .....	101, 103
Burner Grill	
70188801 .....	89
Burner Orifice	
M400997 .....	91
M400998 .....	91

M401000 .....	91
M401002 .....	91
M401003 .....	91
M401011 .....	91
M401014 .....	91
M402980 .....	91
M402996 .....	91
M403017 .....	91
M406184 .....	91
M406361 .....	91
Bushing	
44239501 .....	79
Buzzer Kit	
M4860P3 .....	17
Bypass Harness	
70364103 .....	17, 19, 23, 27, 35, 41, 49, 51, 53

## C

Cable Set Heater Assembly	
70371301P .....	95, 117
70371401P .....	95, 117
Cam and Hinge Kit	
M4772P3 .....	55
M4773P3 .....	55
Card Reader and Bracket Assembly	
510068P .....	35
Card Reader Harness Assembly	
70211801 .....	35
Card Reader Network Harness Assembly	
70206601 .....	35
Card Reader Overlay	
70334201 .....	27
70334301 .....	27, 49
Center Cylinder Seal Assembly	
70066004 .....	69
Center Pan	
70252401 .....	71
Center Partition	
70252601 .....	71
Circuit Board Support	
501523 .....	75
Circuit Breaker	
M412401 .....	121
M412406 .....	121
M412407P .....	121
70256901P .....	121
Clevis Pin	
70389201 .....	97
Coin Chute Assembly	
70296401 .....	59
Coin Cover Overlay	
70246301 .....	25
Coin Drop	
38963P .....	29
39748 .....	29
70256402P .....	29
70429001 .....	29
70441601P .....	29
Coin Drop Assembly	
210195 .....	29

N/A items do not appear in index.

210196	29	70454001P	51
38462P	29	70454101P	53
38463	29	70462301P	19
38464P	29	70462302P	19
38467	29	70462361P	19
38472	29	70462362P	19
38475	29	Control Box Base	
38519	29	44065301	75
38521	29	Control Box Cover	
39157	29	44065201	75
44039701P	21	Control Box Housing	
44039702	21	44065101	75
44039703	21	Control Box Top	
44039704	21	44065401	75
44039705	21	Control Chassis Mounting Bracket	
44039706	21	70357901	15, 17
44039707	21	Control Door Assembly	
70441602	29	70363401	15
70447301	29	Control Harness	
70471601	29	70426501P	75
70482401	29	Control Housing Cover	
Coin Drop Kit		70307002	43
CK077	29	Control Kit	
Coin Drop Overlay		505905P	33, 35
39564	25	70228401P	23
Coin Identification Paper		Control Overlay	
38725	29	44194801	39
Coin Vault Assembly		70410001	39
70180101	59	70410002	39
Coin Vault Switch Harness		70449501	39
70364104P	15, 19, 25, 33, 39, 47, 59	70473001	47
Coin Vault Trim		70473002	47
70117502	59	70473003	49
Communication Board		70473301	39
210095P	45	Control Panel	
Communication Connector		70121501B	57
210099	45	70121501*	57
Communication Wire Harness Assembly		70121502	57
800246	37, 43	70121505*	57
Compression Spring		70121506	57
70467601	79	70273301B	57
Contact Block		70273301*	57
44018701	61	70273302	57
Contact Block Switch		70273303*	57
F200233401	61	70273304	57
Contact Switch		70273305*	57
F8069501	61	70273306	57
Contacting		70273308B	57
70323701P	101, 103, 109, 111, 115	Control Panel and Door Hinge Kit	
70343301P	119, 121	M4774P3	55, 57
Control		Control Panel Harness	
44063801P	75	44240301	51, 53
Control Assembly		70315501P	25, 27, 33, 35
511867P	25, 27	70315601P	19
512199P	15	70335301P	23
512202P	17	70367001P	17
513139P	15	70368001P	25, 27, 33, 35
70434101P	51, 53	70369001	15
70437102P	53	70382701P	23
70437103P	53	70398401	15
70437104P	53	70410401P	39, 41, 47, 49
70437105P	53	Control Panel Harness Assembly	
70450501P	39, 41	70315701	19
70450502	47, 49	Control Plate and Studs Assembly	
70450503	39, 41	70440901	53
70450504	47, 49		

N/A items do not appear in index.

Control Plate Assembly		Din Rail	
44040901 .....	21	M412693 .....	101, 103, 109, 111, 115, 121
44041001 .....	21	Display Assembly	
70175805 .....	23	512218P .....	17
70175806 .....	23	Door Assembly	
70175807 .....	25, 33	44046701 .....	55
70336501 .....	49	44058001P .....	55
70348801 .....	27, 35, 41	70064100 .....	55
70360601 .....	17	70212200 .....	55
70419701 .....	33	70212301 .....	55
70432101 .....	51	70408901 .....	55
70475601 .....	51	Door Catch Assembly	
Control Plate Kit		514113 .....	65
44050701P .....	19	Door Glass	
70291001P .....	39, 47	M400784P .....	55
Control Set		70133601P .....	55
70370001 .....	15	Door Glass Installation Tool	
70370101P .....	15	M4221P4 .....	55
70370201P .....	17	Door Glass Seal Kit	
Control Tray		70211901P .....	55
70469201 .....	101, 103, 109, 111, 115	Door Handle	
Control Tray Harness		M400133 .....	55
70464701 .....	99, 107, 113	430117 .....	55
Control Trim		44007902P .....	55
44016301 .....	59	44057701 .....	55
44016401 .....	59	Door Handle Wedge	
Cylinder and Trunnion Assembly		510129 .....	65
70443701 .....	67	Door Hinge	
70443702 .....	67	70116003* .....	55
70443703 .....	67	70116004 .....	55
70443801 .....	67	70116005B .....	55
70443802 .....	67	Door Hinge Lug Assembly	
70443803 .....	67	44035001 .....	55, 65
Cylinder Assembly		44035002 .....	55
70372701P .....	67	Door Interlock	
70372702P .....	67	M412369 .....	121
70372703 .....	67	Door Latch	
70372801P .....	67	M401223 .....	59
70372802P .....	67	Door Pull and Wedge Kit	
70372803 .....	67	510103*P .....	65
Cylinder Bearing Stud Plate Assembly		Door Ring	
430352 .....	69	70081801 .....	55
Cylinder Guide Tool		70399701B .....	55
263P4 .....	69	Door Ring and Handle Assembly	
Cylinder Idler Arm		44043501 .....	55
70259901 .....	77	Door Ring Assembly	
Cylinder Motor Harness Assembly		70455001B .....	55
70401001 .....	69, 77	Door Ring Gasket	
70401101 .....	69, 77	70296801 .....	55
70439701 .....	69, 77	Door Strike	
70440101 .....	69, 77	510181 .....	65
70465801 .....	69, 79	Door Switch Actuator Kit	
Cylinder Rib Assembly		70215001P .....	55
70433001 .....	67	Double Ended Stud	
70433003 .....	67	70334701 .....	77
Cylinder Shroud		Drive Access Cover	
70427201 .....	71	70196301 .....	81
70427202 .....	71	70202501 .....	77
70427301 .....	71	Drive Motor	
70427302 .....	71	70337801P .....	77
		70338101P .....	77
		70459001 .....	79
		Drive Motor Kit	
		70337901P .....	77
		70338001P .....	77

## D

Damper and Hinge Exhaust Assembly	
70209501 .....	81

N/A items do not appear in index.

Drive Motor Plate 70464301 .....	79
Drive Rivet M400713 .....	75
Drum Idler Spring 70045301 .....	77
Drywall Screw Magnet Kit 70343101P .....	67, 69

## E

Earth Terminal Sticker M412096 .....	103, 105, 111, 115
Elbow 70079601 .....	93
70208701 .....	91
70428101 .....	73
Electric Contactor Jumper Set Harness 70355801P .....	117
Electric Power Buss Harness 70335501P .....	117
70439601 .....	117
Electrical Box Access Cover 70133901 .....	121
Electronic Coin Drop Assembly 70294103P .....	29
70294104 .....	29
70294105P .....	29
70294106 .....	29
70294107 .....	29
70294111 .....	29
70294116 .....	29
70294117 .....	29
70294119 .....	29
70294120 .....	29
70294121 .....	29
Electronic Coin Drop Harness 44065801 .....	29
Electronic Coin Drop Kit CK099 .....	31
CK100 .....	31
CK101 .....	31
CK103 .....	31
CK108 .....	31
CK109 .....	31
CK113 .....	31
CK115 .....	31
CK116 .....	31
CK117 .....	31
CK118 .....	31
CK119 .....	31
CK120 .....	31
CK121 .....	31
CK122 .....	31
Electronic Control 44037801P .....	21
Electronic OPL Control Kit M4689P3 .....	23
M4695P3 .....	23
Emergency Stop Contact Harness 70364105P .....	61
Emergency Stop Harness 70364106P .....	61
Emergency Stop Label M412235 .....	61

Emergency Stop Pushbutton F200233500 .....	61
End Cap 70070101 .....	67
70070102 .....	67
End Stop 70121001 .....	119, 121
Ethernet Gateway Kit NK320 .....	39, 41, 51
Exhaust Thimble 70017801 .....	81
Expansion Clip 70030501 .....	59, 101, 103, 105, 109, 111, 115, 119, 121
Extension Handle M412371P .....	121
70342501P .....	103, 111

## F

False Front 70000501*P .....	57
70000502 .....	57
70024202P .....	57
False Front Assembly 70024201*P .....	57
Fan Motor Harness Assembly 70401201 .....	81
70401301 .....	81
70439801 .....	81
70440201 .....	81
Ferrite Core Assembly M413930P .....	23, 119, 121
Fill Hose Kit 38349P .....	75
Filter 70429401 .....	97
Finger Guard M412366 .....	103, 111
M412367 .....	121
Fire Suppression System Label 44128901 .....	57
Flat Top 70000301 .....	71
70059801 .....	71
Foam Gasket 70414101 .....	15, 17, 19, 21, 23, 25, 27, 33, 35, 39, 41, 47, 49
Front Panel Assembly 44115401*P .....	57
44115501 .....	57
44115601* .....	57
44115701P .....	57
44115801* .....	57
44115901 .....	57
44116001* .....	57
44116101P .....	57
44116201*P .....	57
44116301 .....	57
Front Panel Seal 70173401P .....	57
Fuse M413621 .....	101, 105, 109, 111, 115
70406501 .....	23, 101, 105, 109, 111, 115

N/A items do not appear in index.



70406601 .....	101, 105, 109, 111, 115
70406701 .....	101, 105, 109, 111, 115
Fuse Bracket	
70306901 .....	101, 105, 109, 111, 115
70313601 .....	101, 105, 109, 111, 115
70313602 .....	101, 105, 109, 111, 115
Fuse Holder	
M413544P .....	101, 105, 109, 111, 115
44155601P .....	101, 105, 109, 111, 115
Fuse Holder Body	
70329401P .....	101, 105, 109, 111, 115
Fuse Holder Cap	
70329501 .....	101, 105, 109, 111, 115

## G

Gas Burner	
70229801P .....	89
Gas Disconnect Harness	
70342101 .....	99, 107
70440501 .....	99, 107
Gas Line Assembly	
70271201 .....	91
Gas Shut-Off Valve	
M412562P .....	93
Gas Valve	
44154501P .....	91
44154502P .....	91
Gas Valve Bracket	
70233301 .....	93
70429801 .....	91
Gas Valve Coil	
70260101 .....	93
Gas Valve Cover	
70381001 .....	89
70429901 .....	91
Gasket	
70247601 .....	65
70392701P .....	81
Graphic Overlay	
44050401 .....	19
44050501 .....	19
44050502 .....	19
44239401 .....	19
44239402 .....	19
44240501 .....	19
Ground Lug Connector	
M411283 .....	119, 121

## H

Hairpin Cotter	
70389301 .....	97
Handle	
70268001 .....	121
Handle and Caps Assembly	
70154401 .....	63
70154402 .....	63
Handle Bar	
70399502B .....	55
Handle Bumper	
70407205 .....	63

Harness Assembly	
M412997 .....	91, 97
Heater Element	
70034401P .....	95
70034402P .....	95
70034403P .....	95
70034414P .....	95
70034415P .....	95
70034416P .....	95
70034417 .....	95
High Voltage Lead	
70006201 .....	99
High Voltage Suppression Cable	
44239702 .....	99
Hinged Door	
70267701*P .....	65
Hold-Down Clip	
35865 .....	71
Hole Plug	
44024201 .....	55
70063201 .....	71
Hose	
44073304 .....	75
Hose Clamp	
36801 .....	75
Hose Fitting	
44069101 .....	75

## I

ICM Reset Label	
70411001 .....	103, 105
Idler Bracket	
70443301 .....	77
Idler Holder	
70464501 .....	79
Idler Spacer	
70464601 .....	79
Idler Wheel Assembly	
70050401P .....	77, 79
Igniter Cover	
70159601 .....	89
Ignition Control	
70367301P .....	101
70367401P .....	103
70458601P .....	101
70458701 .....	103
Ignition Control Harness	
70316301 .....	99
70316401 .....	99
Insulator	
M413862 .....	101, 103, 109, 111, 115
Interlock Contactor	
F330186P .....	101, 103, 109, 111, 115

## J

Jumper Assembly	
70138801 .....	117
70138901 .....	117
70139001 .....	117
70139101 .....	117

N/A items do not appear in index.

Jumper Bar	
70066501 .....	95
Jumper Cable Assembly	
M413933 .....	117
M413934 .....	117
M414121 .....	117
Jumper Calibration Assembly	
70084303 .....	23
Jumper Calibration Wire	
70324601 .....	15, 17, 25, 27, 33, 35, 39, 41, 47, 49, 51, 53
Jumper Configuration Assembly	
M413507 .....	99, 107, 113
M413510 .....	99, 107, 113
Jumper Disconnect Assembly	
70120901 .....	99, 107
Jumper Harness Assembly	
M413504 .....	99, 107
M413505 .....	99, 107, 113
M413506 .....	99, 107, 113
M413508 .....	99, 107, 113
M413509 .....	113
Jumper Strip	
M400869 .....	95
Jumper Wire	
44014601 .....	117
44014701 .....	117
44014801 .....	117
70066601 .....	95
Junction Box Harness	
70315801 .....	99, 107, 113

## K

Key	
70144101 .....	81
70155601 .....	59
70155602 .....	59
Kickplate	
70117601 .....	63
70117602 .....	63

## L

Label	
44108201 .....	57
44190901 .....	57
70414001 .....	55
Leveling Leg	
34319 .....	71
Light	
801431 .....	15
801432 .....	75
Limit Thermostat	
M409443 .....	95
M410542 .....	89, 95
M411307 .....	81
70299001 .....	89
Lint Panel Assembly	
70176601*P .....	63
70176602P .....	63
70176604 .....	63
70176605* .....	63

70176606 .....	63
70176607* .....	63
70176608 .....	63
70176609* .....	63
70176610 .....	63
70176611* .....	63
70176612 .....	63
Lint Panel Gasket	
70289101P .....	63
Lint Panel Switch Bracket	
70277301 .....	71
Lint Screen	
70325601 .....	71
Lint Screen Clip	
70054501 .....	71
Lint Switch Bracket Assembly	
70283701 .....	65
Lock Shim	
70342401 .....	59
Lock, Key and Nut Kit	
44089301P .....	59, 75
44089302P .....	59
Lower Rear Panel	
70290101 .....	81
L.P. Conversion Kit	
M4699P3 .....	91, 93
M4703P3 .....	91, 93
M4706P3 .....	91
L.P. Valve	
70457302P .....	93

## M

Main Harness	
70441301 .....	15, 17, 23, 25, 27, 39, 41, 51, 53
70467801 .....	15, 17, 23, 25, 27, 33, 35, 39, 41, 47, 49, 51, 53
Male Tab Terminal	
00177 .....	15, 17, 21
Manual Reset Thermostat	
M411945 .....	81
70186301 .....	89
Membrane Switch	
M414368 .....	23
44037901P .....	21
44039402P .....	21
Mixing Valve	
36958P .....	75
Moisture Sensor Harness Assembly	
70448901 .....	83
Moisture Sensor Test Wires	
70468901 .....	83
Motor Bracket	
70464101 .....	79
Motor Capacitor	
M410296 .....	77
70211401 .....	77
70211501 .....	81
70211502 .....	77
Motor Channel	
70261701 .....	77
Motor Conduit Mounting Bracket	
70321701 .....	77, 81

N/A items do not appear in index.

Motor Contactor Harness	
44142601P .....	99, 107, 113
70320201 .....	99, 107, 113
70469301 .....	99, 107, 113
Motor Mount Bracket	
70127301 .....	77
Motor Plate Cover	
70464201 .....	79
Motor Pulley	
70284202 .....	77
70284204 .....	77
70457401 .....	79
Mounting Bracket	
70063501 .....	23
Mounting Plate	
70208801 .....	27, 35, 41, 49
Mounting Switch Base	
M412186 .....	121
M412187P .....	103, 111

M404993 .....	71
M412986 .....	69, 77, 79
M414215 .....	55
21899 .....	71
23951 .....	63
24205 .....	15, 17
27222 .....	77, 79
29786 .....	15
29787 .....	17, 19, 21
29796 .....	77
430576 .....	71
44071201 .....	55
44087201 .....	67
44088801 .....	59
51236 .....	63
56156 .....	77
70054 .....	15, 17, 23, 25, 27, 33, 35, 39, 47, 51, 53, 55, 95
70466601 .....	79
N.G. Valve	
70457301P .....	93

## N

Nameplate	
B12389801 .....	59
44062901 .....	59
44129901 .....	59
44129902 .....	59
70243901 .....	59
Nameplate Overlay	
44104501 .....	59
44130101 .....	59
44144401 .....	55, 59
70115601 .....	59
70380701 .....	59
70410201 .....	59
70411401 .....	57, 59
70460801 .....	59
Network Board Assembly	
201341 .....	43
210016P .....	37
Network Capacitor Assembly	
M413863 .....	99, 107, 113, 117
Network Capacitor Harness Assembly	
M413878 .....	99, 107, 113
44143401P .....	99, 107, 113
44152001 .....	117
70286501 .....	117
Network Controller Kit	
NK220 .....	39, 41, 51
Network Plug Support	
70201401 .....	37
Network Retrofit Kit	
NK206 .....	39, 41, 51
Network Wire Harness Assembly	
44088501P .....	43
800217 .....	37
Nozzle Bracket	
70424201 .....	73
70428601 .....	73
Nut	
F431025 .....	79
M400022 .....	69, 81
M400034 .....	69, 81
M400035 .....	83

## O

Opto Coupler	
200674P .....	29
Orifice Adapter	
70379301 .....	91
Orifice Holder Bracket	
70248901 .....	91
Orifice Keeper Bracket	
70249001 .....	91
O-Ring	
431482 .....	93
Output Harness	
44186101 .....	51, 53
Overlay	
44130002 .....	23
44144301 .....	33
44144302 .....	33
44147801 .....	33
44149301 .....	35
70115801 .....	23
70128701 .....	23
70129501 .....	25
70129601 .....	25
70130401 .....	23
70130601 .....	23
70184301 .....	33
70184302 .....	33
70184401 .....	35
70257701 .....	25
70257702 .....	25
70257703 .....	27
70258001 .....	25
70258002 .....	25
70258003 .....	27
70258101 .....	25
70259001 .....	25
70261001 .....	25
70261002 .....	25
70261201 .....	25
70261202 .....	25
70286701 .....	25
70321001 .....	25
70362201 .....	17

N/A items do not appear in index.

70362202	17
70362401	17
70362402	17
70362501	17
70362502	17
70362901	15
70363001	15
70410003	41
70432201	51
70445001	53
70445002	53
70445003	53
70445004	53
70453001	25
70453002	25
70453101	27
70462401	53
70462402	53
70462701	53
70462702	53
70462901	53
70462902	53
70472201	53
70472202	53
70472401	53
70472402	53

## P

Panel	
70255801*P	65
70278001*P	65
Panel Locator	
56079	17, 59, 63
PC Board Standoff	
210098	45
Pin	
70071401	55
Pipe Clip	
70203701	89
Pipe Nipple	
70139601	93
901403	93
Pop Rivet	
M405750	91
44166601	59
70058501	55, 71, 97, 121
70058502	119, 121
70126301	63
70126401	63
70412601	55
Porcelain Touch-Up Paint	
122P4P	71
215P4P	71
370P4P	71
Power Distribution Block Cover	
44014901P	119, 121
Power Harness	
70316101P	99, 107, 113
70332201	99, 107, 113
70347701P	99, 107, 113
70438901	99, 107, 113
70439001	99, 107, 113
70445501	99, 107, 113
70464901	99, 107, 113
70465001	99, 107, 113

70469701	99, 107, 113
Primary Air Adjustment Sleeve	
70239801	91, 93
Pushbutton	
44018801	61
Pushbutton Switch	
M413431	105
70413301	25, 27, 33, 35, 39, 41, 47, 49, 59
Push-to-Start Switch	
801434W	75

## R

RC Filter Kit	
M4457P3	23
Rear Bearing Shim	
70355001	69
Rear Cylinder Bearing Housing	
70013901	69
Rear Cylinder Channel	
70257301	67
70257302	67
Rear Cylinder Channel Plate	
70257401	67
Rear Cylinder Seal	
70013702	69
Rear Cylinder Seal Support	
70015301	69
Rear Lint Panel	
70320001	63
Relay	
M412534	21, 23
Relay/Buzzer Bracket	
44041701	21
Replacement Door Handle Kit	
70133501P	55
Replacement Gas Valve Kit	
M4969P3	91
M4971P3	91
Reversing Contactor Harness	
70465301	99, 107, 113
Reversing Control Assembly	
70469901	101, 105, 109, 111, 115
Reversing Control Board Harness	
70471901	99, 107, 113
Rocker Switch	
70455101	15, 17
70461301	17
Roller Bearing Assembly	
70298701P	71
Roller Catch Arm	
70030301	63
Roller Catch Spacer	
70030201	63
Roller Catch Wheel	
70297601	63
Roller Seal	
70443601	71
Roller Shaft	
70249501	71
Rotation Sensor	
F8066201	85

N/A items do not appear in index.

Rotation Sensor Bracket 44044401 .....	85
Rotation Sensor Cover 44044301 .....	85
Rotation Sensor Harness F8066401 .....	85
70476101 .....	85
Rotation Sensor Kit 7009P .....	85

## S

Screw	
F8206901 .....	101, 105, 109, 111, 115
F8368701 .....	79
M400043 .....	79
M400056 .....	77
M400057 .....	79
M400661 .....	55
M402797 .....	21, 23
M402917 .....	101, 103, 109, 111, 115, 119, 121
M405188 .....	89
M409385 .....	55
M411072 .....	81, 101, 103, 109, 111, 115
M412985 .....	77
05161 .....	89
23222 .....	77, 81, 93
33562 .....	119, 121
38272 .....	101, 103
39733 .....	59, 63, 119, 121
430497 .....	37, 43, 59, 67, 71, 73, 75, 77, 79, 81, 87, 89, 91, 93, 95, 101, 103, 109, 111, 115, 119, 121
430648 .....	77
430756 .....	55
430757 .....	55, 63
431484 .....	93
44083001 .....	101, 103
501086 .....	105, 109, 111, 115
501524 .....	15, 17, 25, 27, 33, 35, 39, 41, 47, 49, 51, 53, 55
51780 .....	73, 75, 101, 103, 109, 111, 115, 119, 121
51782 .....	103, 105, 111
51783 .....	101, 103, 109, 115
61199 .....	55
62588 .....	67
70033502 .....	55
70033504 .....	65
70069901 .....	15, 17, 51
70072801 .....	63
70126101 .....	81
70132301 .....	63
70153301 .....	85
70391101 .....	67
70407301 .....	55
Secure Ground Label M403047 .....	101, 103, 105, 109, 111, 119
Sensor Harness 70426601P .....	75
Shadow Box Clip M400972 .....	59
Shaft Collar 70467001 .....	79
Sheet Metal Edge Gasket 70015709 .....	71
70015710 .....	71

Side Panel 70021502*P .....	71
70060102*P .....	71
70253801*P .....	71
70253901*P .....	71
Sleeve 44050601 .....	19
Slip Ring Assembly 44240201 .....	83
Slip Ring Holder 44224401 .....	83
Slot Card Plate Assembly 44089501 .....	27, 41, 49
Snap Bushing M400770 .....	91
M402542 .....	119, 121
70178701 .....	75
Solenoid Valve DIN Connector 70370301P .....	97
Spacer 70471701 .....	79
Spark Electrode 70032801P .....	89
70466501 .....	89
Spray Nozzle 70427801 .....	73
Spray Nozzle Hose 70427701 .....	73
Spray Paint 286P4 .....	71
297P4 .....	71
298P4P .....	71
Spud Adapter 70223501 .....	93
Steam Coil 70369101P .....	97
Steam Configuration Harness 70322401P .....	107
Steam Filter Holder 70369301 .....	97
Steam Solenoid 70351011P .....	97
70351012 .....	97
Steam Stove Limit Bypass Harness 70389901 .....	97
Steam Valve F8322902 .....	97
F8322903 .....	97
70351001P .....	97
Steam Valve Harness Bracket 70369401 .....	97
Steam Valve Rebuild Kit 70351021P .....	97
Steam Valve Wiring Cover 70369501 .....	97
Stove Back 70297401 .....	89
Stove Connectors Cover 70365201 .....	95
Stove Grill 70214901 .....	95
Stove Limit Bypass Harness 70316601 .....	95, 97

N/A items do not appear in index.

Stove Limit Harness 70316501 .....	89
Stove Limit Kit M4902P3 .....	89
Stove Partition 70357201 .....	95
Stove Top and Sides 70333401 .....	89
Street Elbow H86070034 .....	91
Support Bearing 70448701 .....	69
Support Bracket Assembly 70283801 .....	65
Support Rod 70464401 .....	79
Switch 70411901 .....	87
Switch Assembly 70413401 .....	65, 71
Switch Bracket 70356301 .....	87
Switch Hole Plug 44057801B .....	59
44057801Q .....	59
44057801W .....	59

## T

Temperature Knob 44104601 .....	15, 17
Temperature Selector Bracket 70350201 .....	15
Temperature Selector Switch 511711 .....	15, 17
Temperature Selector Switch Bracket 70391701 .....	17
Terminal Block M413865 .....	119, 121
430642 .....	101, 103, 109, 111, 115
Terminal Block Shield 70333001 .....	101, 103, 109, 111, 115
Thermistor M414704 .....	81
44064701 .....	73, 75
Thermistor Plate 70424401 .....	73
Thermostat Cover M414477 .....	89
Top Pan 70252901 .....	71
70253001 .....	71
Transformer M414228P .....	101, 103, 109, 111, 115
M414229P .....	101, 103, 109, 111, 115
M414230P .....	101, 109, 115
M414312P .....	101, 109, 115
44074401 .....	109, 111, 115
Trunion and Seal Kit M4961P3 .....	67
Trunion and Wire Assembly 70454601 .....	67

Tube Assembly 70427601 .....	73
Tumbler Dolly Kit M4379P4 .....	71

## U

Union H86000031 .....	93
Union Tee 70427901 .....	73
USB Gateway Kit NK330 .....	39, 41, 51

## V

Valve Rebuild Kit F8379502 .....	97
-------------------------------------	----

## W

Warning Label M410892 .....	57
44127701 .....	103, 105, 115, 119, 121
Washer M400080 .....	67
M400991 .....	69, 81
M405535 .....	15, 79
70261401 .....	71
70265901 .....	77
70270301 .....	77
70409301 .....	55
70411301 .....	67
Water Hose F200116 .....	75
Wire Clip 36274 .....	101, 103, 109, 111, 115
70366201 .....	101, 103, 109, 111, 115
Wire Guard 201595P .....	29
Wireless Network Kit NK301 .....	39, 41, 51